



# INSTALLATION INSTRUCTIONS

## P11-BCAC-IC2-COVERS / EPP-4044-9/22 TCPN: EN6253-230

**NOTE:** The following instruction sheet (P11) is to be used with the following parts:

**BCAC-IC2-13D/14**

**BCAC-IC2-10.5D/12**

**BCAC-IC2-8.5D/14**

Besides the size and shape, only the latching mechanism may be different per cover.

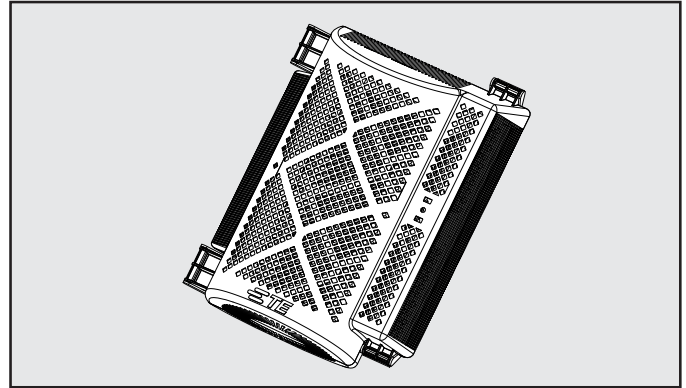
**NOTE:** BCAC-IC2 covers come standard in RED.

If gray is desired, add a "G" in the Description.

I.e., BCAC-G-IC2-13D/14

## TE's Insulation & Protection

BCAC-IC2-13D/14, BCAC-IC2-10.5D/12, BCAC-IC2-8.5D/14



## Safety Instructions

### **⚠ DANGER**

When installing electrical power system accessories, failure to follow applicable personal safety requirements and written installation instructions could result in fire or explosion and serious or fatal injuries.

### **⚠ DANGER**

As TE Connectivity (TE) has no control over field conditions which influence product installation, it is understood that the user must take this into account and apply his own experience and expertise when installing product.

### **⚠ DANGER**

Working around energized high-voltage systems may cause serious injury or death. Installation should be performed by personnel familiar with good safety practice in handling high-voltage electrical equipment. De-energize and ground all electrical systems before installing product.

### **⚠ DANGER**

Power distribution and transmission products must be properly selected for the intended application. It must be installed and serviced by competent personnel who have been trained and understand proper safety procedures. These instructions are written for such personnel and are not a substitute for adequate training and experience in safety procedures.

### **⚠ CAUTION**

Read and understand the contents of these instructions before installation and follow all locally approved procedures and safety practices before installing or operating this equipment.

### **⚠ CAUTION**

These instructions cannot cover all details or variations in the equipment, procedures, or processes described, nor provide directions for meeting every possible contingency during installation, operation, or maintenance. When additional information is desired to satisfy a problem not covered sufficiently for the user's purpose, please contact your TE sales representative. These instructions are not intended to supersede or replace existing safety and operating procedures.

### **NOTICE**

Upon receipt of a product, inspect it thoroughly for damage and loss of parts incurred during shipment. If damage or loss is discovered, file a claim with the carrier immediately or contact your TE representative.

## Customer Service

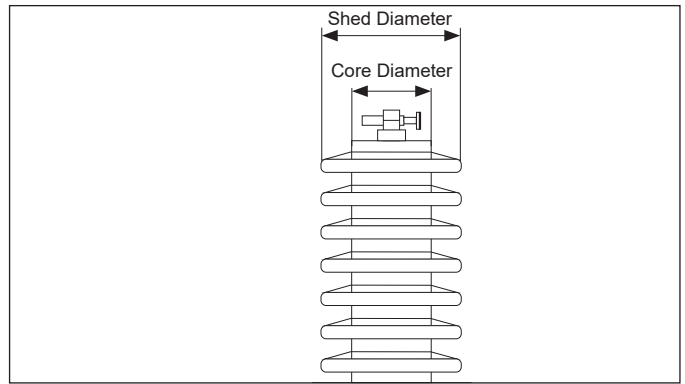
For 24 hour customer service, call 800-327-6996.

The Information contained in these installation instructions is for use only by installers trained to make electrical power installations and is intended to describe the correct method of installation for this product. However, TE Connectivity (TE) has no control over the field conditions which influence product installation. It is the user's responsibility to determine the suitability of the installation method in the user's field conditions. TE's only obligations are those in TE's standard Conditions of Sale for this product and in no case will TE be liable for any other incidental, indirect or consequential damages arising from the use or misuse of the products.

Raychem, TE, TE Connectivity and TE connectivity (logo) are trademarks. © 2022 TE Connectivity. All Rights Reserved.

## Size Selection Chart

Kit Name	Bushing/ Insulator Shed Diameter	Bushing/ Insulator Core Diameter	Cover Height
	Inches (mm)	Inches (mm)	Inches (mm)
BCAC-IC2-13D/14(B3)	10.0-13.0 (255-330)	5.5-9.25 (140-235)	14 (356)
BCAC-G-IC2-13D/14(B3)	10.0-13.0 (255-330)	5.5-9.25 (140-235)	14 (356)
BCAC-IC2-10.5D/12(B3)	7.5-10.5 (190-267)	3-8.5 (76-216)	12 (305)
BCAC-G-IC2-10.5D/12(B3)	7.5-10.5 (190-267)	3-8.5 (76-216)	12 (305)
BCAC-IC2-8.5D/14(B3)	5.5-8.5 (140-216)	2.5-6.5 (64-216)	14 (356)
BCAC-G-IC2-8.5D/14(B3)	5.5-8.5 (140-216)	2.5-6.5 (64-216)	14 (356)

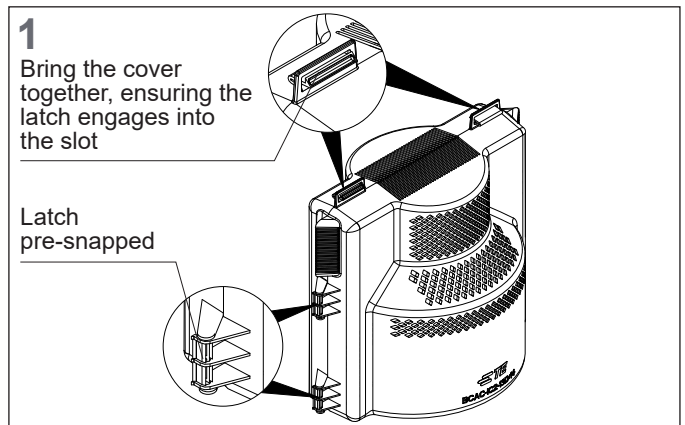


## Prepare cover for installation

The two-piece cover comes snapped together.

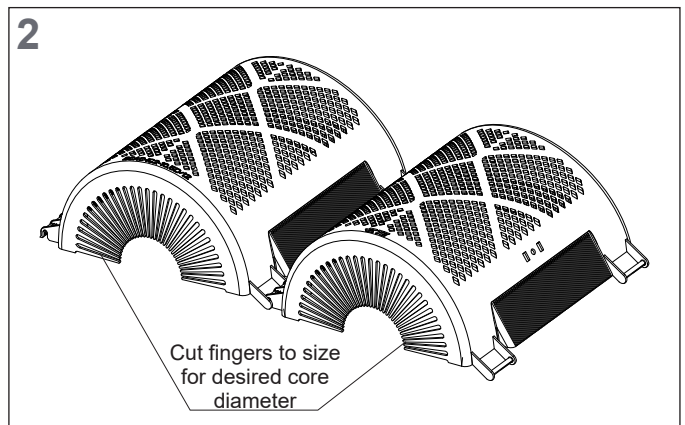
### **NOTE**

The various IC2 (2-piece) covers have different latching designs.



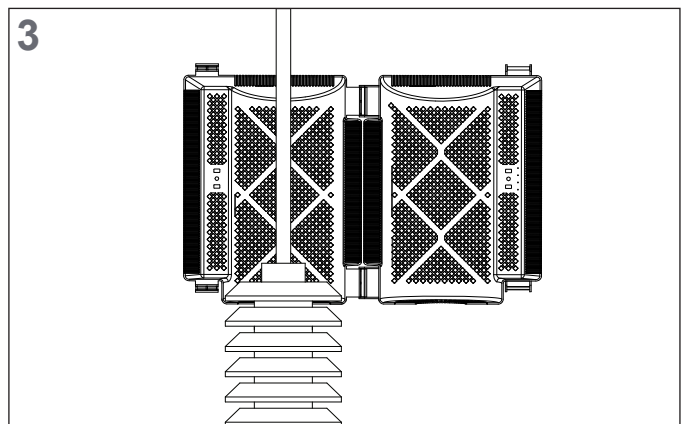
## Trim fingers

Using the cutters, trim the fingers on the bottom of the cover to fit the core diameter (if needed).



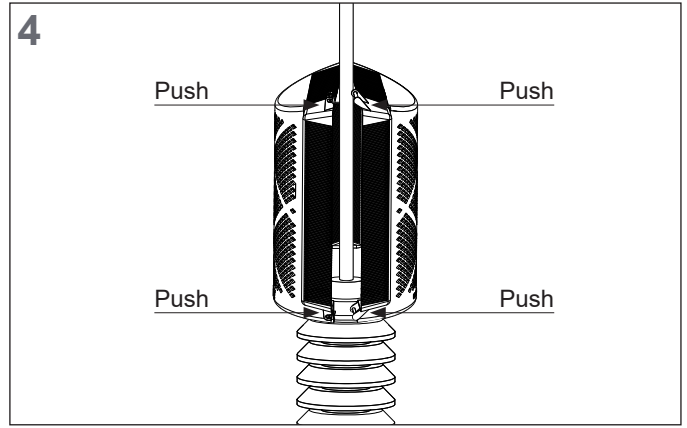
## Position the cover on the bushing

Position the cover between the first and second skirt of the bushing. When using cover on a termination, also position it between the first and second skirt.

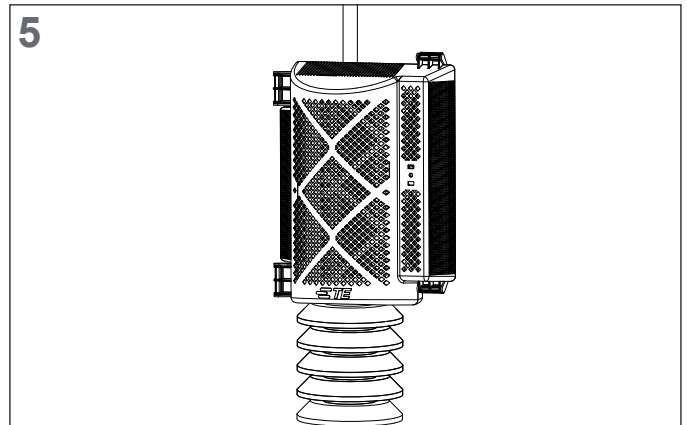


## Latch the cover

Close the cover by bringing the two outer pieces together. Snap both the upper and lower latches together by pushing on the outside of the cover.



Completed installation.



For more information: [te.com/energy](http://te.com/energy)

**TE Connectivity**  
8000 Purfoy Road  
Fuquay-Varina, NC 27526 USA  
Tel: (+1) 800-327-6996

Please dispose of all waste according to environmental regulations.

