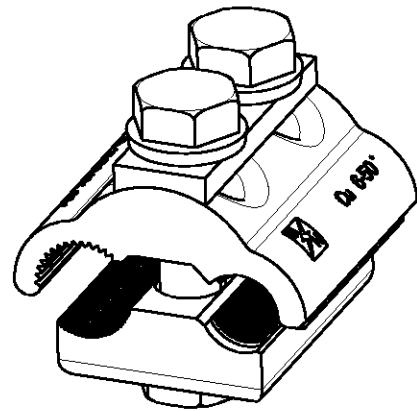
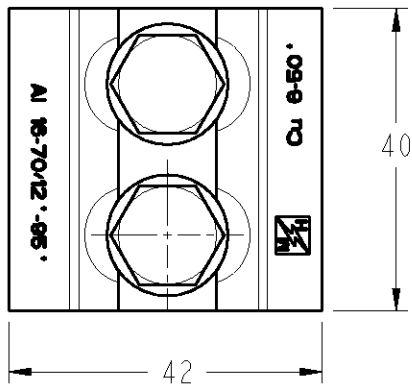
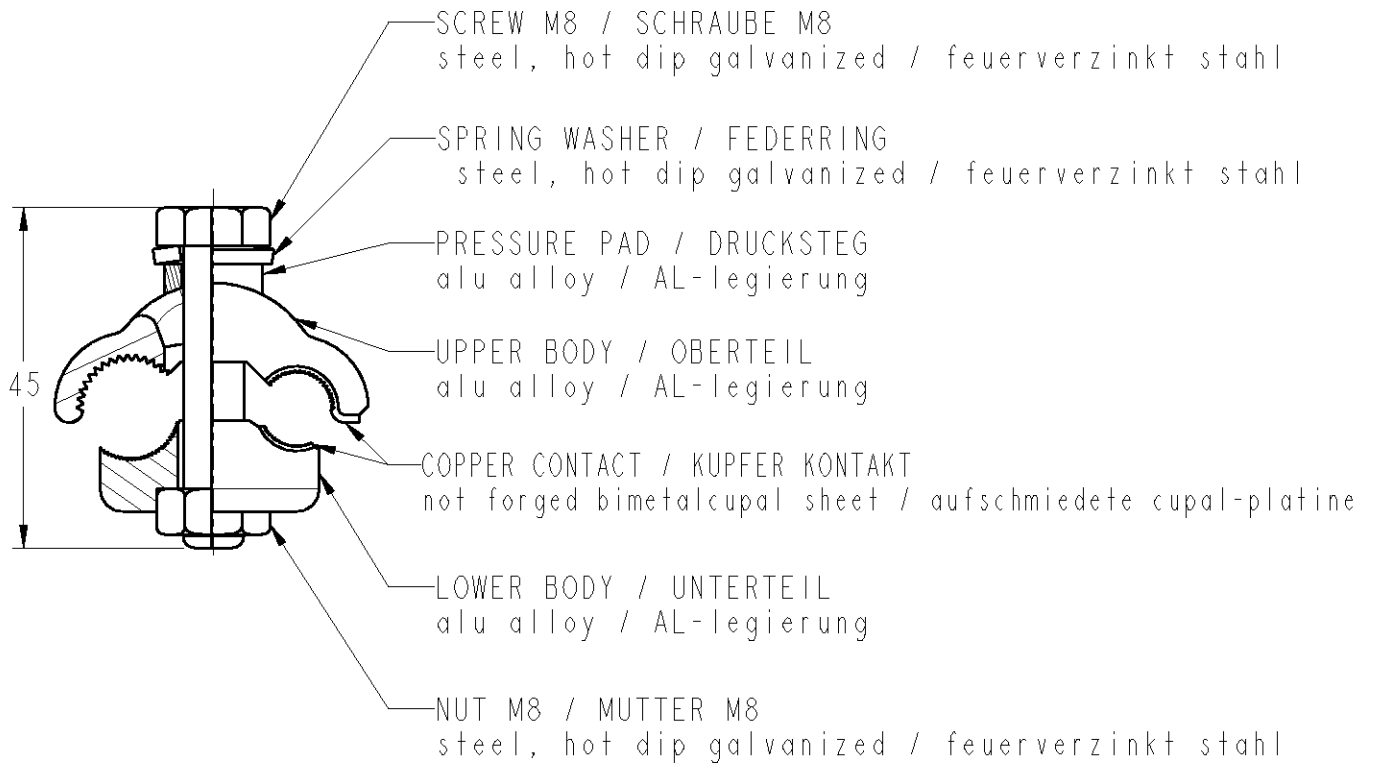


LOC	DIST	REVISIONS					
FH	2	P	LTR REV	DESCRIPTION MODIFICATIONS	DATE	DWN DESS.	APVD APP.
			I	CREATION	20MAR2007	FB	AG
	A	MARKING MODIFICATION	08SEP2008	LP	AG		



Capacity / Klemmbereich : 16-70 mm² AL
 6-50 mm² CU
 16/2.5-70/12 mm² AL/St

Tightening torque / Anzugsmoment : 22 N.m

TOLERANCES UNLESS OTHERWISE SPECIFIED	-
TOLERANCES NON SPECIFIEES:	-
FINISH	-
FINITION	-

20
 RELEASED FOR PUBLICATION
 LIBRE A LA DIFFUSION
 THIS DRAWING IS UNPUBLISHED.
 DIFFUSION RESTREINTE
 BY TYCO ELECTRONICS CORPORATION. ALL RIGHTS RESERVED.
 TOUS DROITS RESERVES.
 COPYRIGHT 20

DIMENSIONS: mm TOLERANCES UNLESS OTHERWISE SPECIFIED TOLERANCES NON SPECIFIEES (SUIV. NB DE DECIMALES): 0 PLC / DEC: ±0 1 PLC / DEC: ±0 2 PLC / DEC: ±0 3 PLC / DEC: ±0 4 PLC / DEC: ±0 ANGLES ±	DWN / DESSINE F. BOARD 20MAR2007 CHK / VERIFIE G. NEDELLEC APVD / APPROUVE A. GUICHARD PRODUCT SPEC SPEC. PRODUIT APPLICATION SPEC SPEC. APPLICATION	MATERIAL MATIERE - FINISH FINITION -	Tyco Electronics SIMEL PRODUCTS NAME TITRE HEL-3909 SIZE FORMAT A4 CAGE CODE - DRAWING NO No PLAN C-1-1198999-9 RESTRICTED TO RESERVE A -
	WEIGHT MASSE APPROX. - g CUSTOMER DRAWING / PLAN CLIENT UNIQUEMENT POUR REFERENCE SCALE ECHELLE : SHEET FEUILLE OF DE REV A		