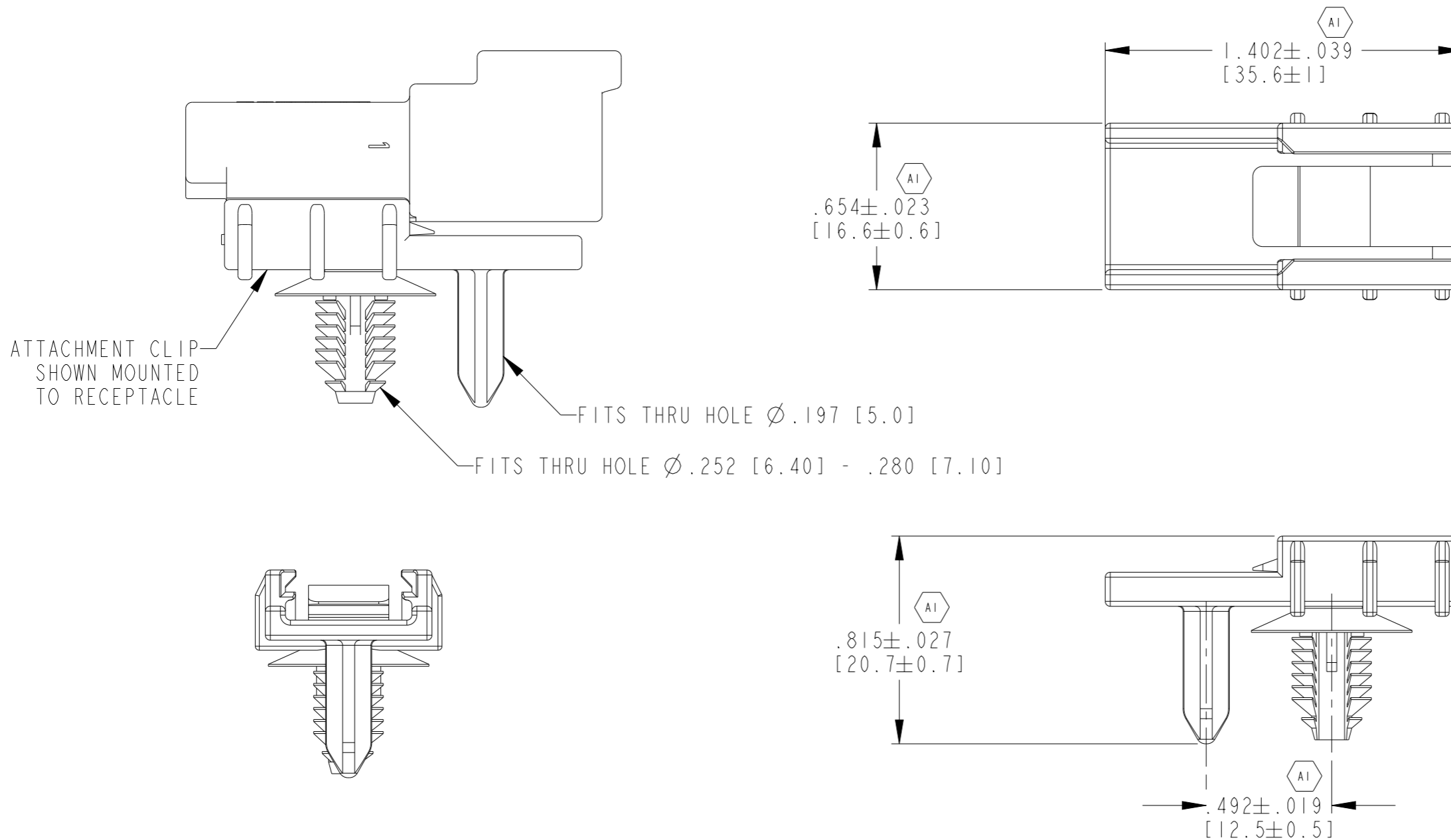


REVISIONS

P	LTR	DESCRIPTION	DATE	DWN	APVD
	NC	NEW RELEASE PER E.O. P19587	20JUL2007	RM	RDR
	A	SEE PCN: E-20-015876	20NOV2020	VNB	GL
	AI	SEE PCN: E-21-003111	11MAR2021	PN	GL



3. RECOMMENDED PANEL THICKNESS: .028 [0.70] - .201 [5.10].

2. THIS CLIP MATES WITH DT04-2P/3P/4P/6P/12P AND DTM04-2P THRU 12P.

1. COLOR: BLACK

NOTES:

THIS DRAWING IS A CONTROLLED DOCUMENT.		DWN R. MESSENGER 13 JUL 2007												
DIMENSIONS: IN [mm]		CHK J. APOSTOL 20 JUL 2007												
TOLERANCES UNLESS OTHERWISE SPECIFIED: ±.025 [0.63]		APVD S. BEARD 20 JUL 2007												
<table border="1"> <tr><td>0 PLC</td><td>±</td></tr> <tr><td>1 PLC</td><td>±</td></tr> <tr><td>2 PLC</td><td>±</td></tr> <tr><td>3 PLC</td><td>±</td></tr> <tr><td>4 PLC</td><td>±</td></tr> <tr><td>ANGLES</td><td>±</td></tr> </table>		0 PLC			±	1 PLC	±	2 PLC	±	3 PLC	±	4 PLC	±	ANGLES
0 PLC	±													
1 PLC	±													
2 PLC	±													
3 PLC	±													
4 PLC	±													
ANGLES	±													
MATERIAL PA66		FINISH -	NAME ATTACHMENT CLIP FOR RECEPTACLES FIR TREE STUD MOUNT DT AND DTM SERIES											
		WEIGHT -	SIZE A3	CAGE CODE 00779	DRAWING NO G-1011-310-0205	RESTRICTED TO -								
		CUSTOMER DRAWING	SCALE 2:1	SHEET 1	OF 1	REV AI								