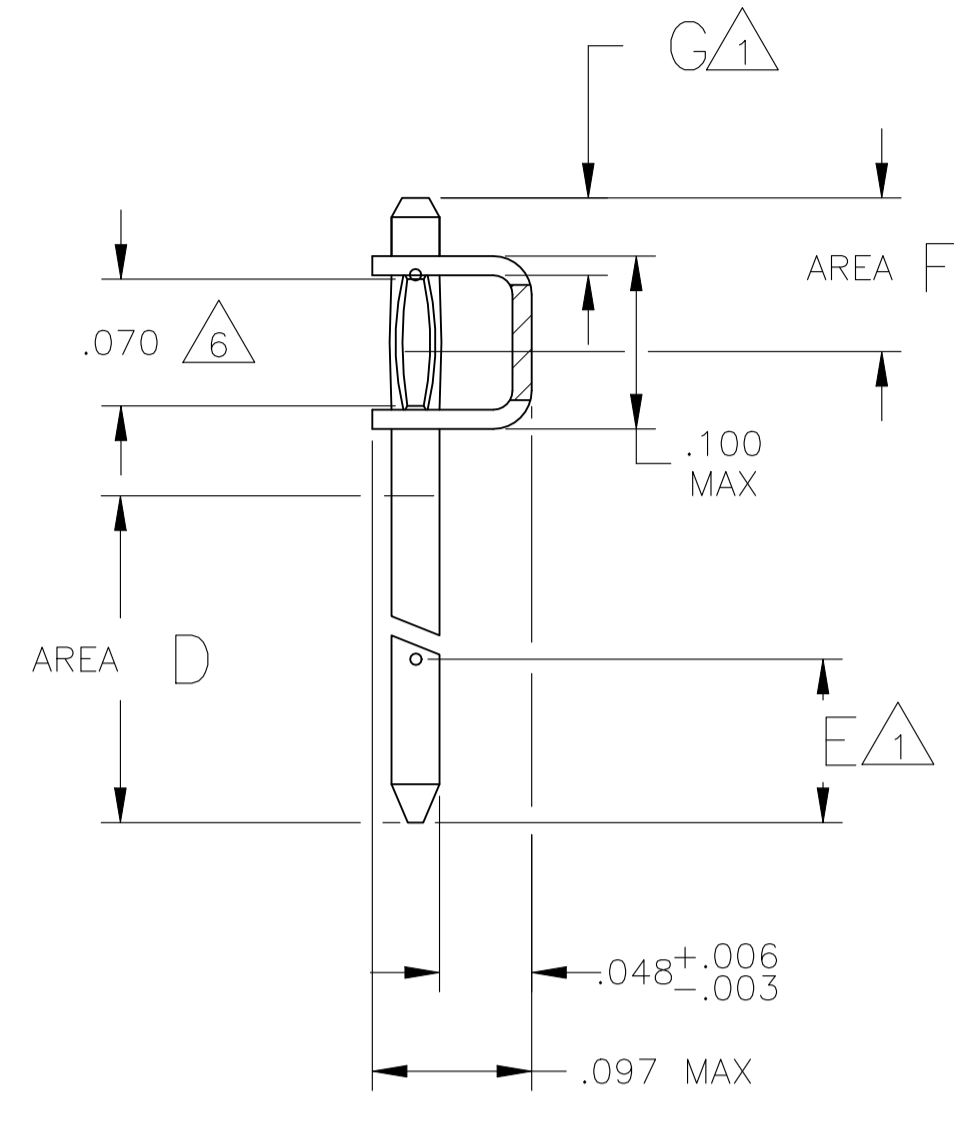
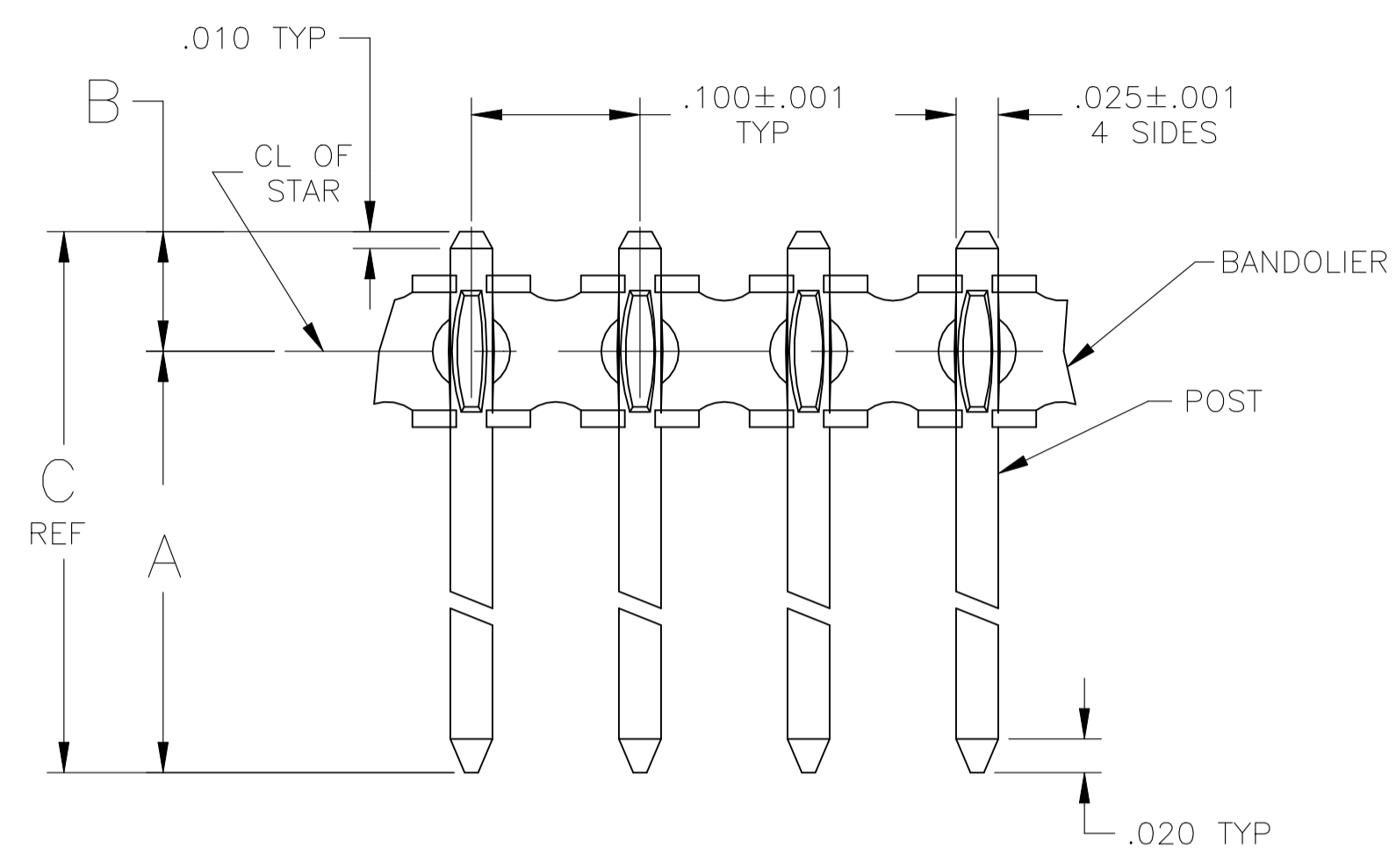


REVISIONS				
P	LTR	DESCRIPTION	DATE	APP'D
G5		OBSOLETE THE PN 6-103577-9	12OCT2023	SP JK



NOTES:

- 1 POINT OF MEASUREMENT FOR PLATING THICKNESS
- 2 .000030 GOLD ON AREA D, .000100 - .000200 MATTE TIN-LEAD ON AREA F, ALL OVER .000050 - .000100 NICKEL ENTIRE POST
- 3 .000100 - .000200 BRIGHT TIN-LEAD OVER .000050 - .000100 NICKEL ENTIRE POST
- 4. RECOMMENDED P.C.BOARD HOLE SIZE:

P C BOARD THICKNESS	PLATED HOLE SIZE	UNPLATED HOLE SIZE
.062	.034±.002	.036±.002
.093	.034±.002	.036±.002
.125	.034±.002	.036±.002
- 5 .000015 GOLD ON AREA D, .000100 - .000200 MATTE TIN-LEAD ON AREA F, ALL OVER .000050 - .000100 NICKEL ENTIRE POST.
- 6 DIMENSION PERTAINS TO THE LENGTH OF THE INTERFERENCE AREA OF THE STAR.
- 7 PRELIMINARY PART - NOT RELEASED FOR PRODUCTION.
- 8 .000030 GOLD ON AREA D, .000100-.000200 MATTE TIN ON AREA F. ALL OVER .000050 - .000100 NICKEL ENTIRE POST.
- 9 .000100-.000200 MATTE TIN OVER .000050 - .000100 NICKEL ENTIRE POST.
- 10 .000015 GOLD ON AREA D, .000100-.000200 MATTE TIN ON AREA F, ALL OVER .000050 - .000100 NICKEL ENTIRE POST.
- 11 ROHS 2002/95/EC COMPLIANT.
- 12 OBSOLETE PARTS: OBSOLETE CIS STREAMLINING PER D.RENAUD/D.SINISI

12	OBSOLETE	.245	10	.015	.080	.080	.230	.451	.071	.380	11	6-103577-9
12	OBSOLETE	.235	10	.015	.080	.100	.185	.341	.071	.270	11	6-103577-7
		.283	10	.015	.080	.100	.185	.389	.071	.318	11	6-103577-5
12	OBSOLETE	.318	10	.015	.080	.100	.200	.424	.071	.353	11	6-103577-3
		.235	9	-	-	-	-	.341	.071	.270	11	6-103577-1
12	OBSOLETE	.283	9	-	-	-	-	.389	.071	.318	11	5-103577-9
12	OBSOLETE	.318	9	-	-	-	-	.424	.071	.353	11	5-103577-7
		.235	8	.015	.080	.100	.185	.341	.071	.270	11	5-103577-5
		.283	8	.015	.080	.100	.185	.389	.071	.318	11	5-103577-3
		.318	8	.015	.080	.100	.200	.424	.071	.353	11	5-103577-1
12	OBSOLETE	.245	5	.015	.080	.080	.230	.451	.071	.380		1-103577-9
		.235	5	.015	.080	.100	.185	.341	.071	.270		1-103577-7
		.283	5	.015	.080	.100	.185	.389	.071	.318		1-103577-5
		.318	5	.015	.080	.100	.200	.424	.071	.353		1-103577-3
		.235	3	-	-	-	-	.341	.071	.270		1-103577-1
12	OBSOLETE	.283	3	-	-	-	-	.389	.071	.318		103577-9
		.318	3	-	-	-	-	.424	.071	.353		103577-7
		.235	2	.015	.080	.100	.185	.341	.071	.270		103577-5
		.283	2	.015	.080	.100	.185	.389	.071	.318		103577-3
		.318	2	.015	.080	.100	.200	.424	.071	.353		103577-1
	MATING HEIGHT ABOVE BOARD (REF)	FINISH	G	F	E	D	C	B	A			ASSEMBLY PART NUMBER

THIS DRAWING IS A CONTROLLED DOCUMENT.

DIMENSIONS: INCHES	TOLERANCES UNLESS OTHERWISE SPECIFIED:	DIN G DOUTY 12AUG87	TE Connectivity
0 PLC ± -	1 PLC ± -	CIK 12SEP87	ASSEMBLY, BANDOLIER, .100 CL, .025 SQUARE POSTS
2 PLC ± -	3 PLC ± .005	RFIIDT 12SEP87	RESTRICTED TO
4 PLC ± -	ANGLES ± -	NAME	SCALE 10:1 SHEET 1 OF 1 REV G5
MATERIAL BANDOLIER - BRASS	FINISH BANDOLIER - NONE	APPROVED R. ELICKER	WEIGHT -
POST-PHOS BRONZE	POST-SEE TABLE	APPLICATION SPEC	SIZE A1 00779 C=103577
		CUSTOMER DRAWING	