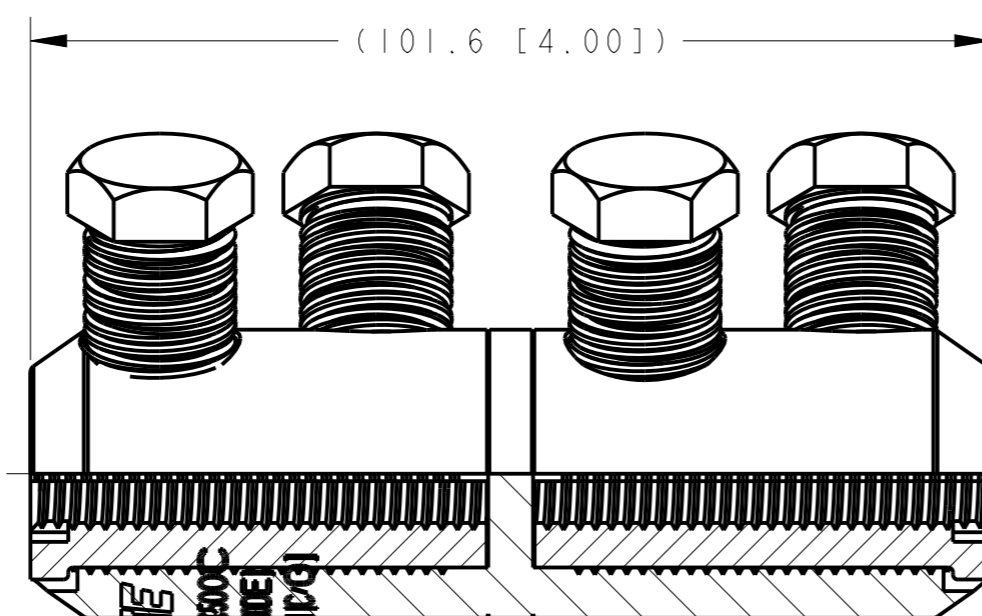
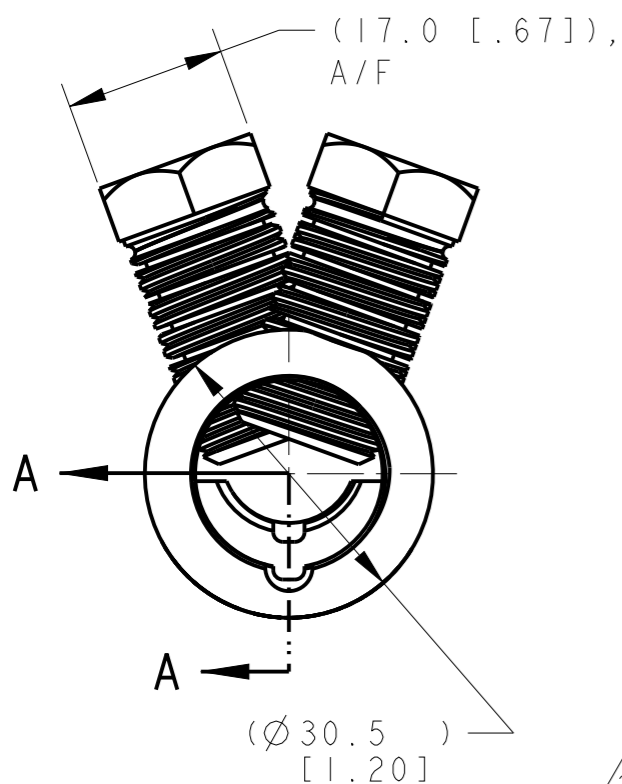
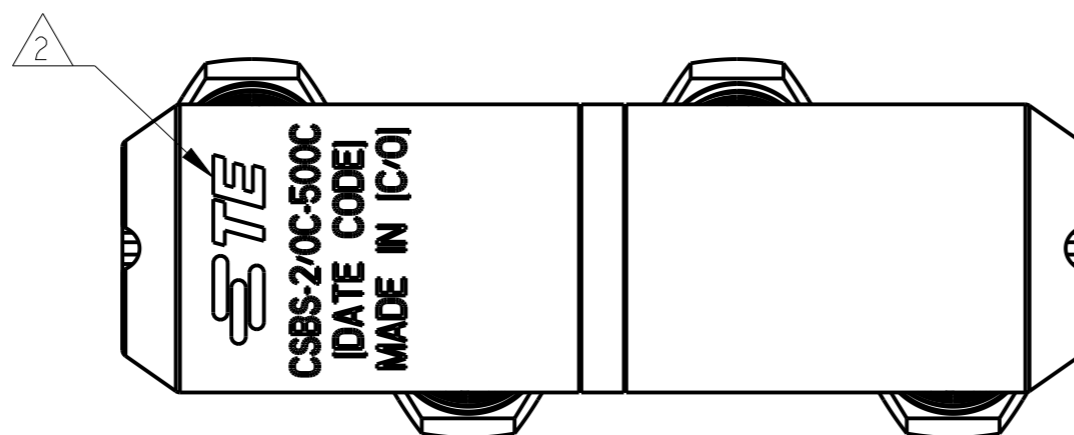


THIS DRAWING IS UNPUBLISHED. RELEASED FOR PUBLICATION 20
© COPYRIGHT 20 BY - ALL RIGHTS RESERVED.

LOC	DIST	REVISIONS			
P	LTR	DESCRIPTION	DATE	DWN	APVD
GA	I	E	LC20-0190-08 / ECO-08-020395	15AUG2008	DM BJ
		G	LC20-0138-11 / ECO-11-022255	02NOV2011	DM BJ
		H	LC20-0009-12 / ECO-12-001405	18JAN2012	DM BJ
		J	LC20-0129-14 / ECO-14-015235	01OCT2014	DM BJ



SECTION A-A



1. ACCOMMODATES:
2/0 AWG CPT Ø9.55 (.376 DIA) TO
500 KCMIL CPT Ø18.69 (.736 DIA)
CONDUCTORS.



MARKING:



CSBS-2/0C-500C
[DATE CODE]
MADE IN [COUNTRY OF ORIGIN]

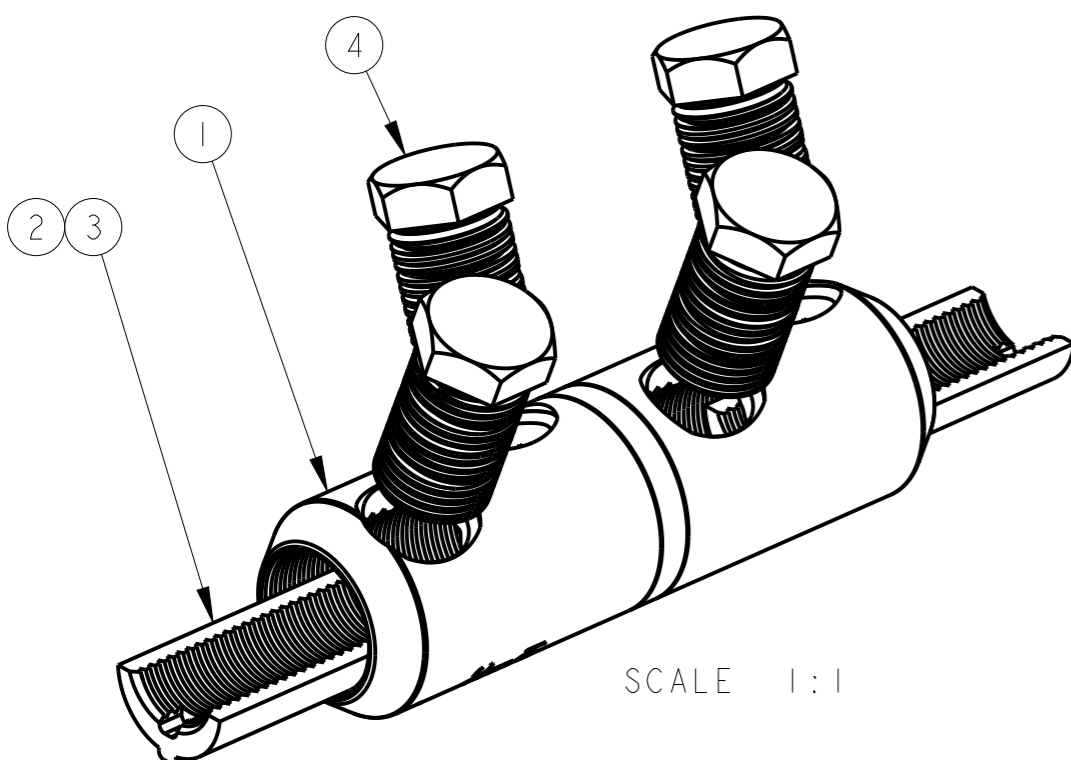
3. INSERT SHALL BE REMOVED FOR
CONDUCTOR SIZES 300 KCMIL CPT
Ø14.48 [0.570 DIA] AND LARGER.

4. ALL DIMENSIONS ARE FOR
REFERENCE ONLY.

5. INSTALL BOLTS WITH 11/16" HEX.
SOCKET.

CSBS-2/0C-500C	1099861-1
CATALOG NO	PART NO.

QTY	DESCRIPTION	ITEM NO
1	INSTALLATION INSTRUCTION SHEET, 408-10327	6
1	ABRASIVE TAPE	5
4	MULTI-SHEAR BOLT, BRASS, M16	4
A/R	CONTACT GREASE, NEUTRAL	3
2	INSERT, ETP COPPER	2
1	CONNECTOR SLEEVE BODY, ETP COPPER	1
-1	DESCRIPTION	ITEM NO
PARTS LIST		



SCALE 1:1

THIS DRAWING IS A CONTROLLED DOCUMENT.

DWN D ROBITAILLE 07 NOV 03	TE Connectivity SHEARBOLT CONNECTOR, COPPER, SOLID OIL STOP, 2/0 AWG CPT TO 500 KCMIL CPT
CHK A BULZA 08 DEC 03	
APVD B JOHNSON 11 DEC 03	
PRODUCT SPEC	
DIMENSIONS: mm [INCH]	NAME
TOLERANCES UNLESS OTHERWISE SPECIFIED:	SIZE
0 PLC ±	CAGE CODE
1 PLC ±	DRAWING NO
2 PLC ±	RESTRICTED TO
3 PLC ±	A300779
4 PLC ±	G-1099861
ANGLES ±	WEIGHT
MATERIAL SEE BOM	FINISH NONE
	Customer Drawing
	SCALE NTS
	SHEET 1 OF 1
	REV J