



1.2mm MCON LL SEALED MALE HOUSINGS FAMILY

TABLE OF CONTENTS

1 GENERAL

- 1.1 PURPOSE
- 1.2 CUSTOMER DRAWINGS
- 1.3 SPECIFICATION

2 MALE HOUSING FAMILY OVERVIEW

3 MALE HOUSING

- 3.1 DELIVERY STATUS
- 3.2 HOUSING LOADING WITH TERMINALS
- 3.3 ADDITIONAL INSTRUCTION FOR 2 WAY (VERSION RETAINER MOVING)
- 3.4 RETAINER IN ENDLOCK POSITION
- 3.5 DEMOUNT TERMINAL OUT OF THE HOUSING

4 MATING AND UNMATING OF THE CONNECTORS

- 4.1 MATING
- 4.2 UNMATING

5 MOUNTING PROVISIONS

- 5.1 MOUNTING PROVISION VERSION 1
- 5.2 MOUNTING PROVISION VERSION 2

6 MOUNTING COLLAR FOR CORRUGATED TUBE CLIP

1 GENERAL

1.1 PURPOSE

THIS SPECIFICATION DESCRIBES THE 1.2mm MCON LL SEALED HOUSING FAMILY:

- MATING AND UNMATING OPERATIONS
- INSERTION AND REMOVAL OF THE TERMINAL

1.2 CUSTOMER DRAWING

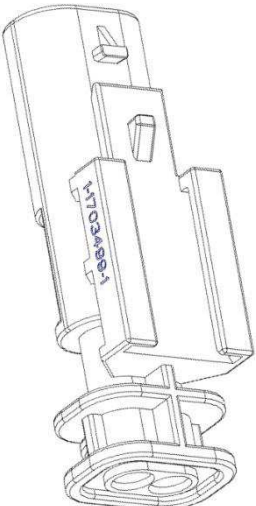
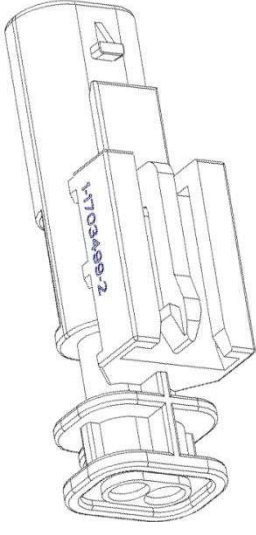
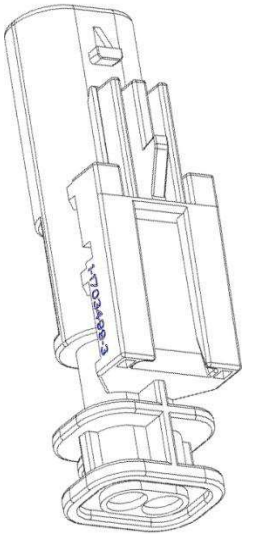
THIS APPLICATION SPECIFICATION IS BASED ON THE LATEST VALID CUSTOMER DRAWING:

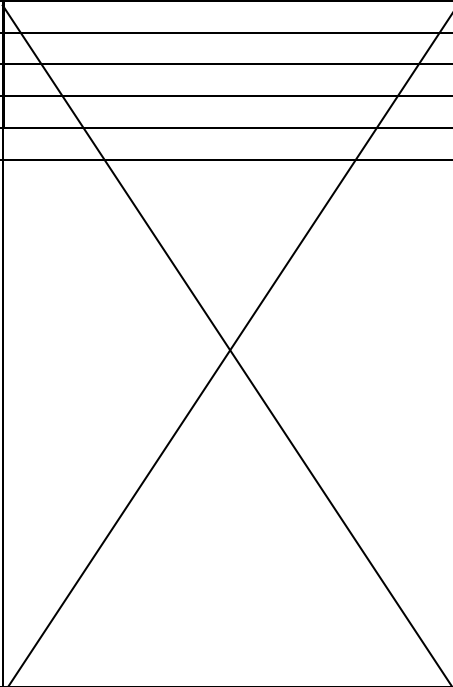
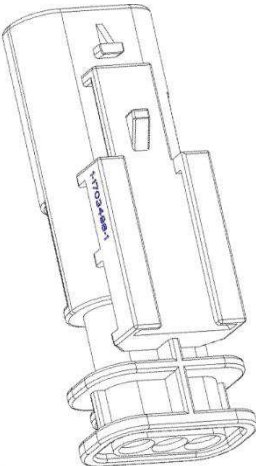
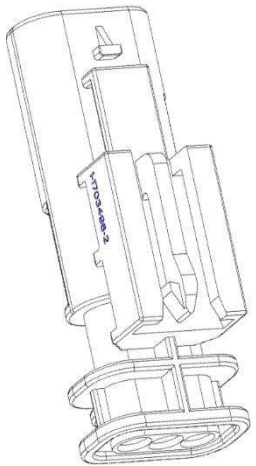
1703498	SEALED, 2WAY, MCON 1.2mm, TAB HOUSING
2236952	High Temp. Version available
1703494	SEALED, 3WAY, MCON 1.2mm, TAB HOUSING
2236953	High Temp. Version available
1564559	SEALED, 4WAY, MCON 1.2mm, TAB HOUSING
2141520	SEALED, 5WAY, MCON 1.2mm, TAB HOUSING
2236952	High Temp. Version available
2141324	SEALED, 6WAY, MCON 1.2mm, TAB HOUSING
1703506	SEALED, 8WAY, MCON 1.2mm, TAB HOUSING

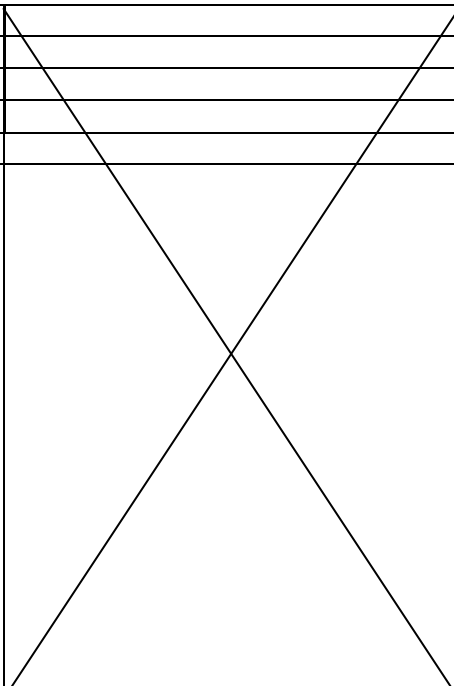
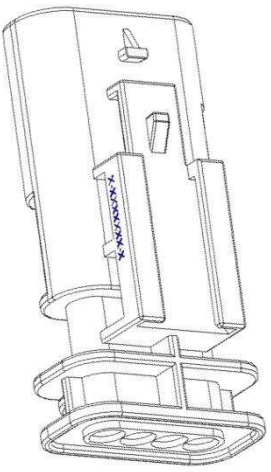
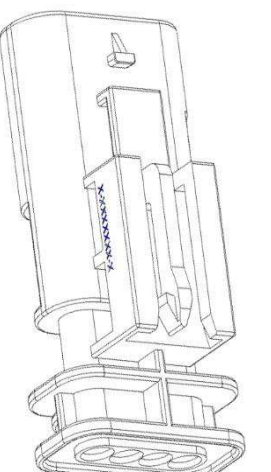
1.3 SPECIFICATION

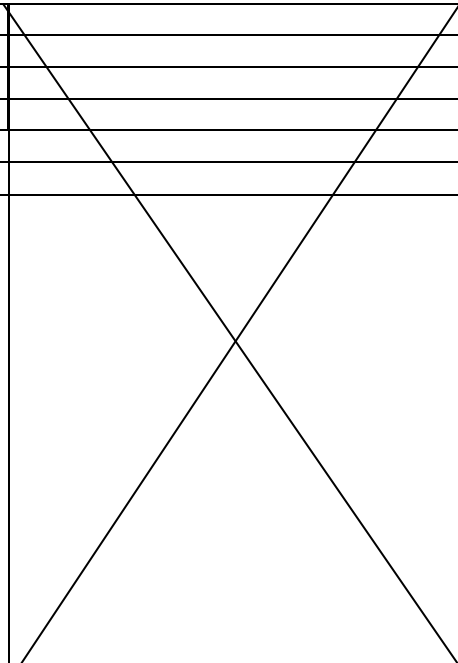
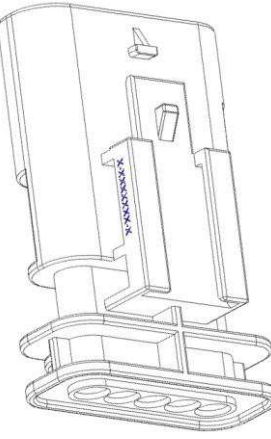
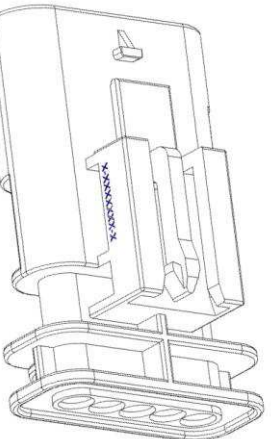
TERMINAL APPLICATION SPEC.	114-18464
TERMINAL PRODUCT SPEC.	108-18782
MALE HOUSING PRODUCT SPEC.	108-94177
MALE HOUSING INSTRUCTION SHEET	114-94062

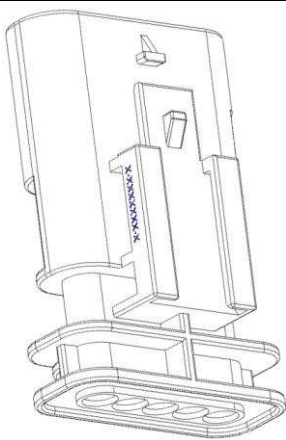
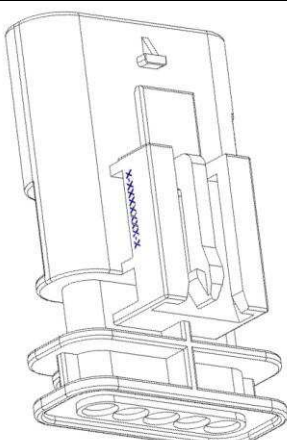
2. MALE HOUSING OVERVIEW

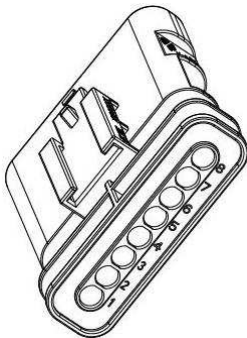
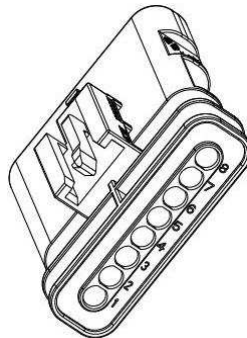
Male Housing Assembly			
2 WAY	PN		
	1-1703498-1	1-1703498-2	1-1703498-3
	2-1703498-1	2-1703498-2	1-1703498-4 (GM)
	1-2236952-5 (HT)*	1-1703498-5 (VW)	2-1703498-3
	2-2236952-5 (HT)*		2-1703498-4 (GM)
	2-2236952-6 (HT)*		
			

3 WAY	PN		
	1-1703494-1	1-1703494-2	
	1-1703494-4 (GM)	2-1703494-2	
	2-1703494-1		
	2-1703494-4 (GM)		
	1-2236953-5 (HT)*		
			

4 WAY	PN		
	1-1564559-1	1-1564559-2	
	2-1564559-1	2-1564559-2	
	1-1564559-4 (GM)		
	2-1564559-4		
	3-1564559-4 (GM)		
			

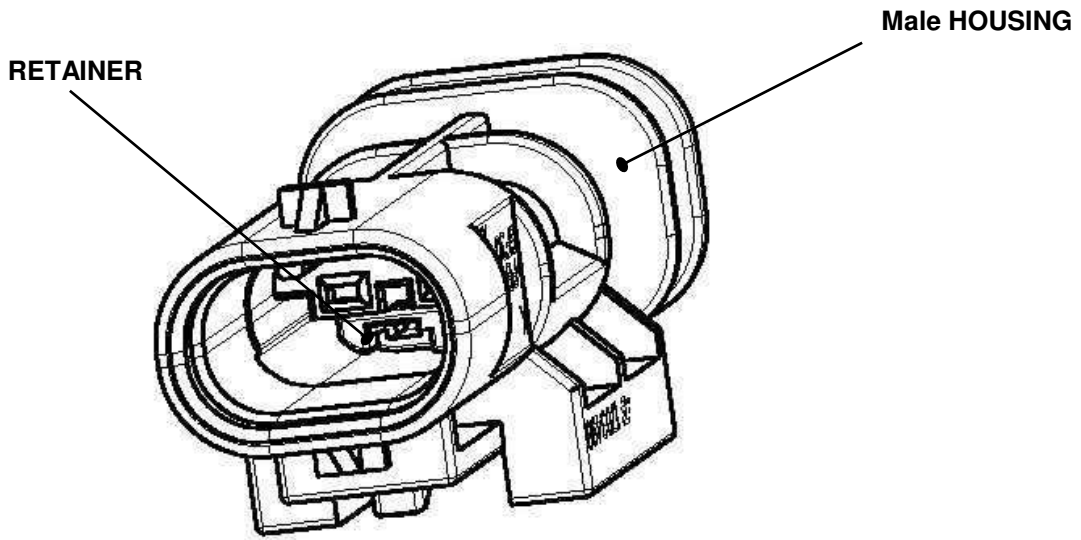
5 WAY	PN		
	1-2141520-1	1-2141520-2	
	1-2141520-4 (GM)	2-2141520-2	
	1-2236954-5		
	2-2141520-1		
	2-2236954-5 (HT)*		
	2-2236954-6 (HT)*		
			

6 WAY	PN		
	1-2141324-1	1-2141324-2	X
	1-2141324-4 (GM)		
	1-2141324-5 (GM)		
			

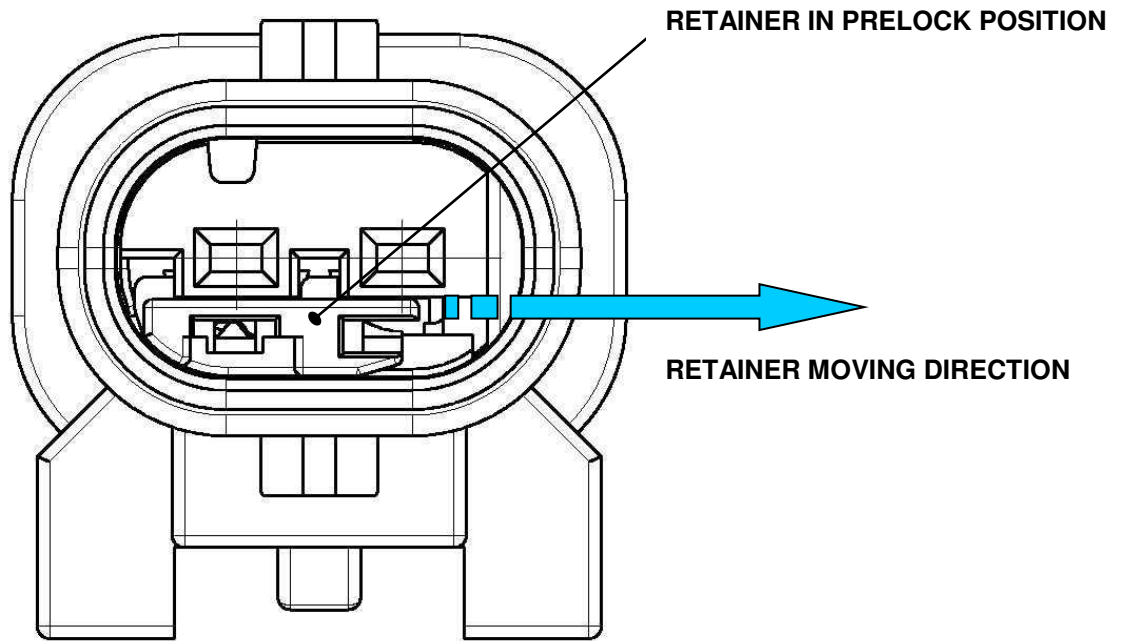
8 WAY	PN		
	1-1703506-1	1-1703506-2	X
			

*- High temperature connector, up to 150°C

3 MALE HOUSING ASSEMBLY



3.1 DELIVERY STATUS

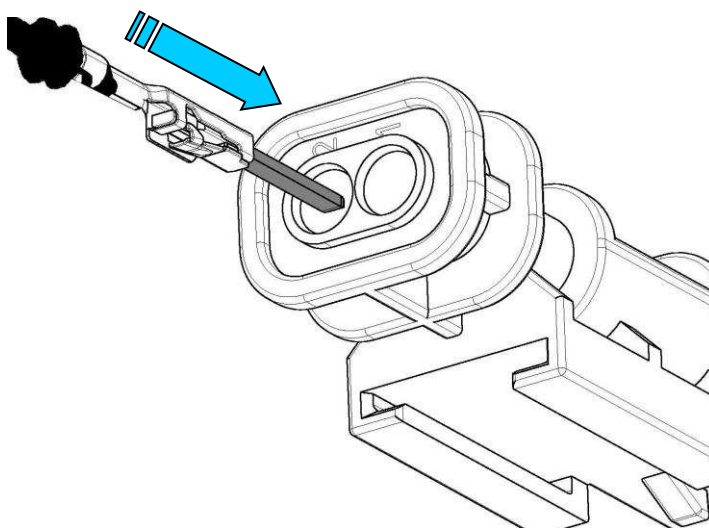


3.2 MALE TERMINAL LOADING

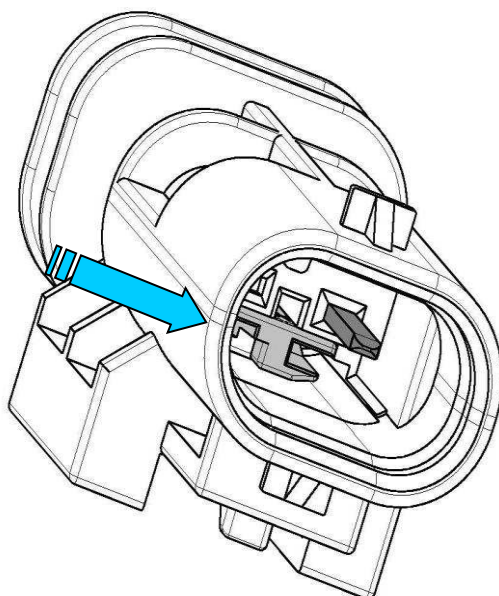


ONLY POSSIBLE WITH RETAINER IN PRELOCK POSITION (3.1)

STEP 1 MOVE THE TERMINAL WITH SWS IN THIS DIRECTION UNTIL THE TERMINAL LOCKS

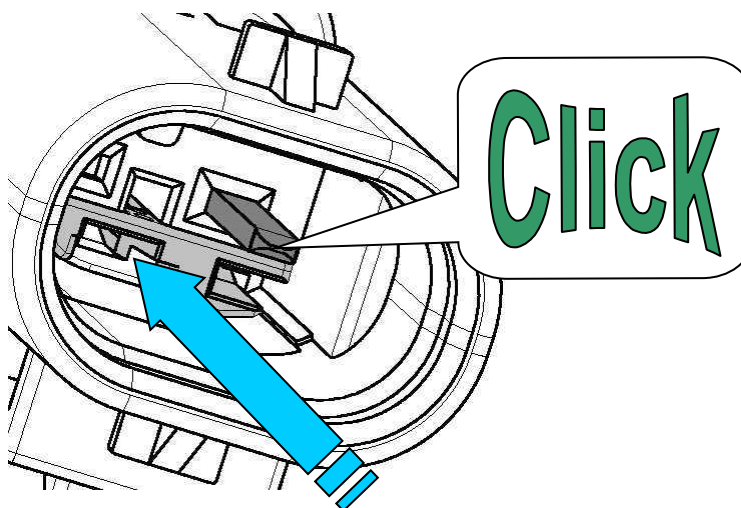


STEP 2 RETAINER PUSHING DIRECTION



STEP 3

RETAINER IS IN ENDLOCK POSITION,
TERMINAL IS FIXED



GAP FOR RETAINER SWITCHING TOOL

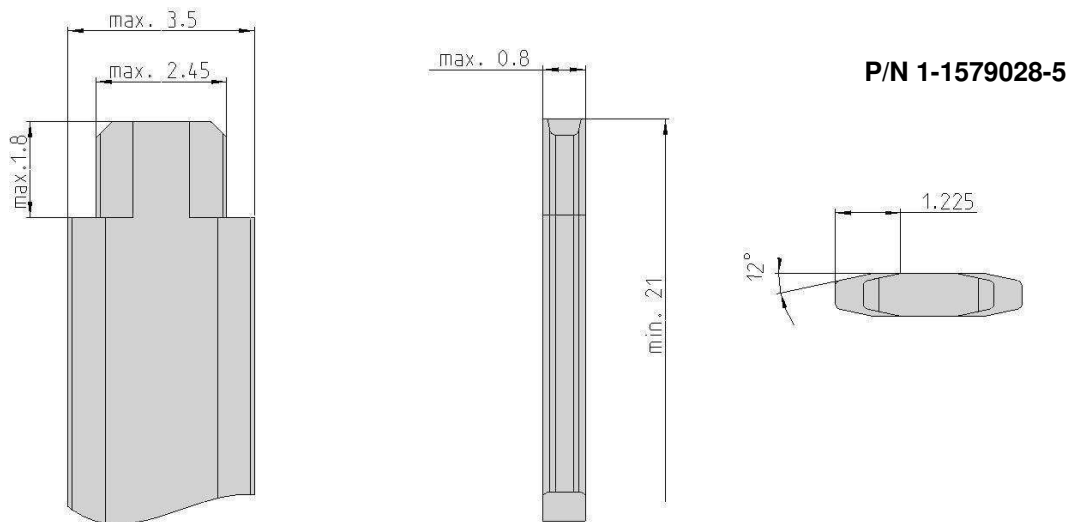
a1.) Recommended retainer switching tool for 2-way male housings:

New retainer switching tool is available for 2-way hsg male housing

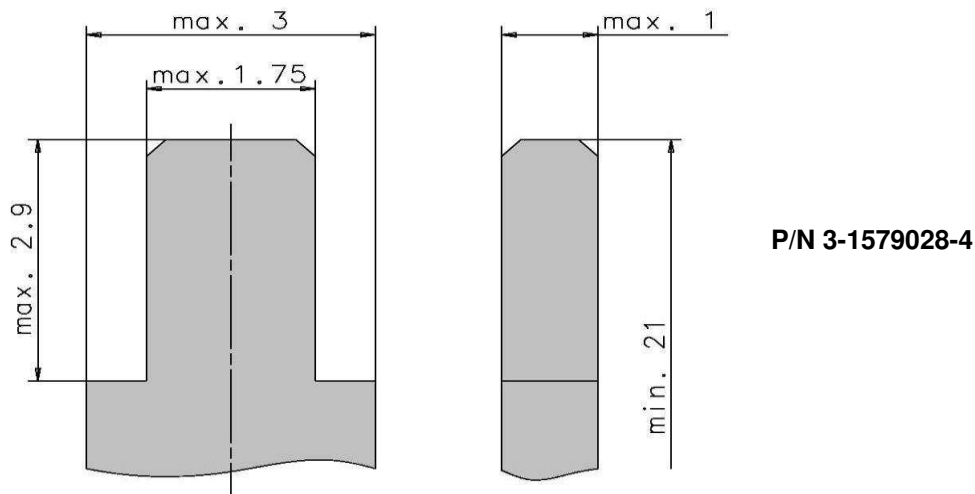
NEW PN: 9-1579028-2



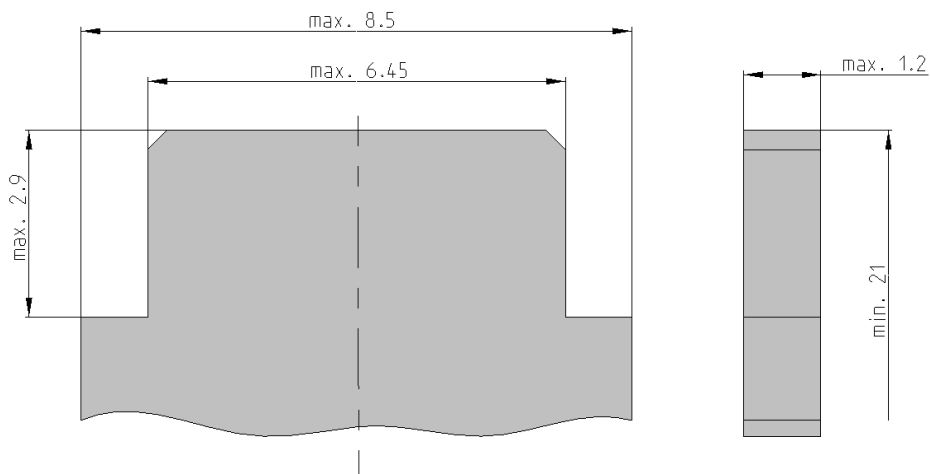
a2.) PROPOSAL FOR 2-WAY. MALE HOUSING RETAINER SWITCHING TOOL (OLD TOOL)



b.) PROPOSAL FOR 3-WAY. MALE HOUSING RETAINER SWITCHING TOOL

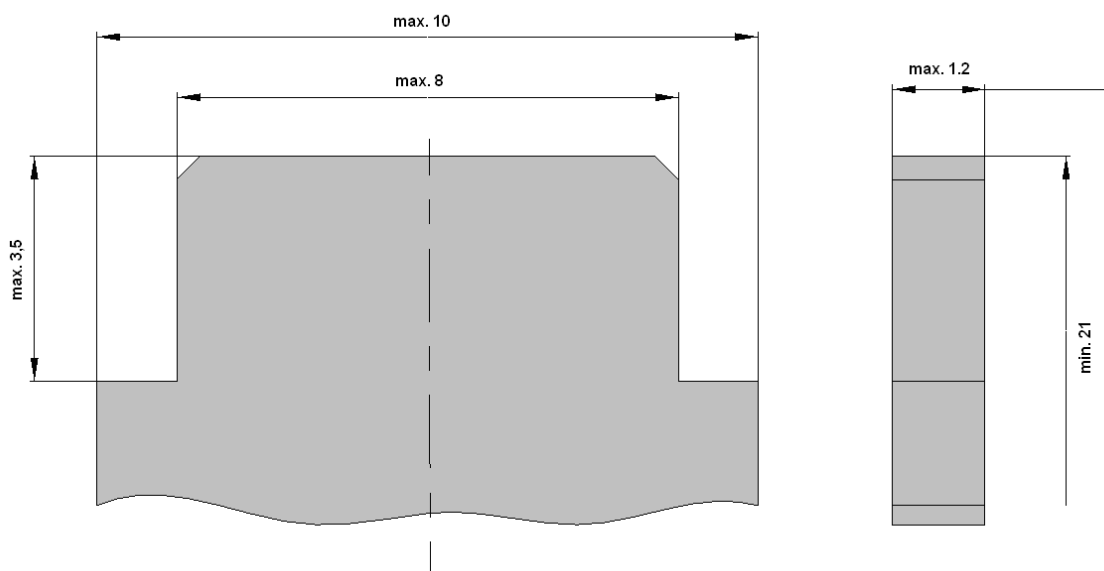


c.) PROPOSAL FOR 4-WAY. MALE HOUSING RETAINER SWITCHING TOOL



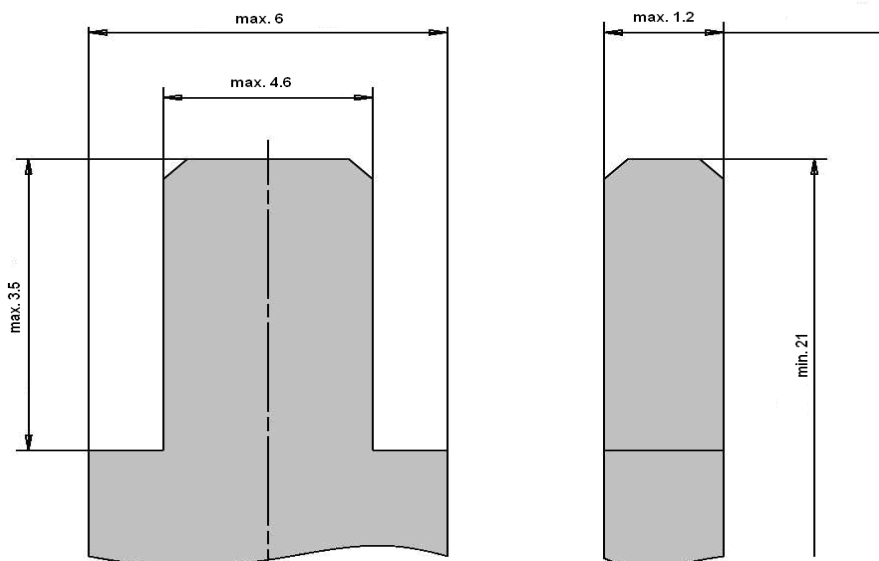
P/N 3-1579028-5

d.) PROPOSAL FOR 5 WAY. MALE HOUSING RETAINER SWITCHING TOOL



P/N 3-1579028-6

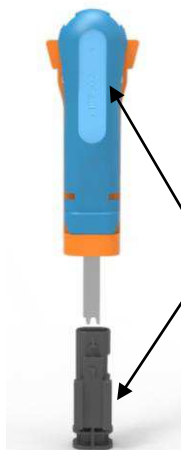
e.) PROPOSAL FOR 6 WAY. MALE HOUSING RETAINER SWITCHING TOOL



P/N 3-1579028-7

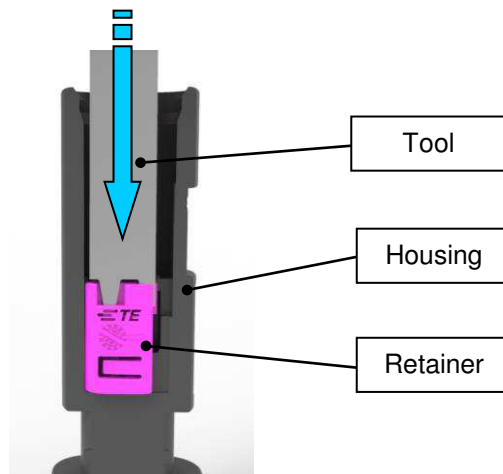
3.3 ADDITIONAL INSTRUCTION FOR 2-WAY VERSION

3.3.1 Instruction for the NEW 2-way switching tool PN 9-1579028-2

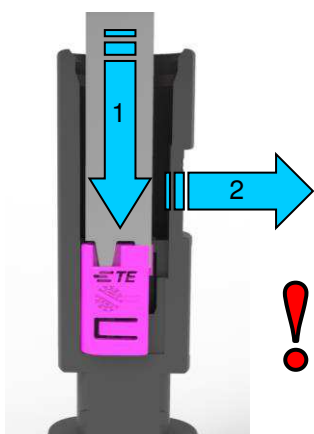


The tool with PN inscription must be facing in the same direction as the mounting clip of the connector

Step 1: place the tool above the connector



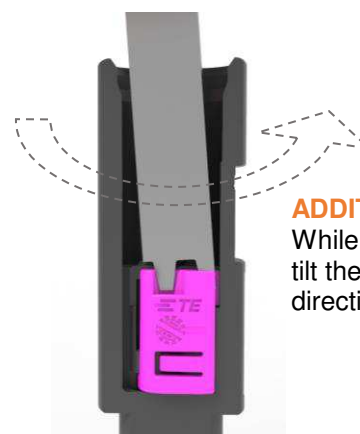
Step 2: Fit the tool in the slot of the retainer



1. Push the retainer slightly in bottom direction.
2. Move the retainer to end lock position. **A "CLICK" sound should be heard when the retainer is closed.**

IMPORTANT:

- Movement 1 and 2 **must be performed simultaneously**
- the fitment/orientation of the tool is important



ADDITIONAL TIP: While closing the retainer, tilt the tip of the tool in the direction of the movement.

Step 3: Close the retainer

! The alignment of the tool in the slot of the retainer is very important

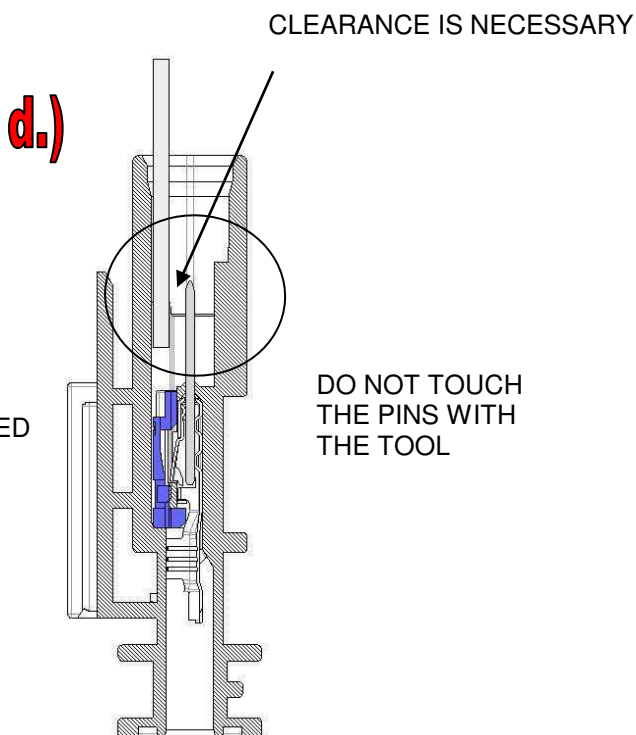
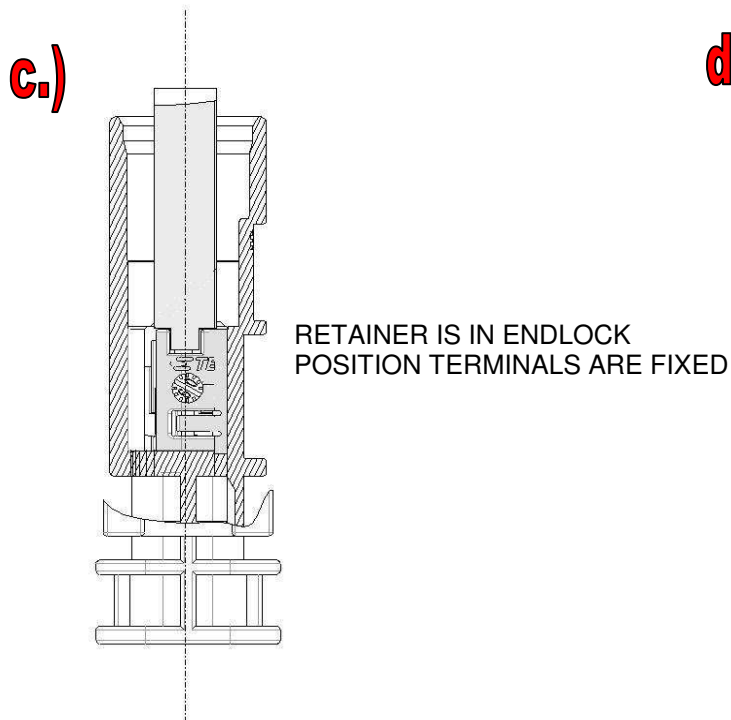
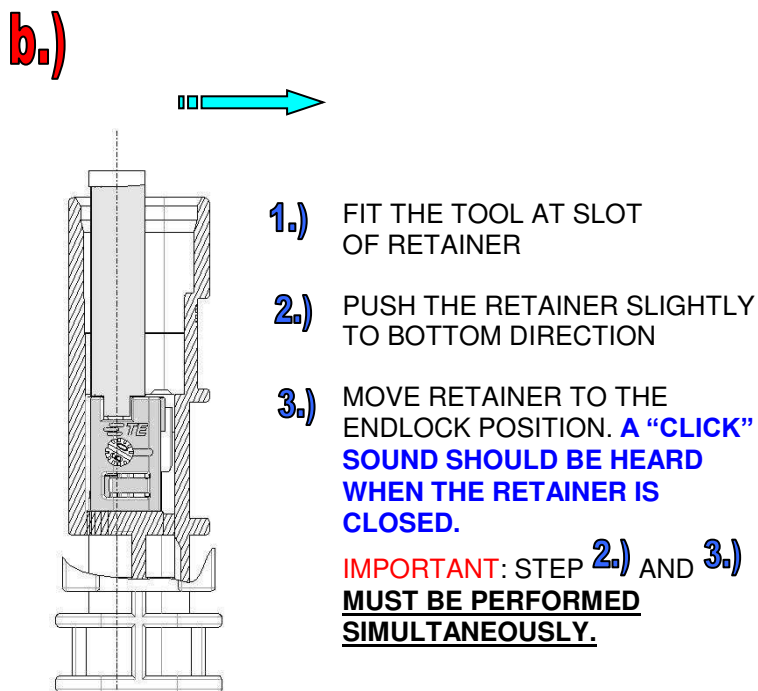
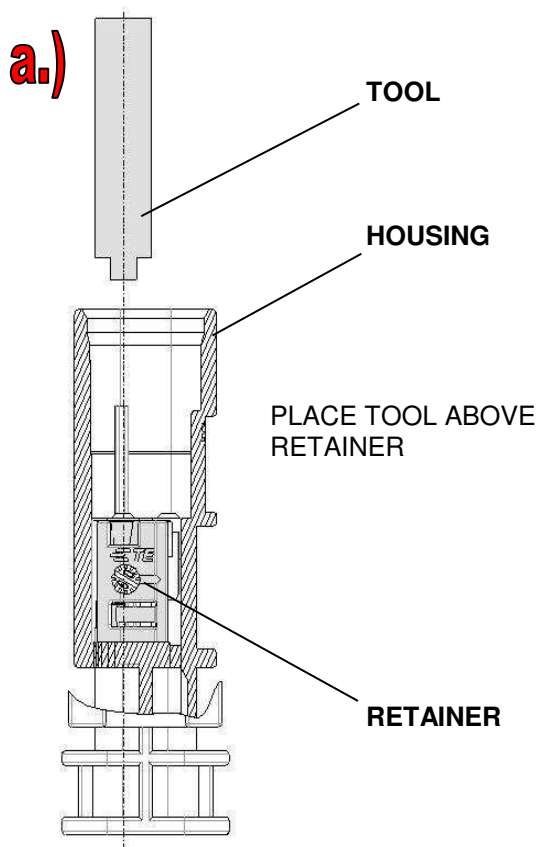


OK alignment

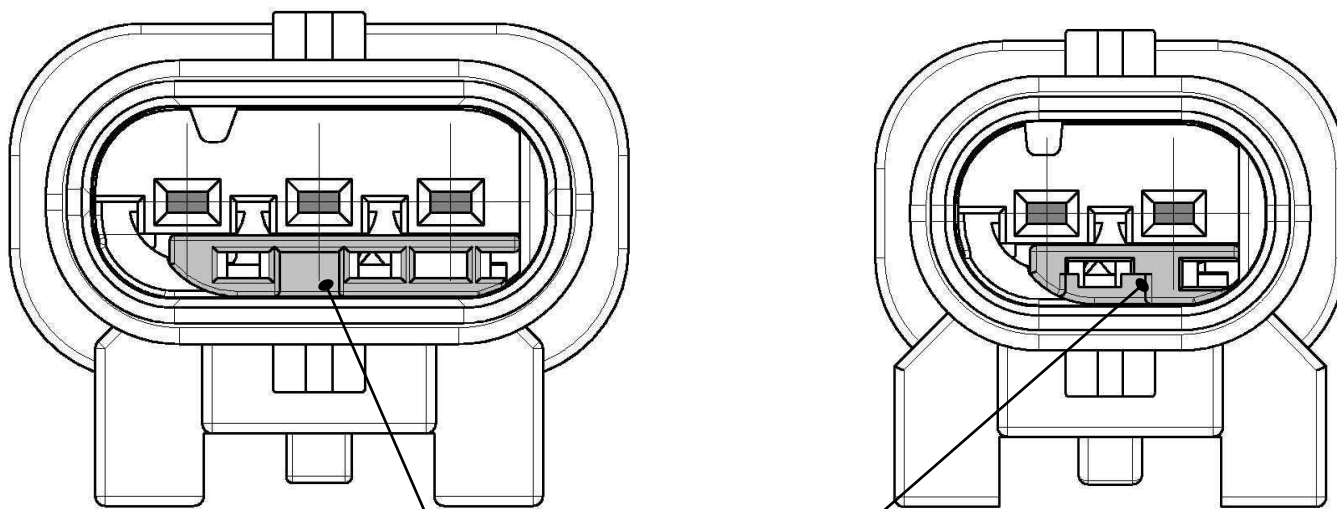


NOK alignment

3.3.2 Instruction for the OLD 2-way switching tool PN 1-1579028-5



3.4 RETAINER IN ENDLOCK POSITION



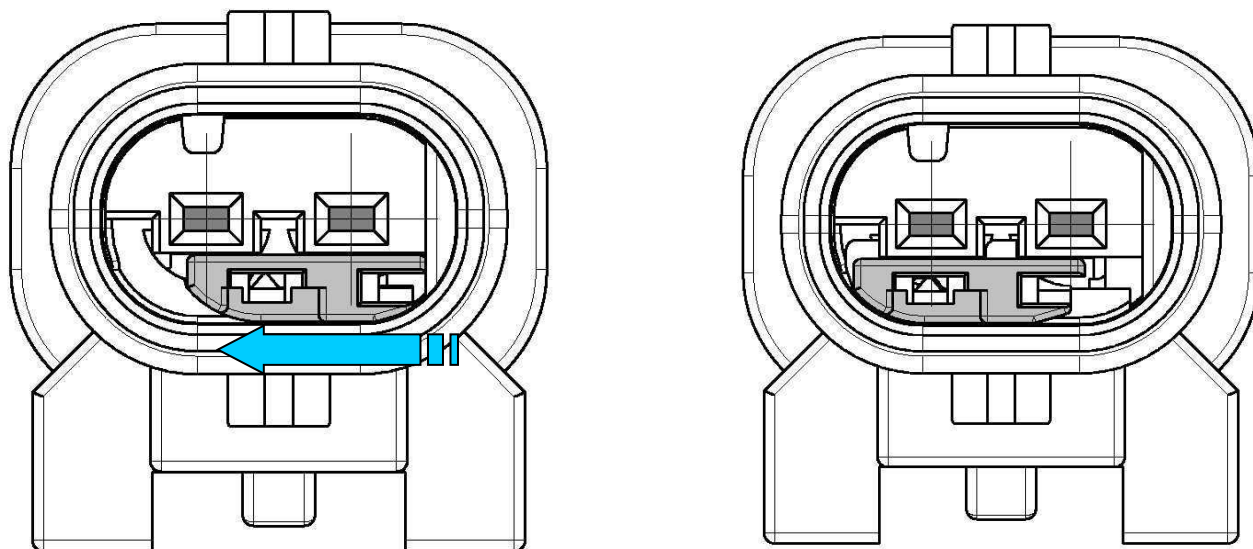
RETAINER IS IN ENDLOCK
POSITION, TERMINALS ARE FIXED



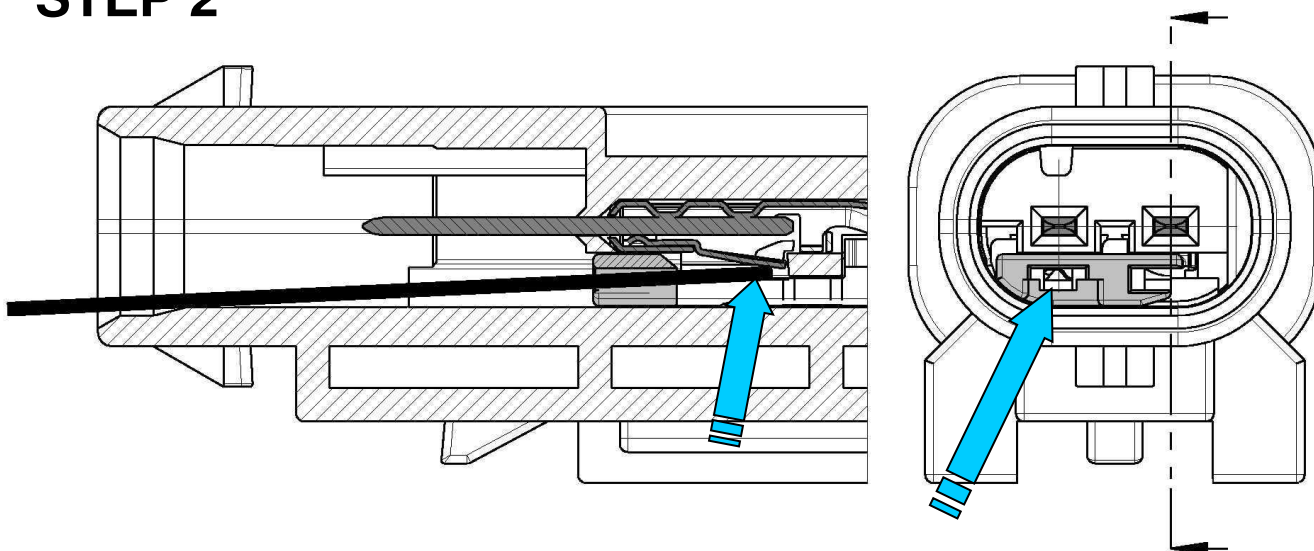
RETAINER HAS TO BE FULLY LOCKED;
IF NOT POSSIBLE, THE TERMINAL IS MISPLACED

3.5 DEMOUNT TERMINAL OUT OF THE HOUSING

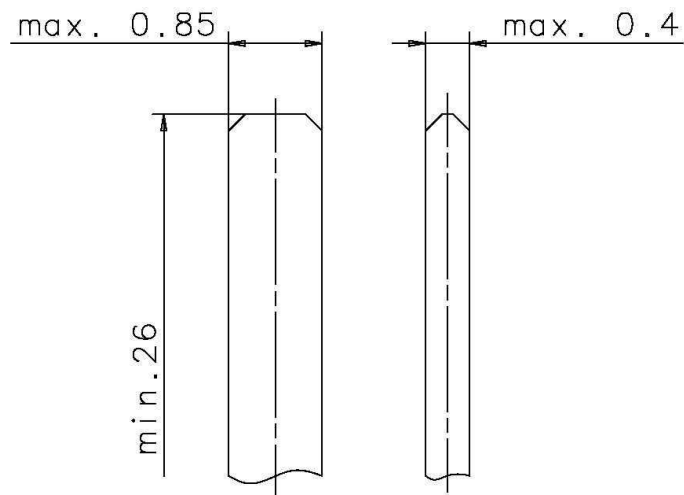
STEP 1 RETAINER FROM ENDLCK POSITION BACK TO PRELOCK POSITION WITH SWITCHING TOOL



STEP 2 PUSH DIRECTION OF TERMINAL EXTRACTION TOOL



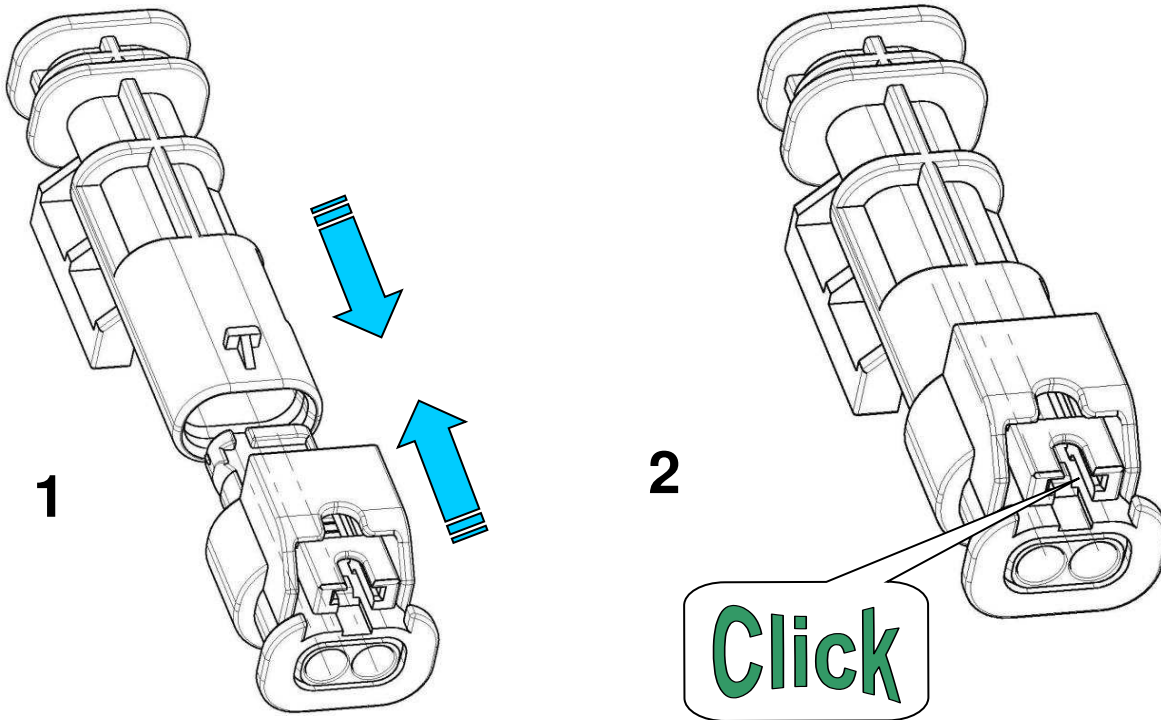
INSERT THE EXTRACTION TOOL THROUGH THIS GAP AND PUSH THE TERMINAL SPRING



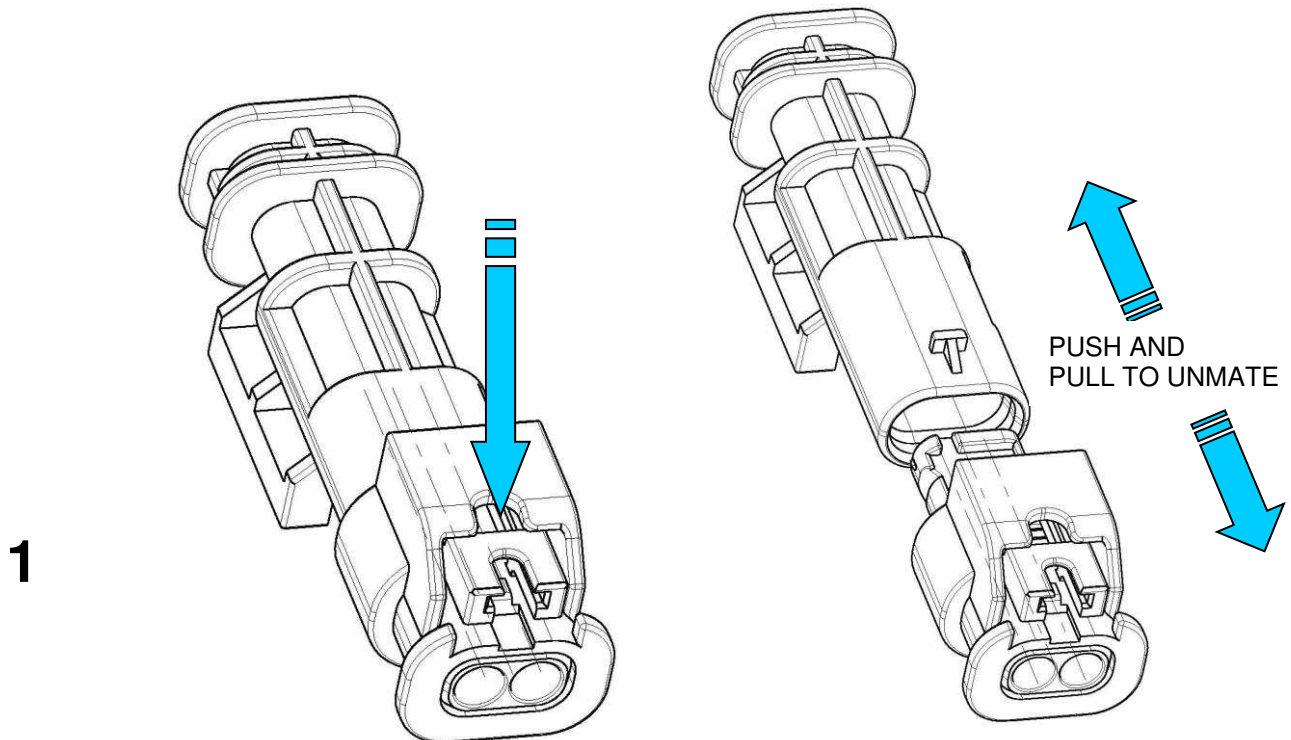
P/N 3-1579028-8

4 MATING AND UNMATING THE 1.2mm MCON INLINE CONNECTION

4.1 MATING



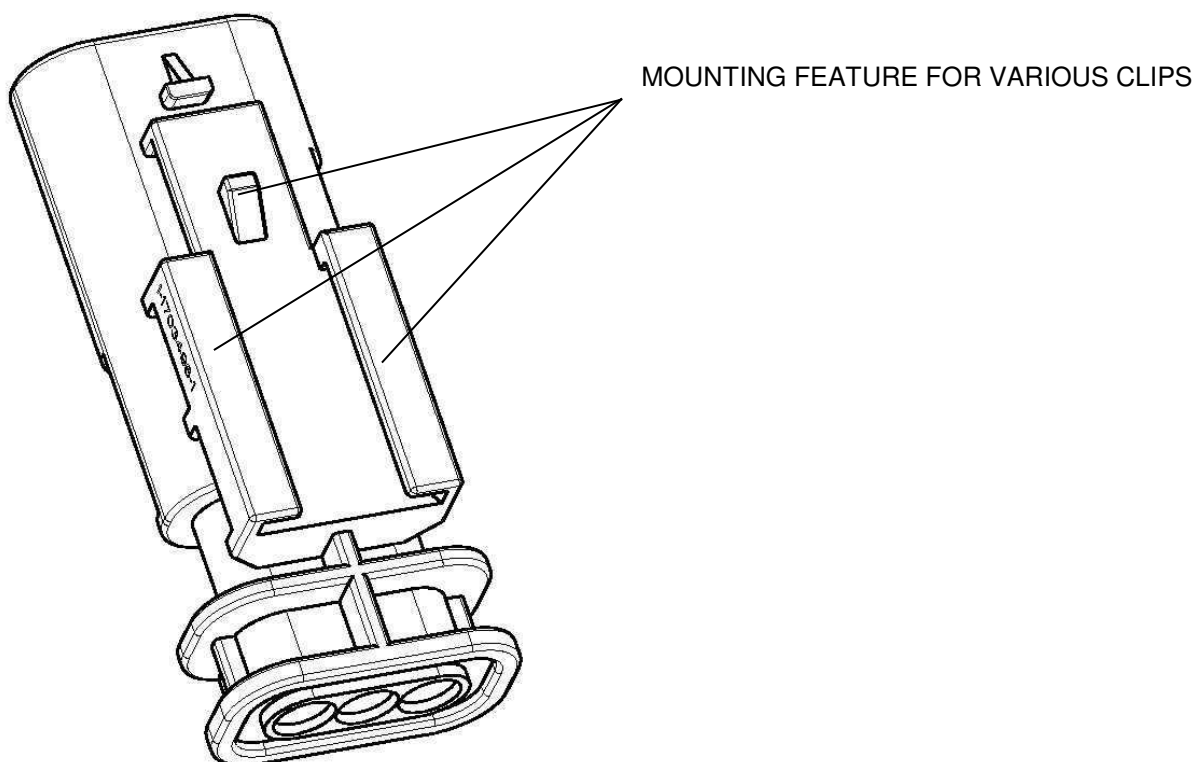
4.2 UNMATING



5. MOUNTING PROVISIONS

5.1 MOUNTING PROVISION VERSION 1

IT IS POSSIBLE TO MOUNT THE CONNECTOR TO THE BODY SHEET BY USING VARIOUS CLIPS, E.G.: FORD PN 1S7T-14197-JA, FORD PN W709152, FORD PN W700475, VW PN N 907 136,ETC.

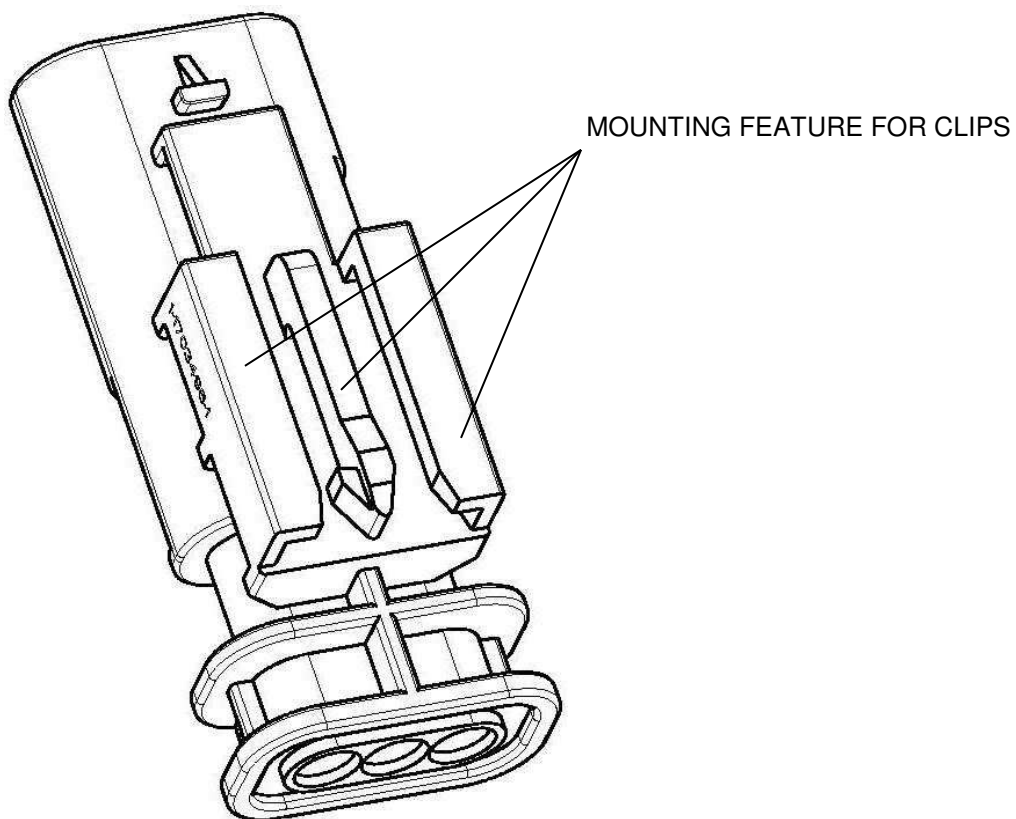


NOTE:

DUE TO THE FACT THAT THERE ARE VARIOUS MOUNTING CLIPS AVAILABLE ON THE MARKET, THE APPLICABILITY OF ANY OTHER CLIPS HAS TO BE CHECKED , ON THE PART, BY THE USER (E.G. HARNESSMKER)

5.2 MOUNTING PROVISION VERSION 2

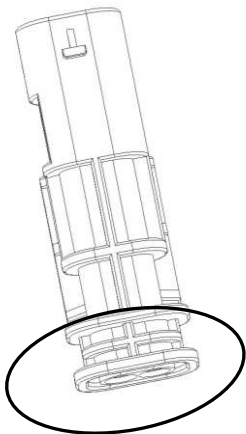
ADDITIONAL POSSIBILITY TO MOUNT THE CONNECTOR AT THE BODY.



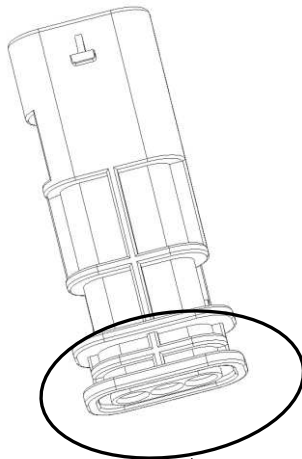
NOTE: LOCATOR ACCORDING 114-18063-2

6. MOUNTING SKIRT FOR CORRUGATED TUBE CLIP

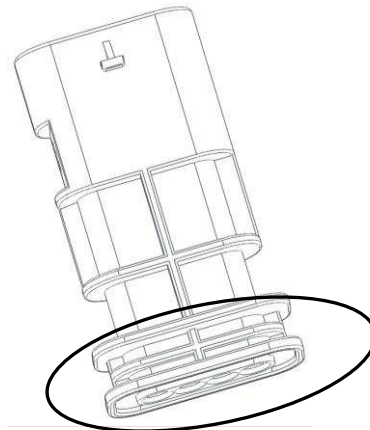
2 WAY



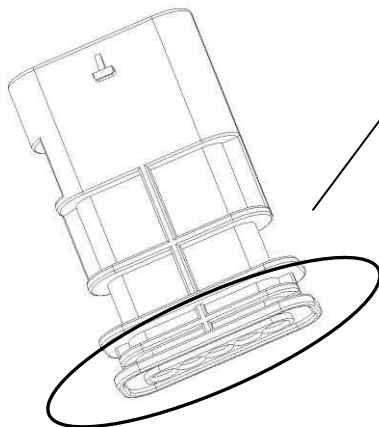
3 WAY



4 WAY

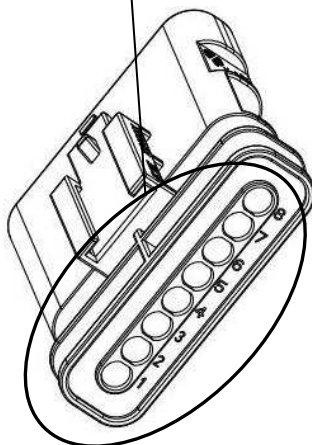


5 WAY

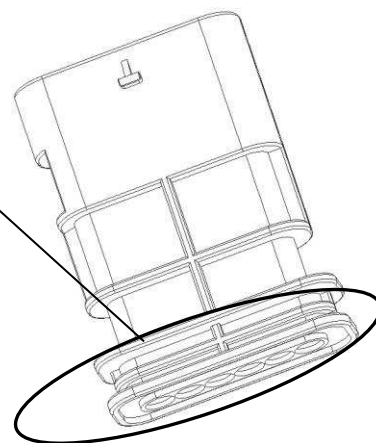


AREA FOR CLIP

8 WAY



6 WAY



114-18910-1

	NAME	DATE	ORIGINAL FILE	
CREATED	A.Löcser	04APR2008	Doc-Manager	
CHECKED				
CHANGE HISTORY	NAME	DATE	REV	CHANGE
	J. Reuß	19AUG2014	E	8 Way Housing version added
	G. Nagy	17FEB2016	E1	Application tools PN added / HT version PN added
	L. Székely	15NOV2019	F	Overview reordered + Small clarification done at retainer closing + New switching tool added
	L. Székely	02JUN2020	F1	Additional explanation added: "Click" noise note added