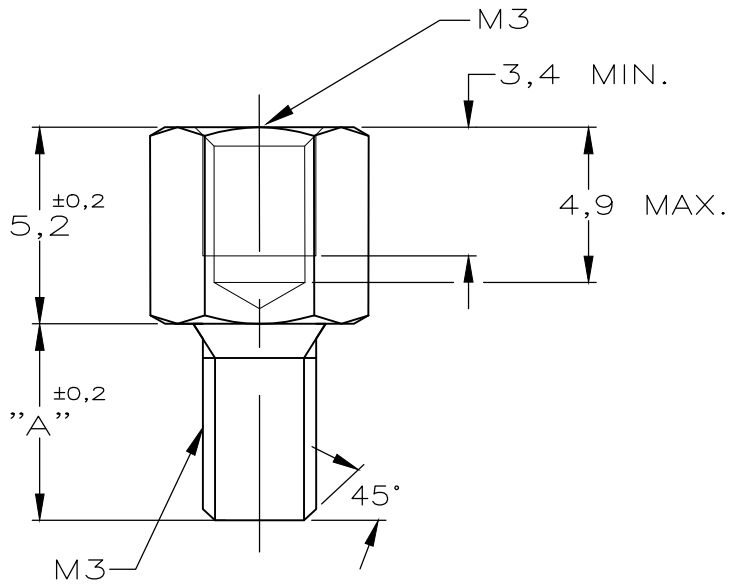
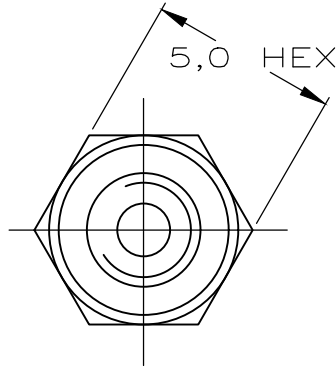


REVISIONS					
P	LTR	DESCRIPTION	DATE	DWN	APVD
	A	NEW DRAWING	02APR2019	AP	DG



9.5	NICKEL	BRASS	1230032-2
5.2	NICKEL	BRASS	1230032-1
A	FINISH	MATERIAL	PART NO.

RELEASED FOR PUBLICATION

ALL RIGHTS RESERVED.

TE Connectivity Ltd.

THIS DRAWING IS UNPUBLISHED.

DIMENSIONS: mm TOLERANCES UNLESS OTHERWISE SPECIFIED: 0 PLC ± - 1 PLC ± 0.2 2 PLC ± 0.02 3 PLC ± 0.005 4 PLC ± - ANGLES ± 0°, 30°	DWN AJITH PAI 02APR2019	MATERIAL -	FINISH -
	CHK DENIEL GORENC 02APR2019	TE Connectivity	
APVD DENIEL GORENC 02APR2019	NAME FEMALE SCREWLOCK		
PRODUCT SPEC -	SIZE A4	CAGE CODE 00779	DRAWING NO C-1230032
APPLICATION SPEC -	RESTRICTED TO -	SCALE 4:1	
WEIGHT -	CUSTOMER DRAWING		SHEET 1 OF 1
			REV A

