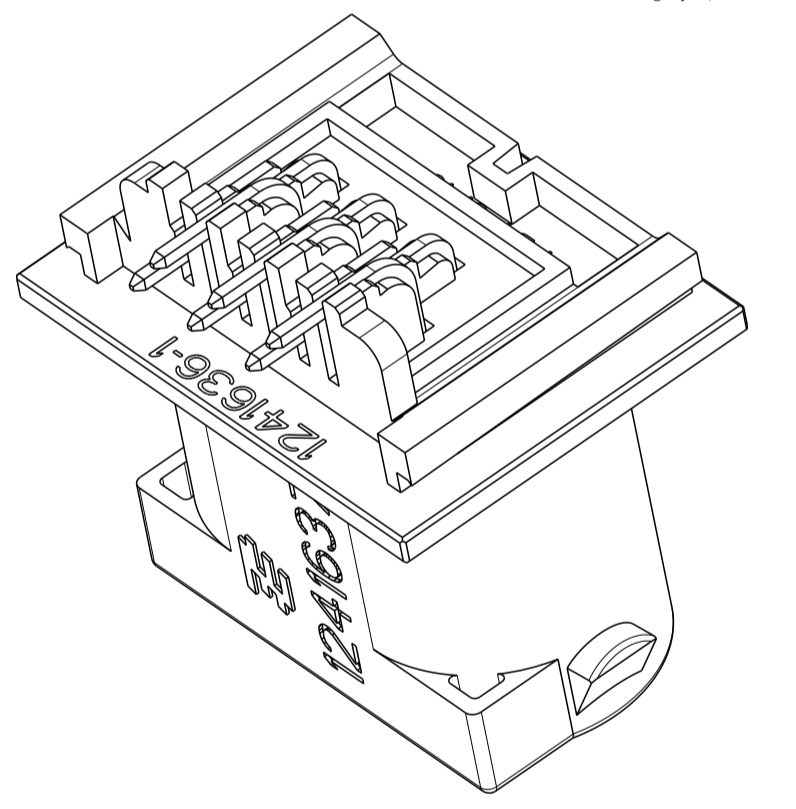
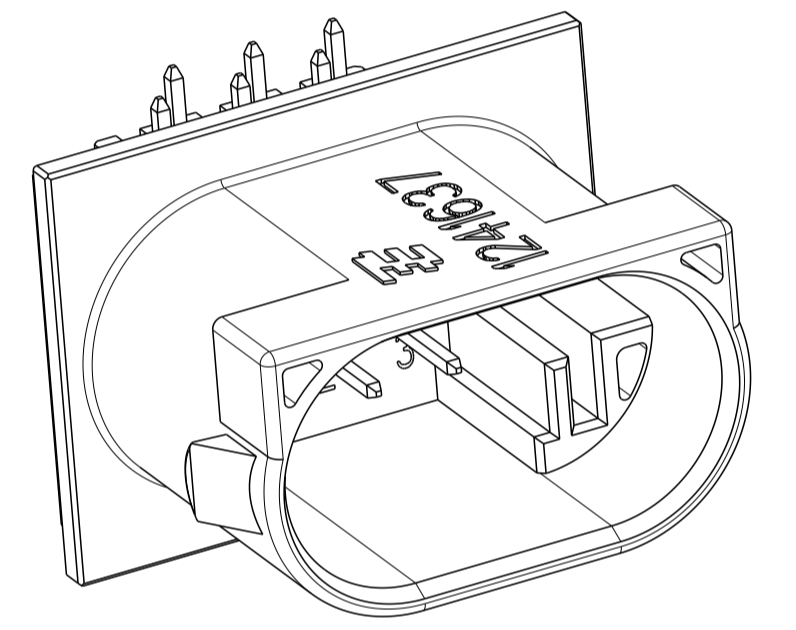
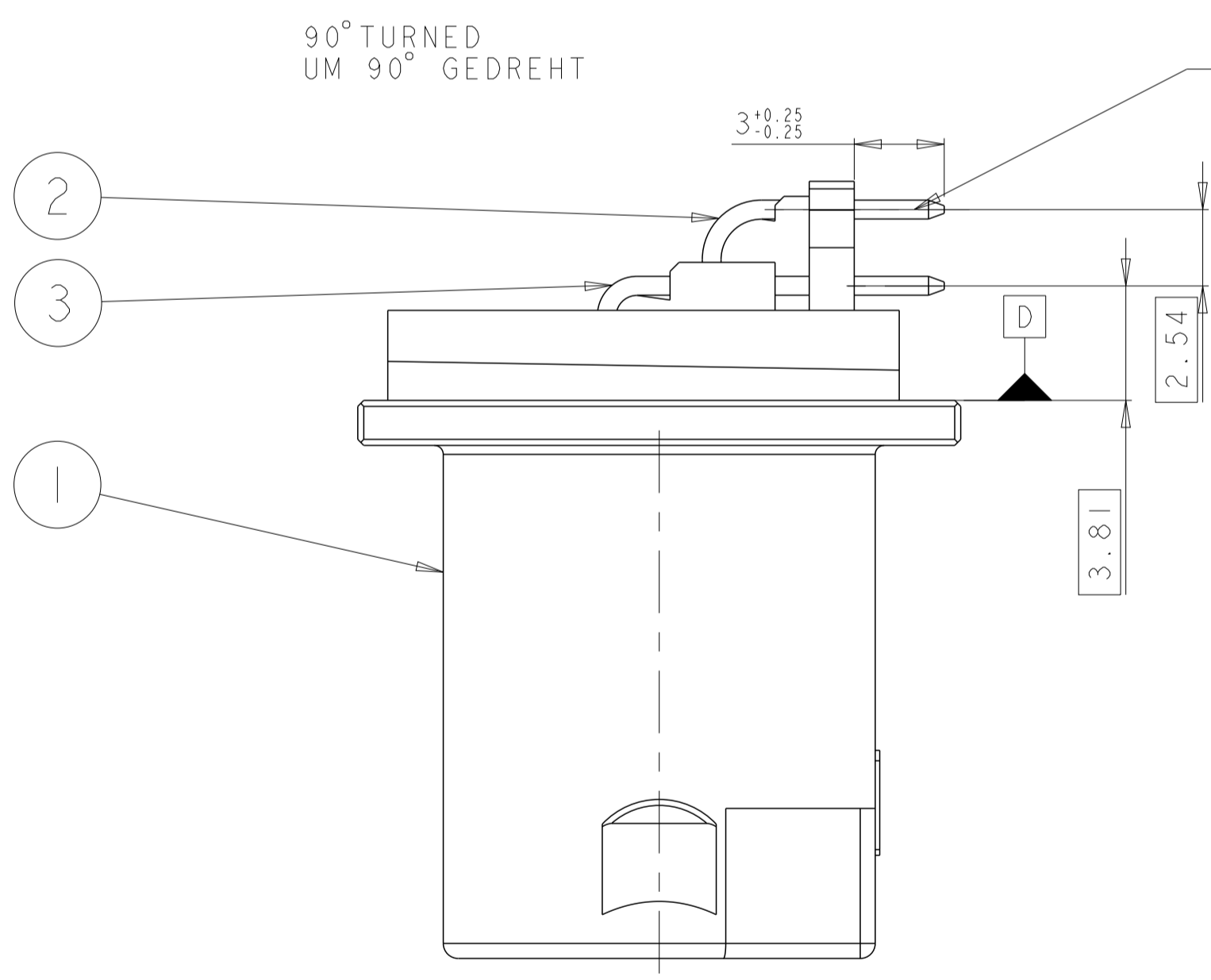
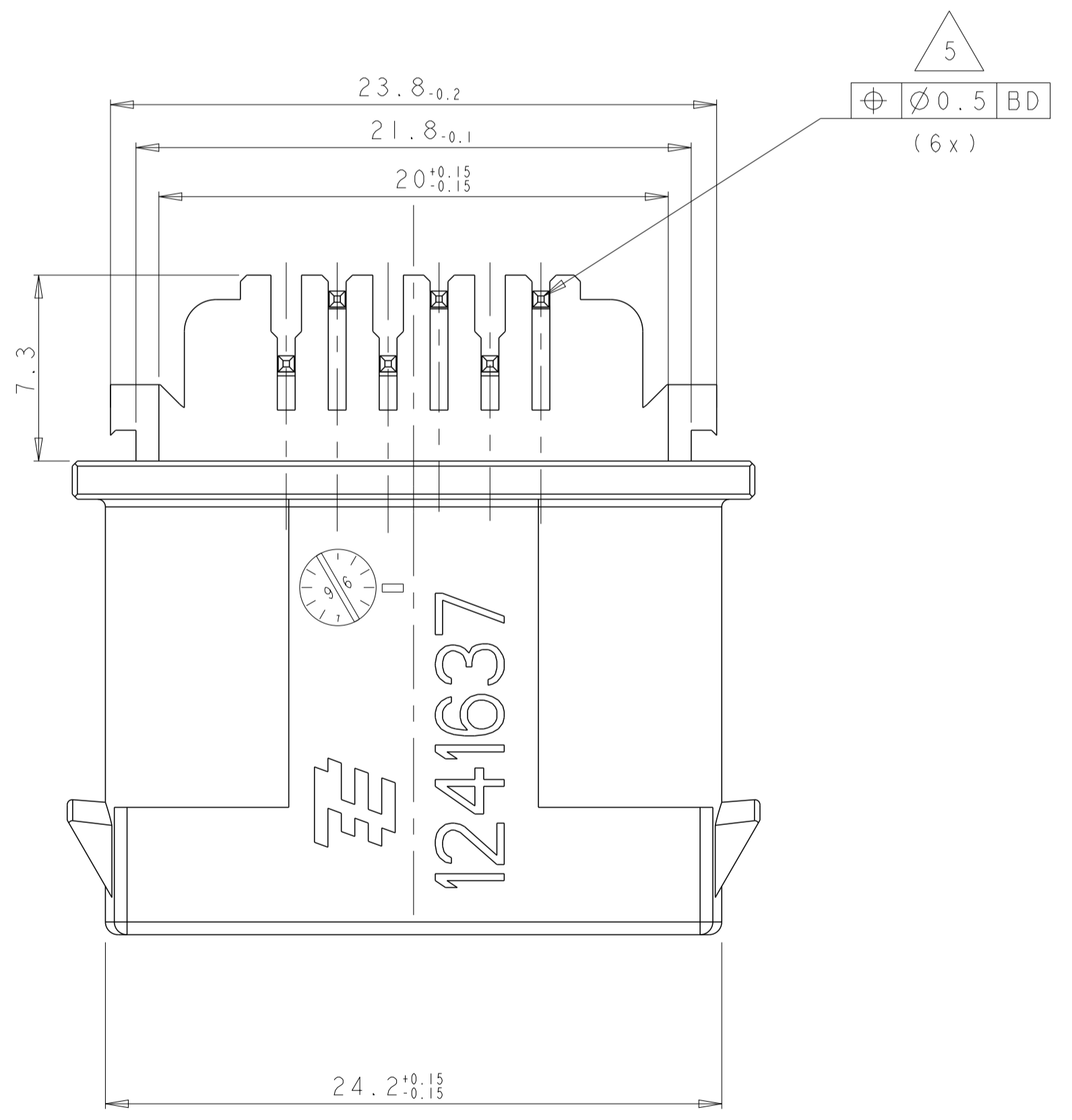
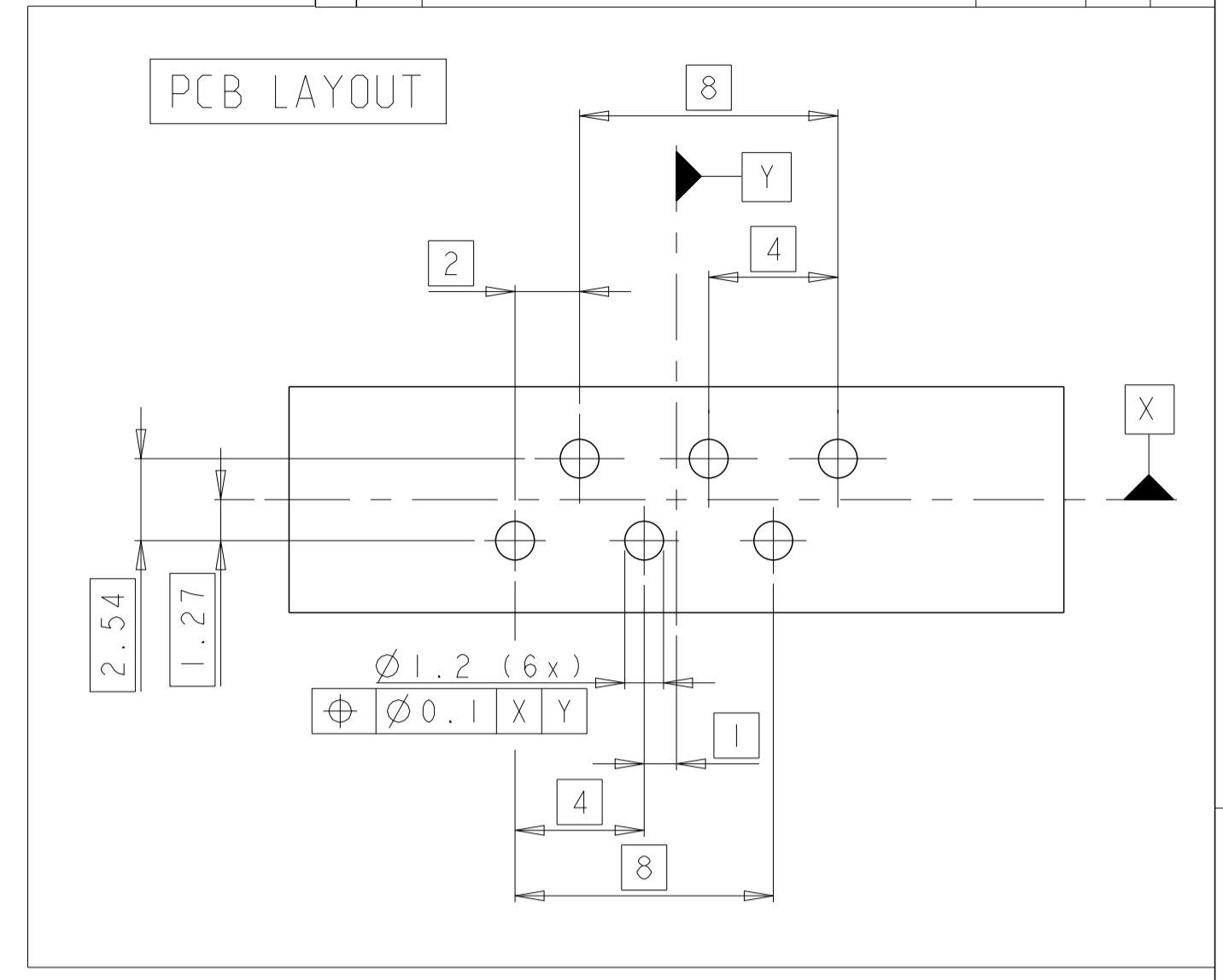
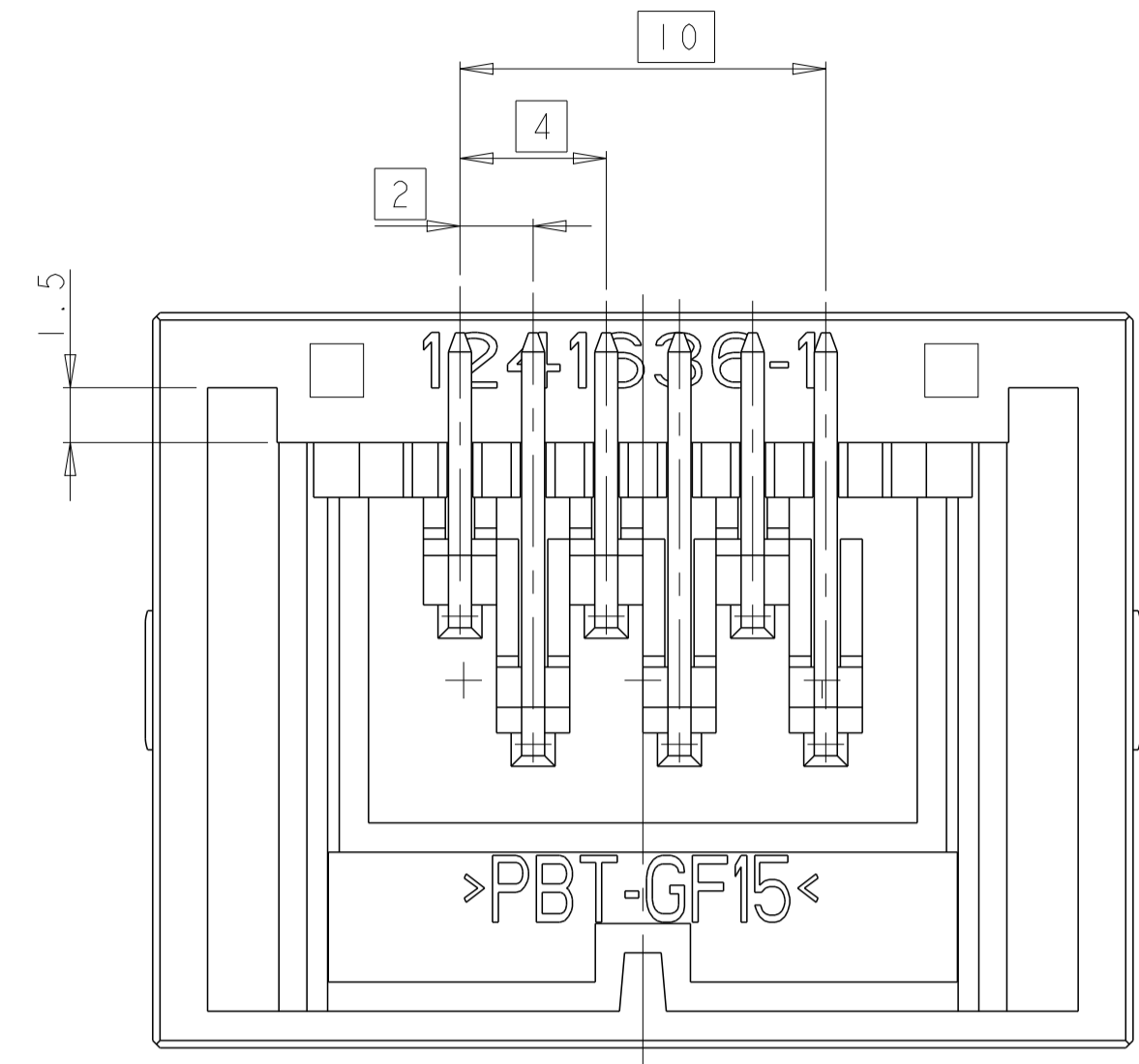
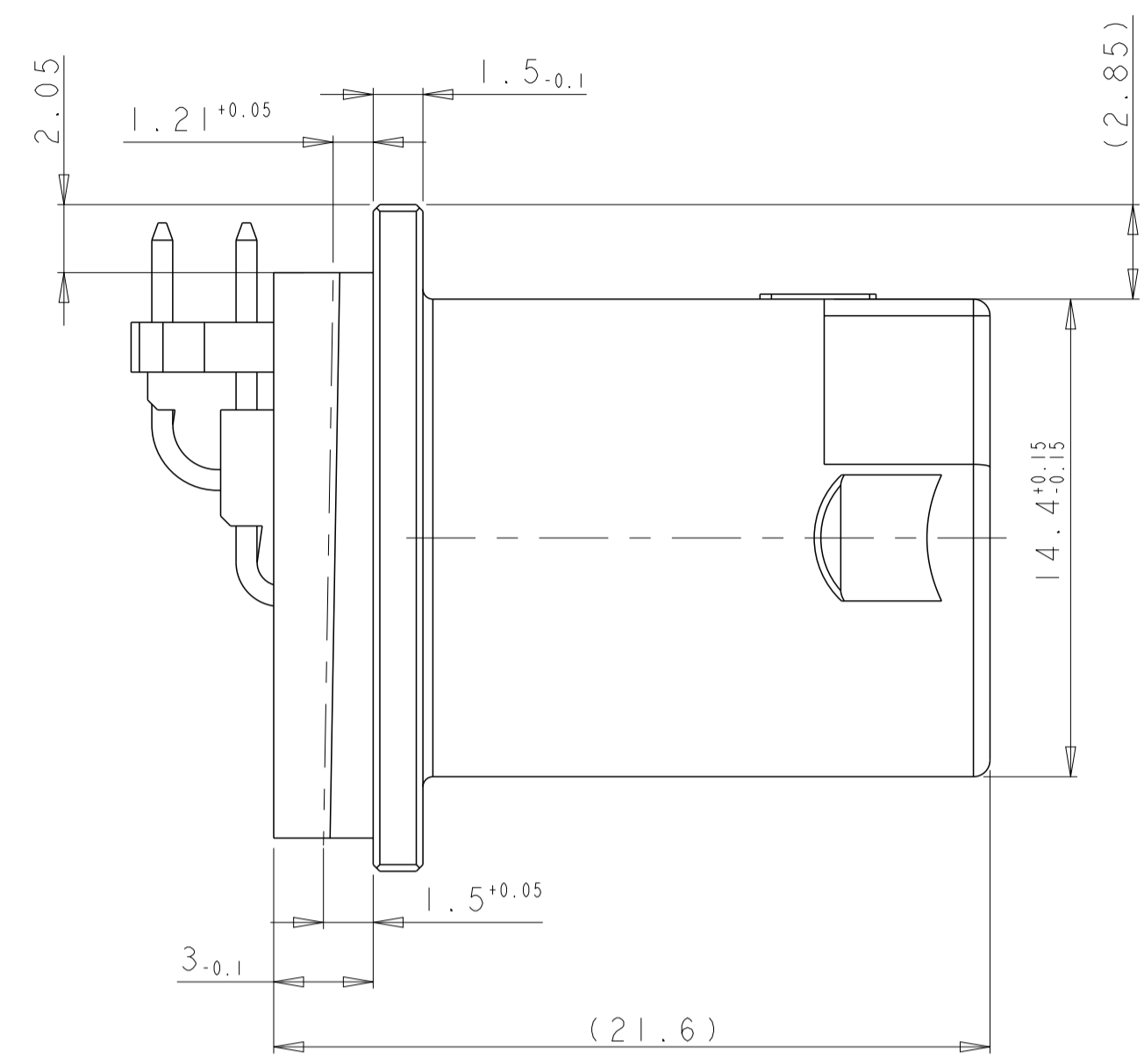
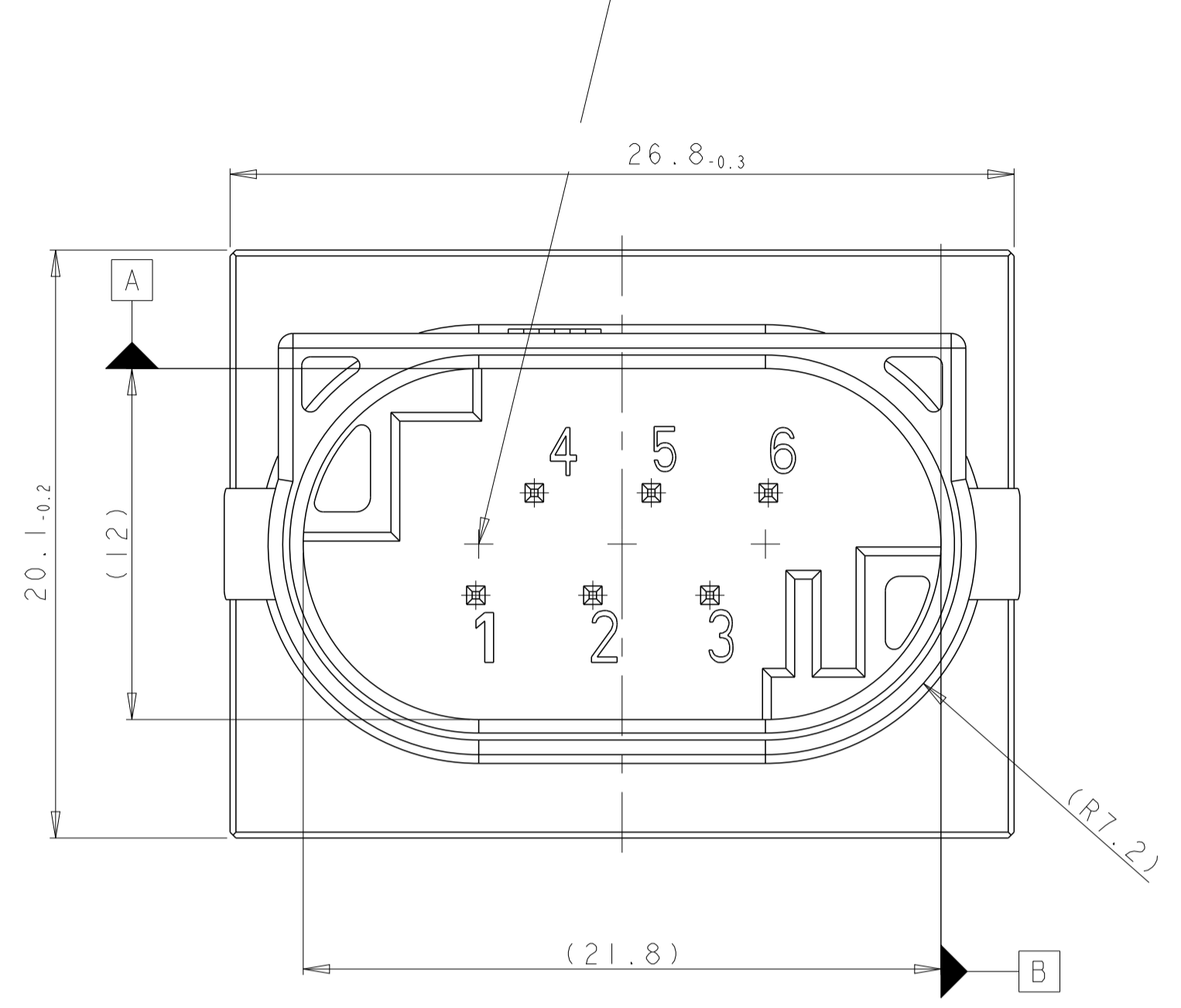


| REVISIONS |      |                  |           |       |
|-----------|------|------------------|-----------|-------|
| P.        | LTH. | DESCRIPTION      | DATE      | APVD. |
| A5        |      | ECR-17-004871    | 05APR2017 | NL NL |
| A6        |      | PCB-LAYOUT ADDED | 08MAY2018 | RM HB |

DESIGN ACC. TO AV 114-18063-21, COD A  
AUSFUEHRUNG NACH



NOTES  
Bemerkungen

- PACKING: LOOSE PIECE IN TE-BOX  
Verpackung: Schuetfgut in TE-Karton
- PRESS OUT FORCE > 25N WITH SPEED 25mm/min  
Kontaktausdrueckkraft > 25N mit Vorschub 25mm/min
- SOLDER HEAT RESISTANCE ACCORDING TO DIN EN 60068-2-20  
Loetbestaendigkeit gemass DIN EN 60068-2-20
- PRODUCT SPECIFICATION 108-18568-0  
Produkt Spezifikation
- PROOFED BY GAUGE 90-244789  
Lehrenpruefung

| PART NO.  | REV. | POS. | QTY. STUECK | DESCRIPTION<br>BENENNUNG | MATERIAL | COLOR/FINISH<br>FARBE/OBERFLAECHE | ADDITIONAL PLATING INFORMATION FOR 1241637-3 |             |                   |        | THIS DRAWING IS A CONTROLLED DOCUMENT.<br>DIMENSIONS: mm | TOLERANCES UNLESS OTHERWISE SPECIFIED:<br>DIN 1901-140 | MATERIAL FINISH | WEIGHT  | CUSTOMER DRAWING |                   |        |                  |
|-----------|------|------|-------------|--------------------------|----------|-----------------------------------|--|-------------|-------------------|--------|--|--|-----------------|---------|------------------|-------------------|--------|------------------|
|           |      |      |             |                          |          |                                   | MATING AREA                                  | SOLDER AREA | PLATING THICKNESS | LENGTH |  |  |                 |         |                  | PLATING THICKNESS | LENGTH |                  |
| 1241637-3 | A    | 3    | 3           | MOS PIN                  | CuMg 0,1 | GOLD PLATED/vergoldet             | MIN. 0.8µm Au OVER Ni                        | 5.5mm       | 3-5µm Sn OVER Ni  | 5.5mm  | 0 PLC ±  | 1 PLC ±  | 2 PLC ±         | 3 PLC ± | 4 PLC ±          | ANGLES ±          | 4.75g  | A100779C=1241637 |
| 1241637-2 | A    | 3    | 3           | MOS PIN                  | CuMg 0,1 | PRETINNED/vorverz.                |  |             |                   |        |  |  |                 |         |                  |                   |        |                  |
| 1241637-1 | A    | 3    | 3           | MOS PIN                  | CuMg 0,1 | PRETINNED/vorverz.                |  |             |                   |        |  |  |                 |         |                  |                   |        |                  |
|           |      | 1    | 1           | MOS, PIN HOUSING         | PBT-GF15 | BLACK/Schwarz                     |  |             |                   |        |  |  |                 |         |                  |                   |        |                  |