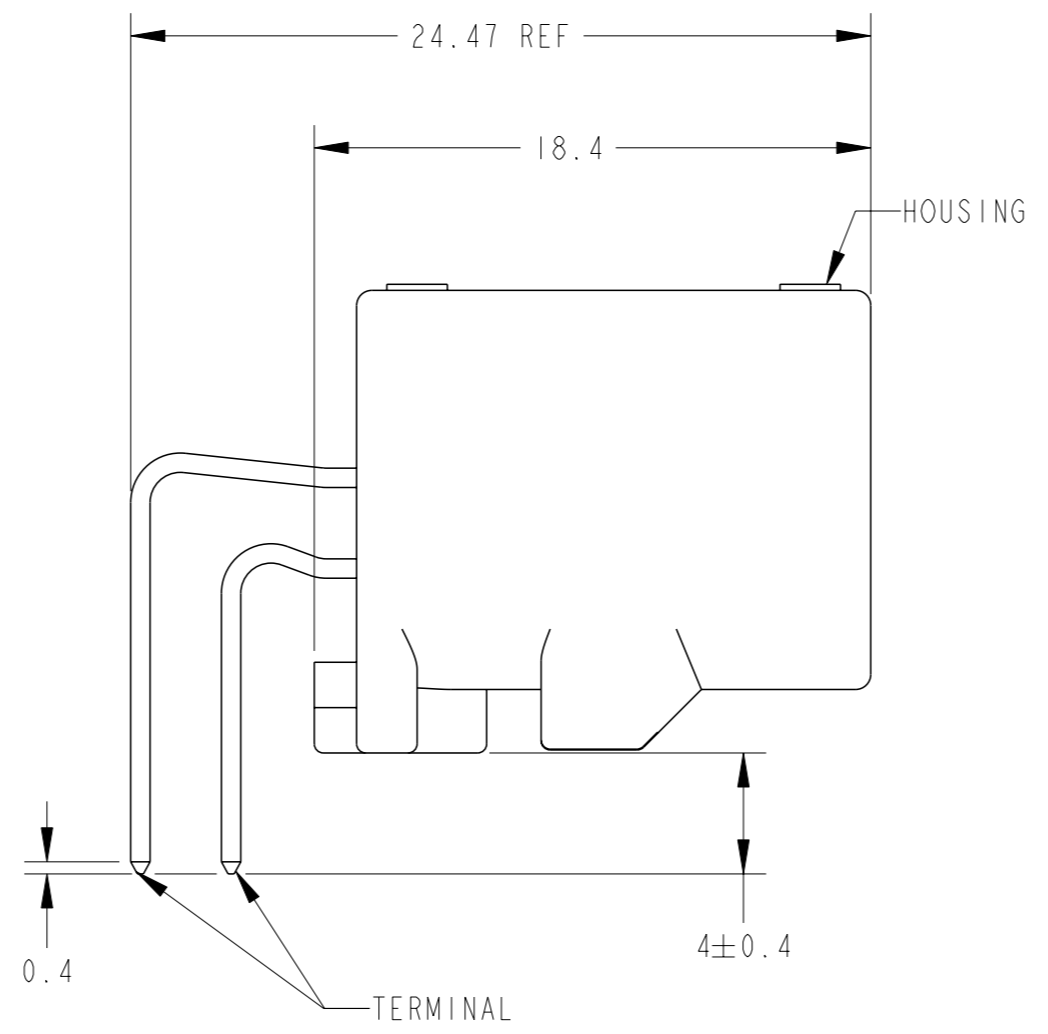
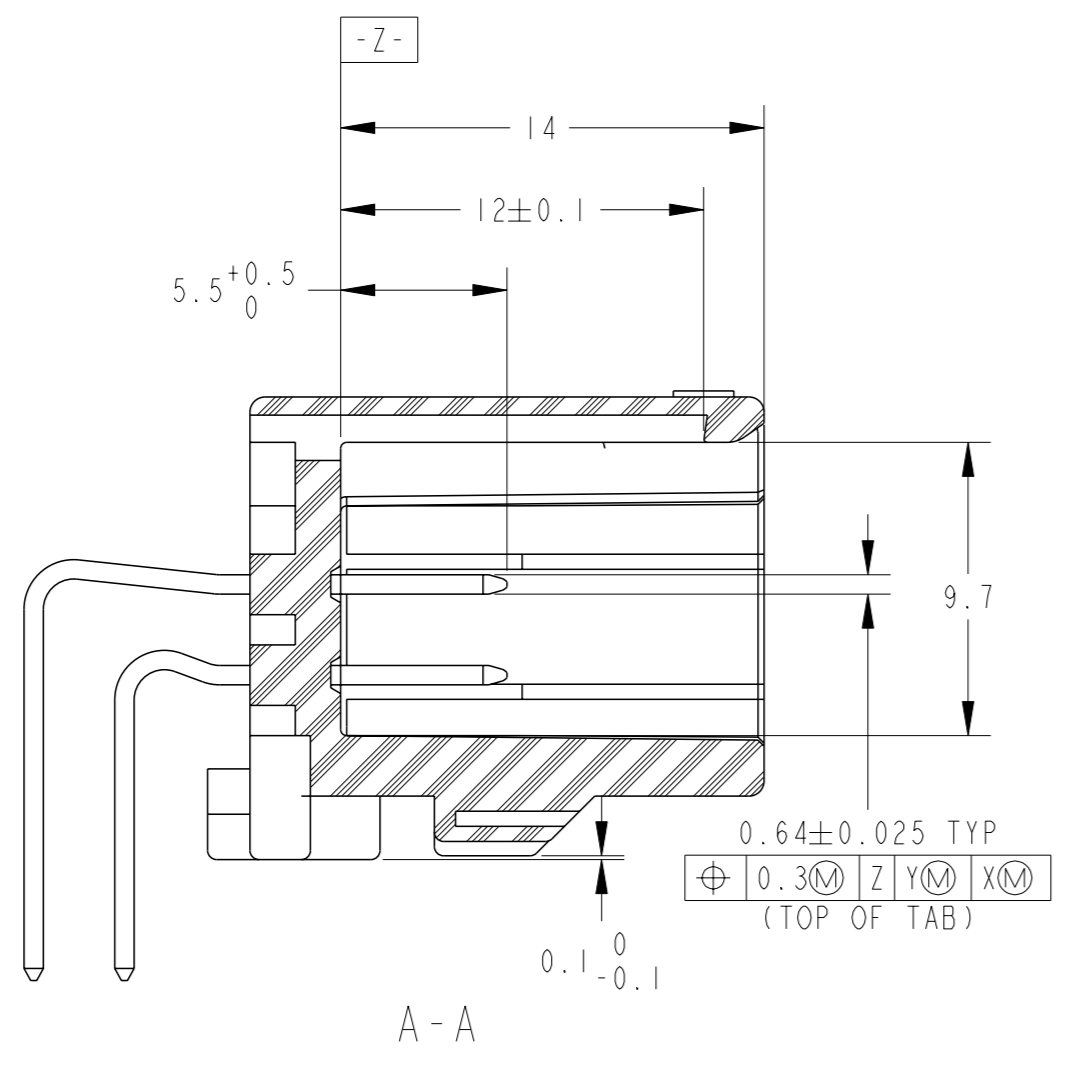
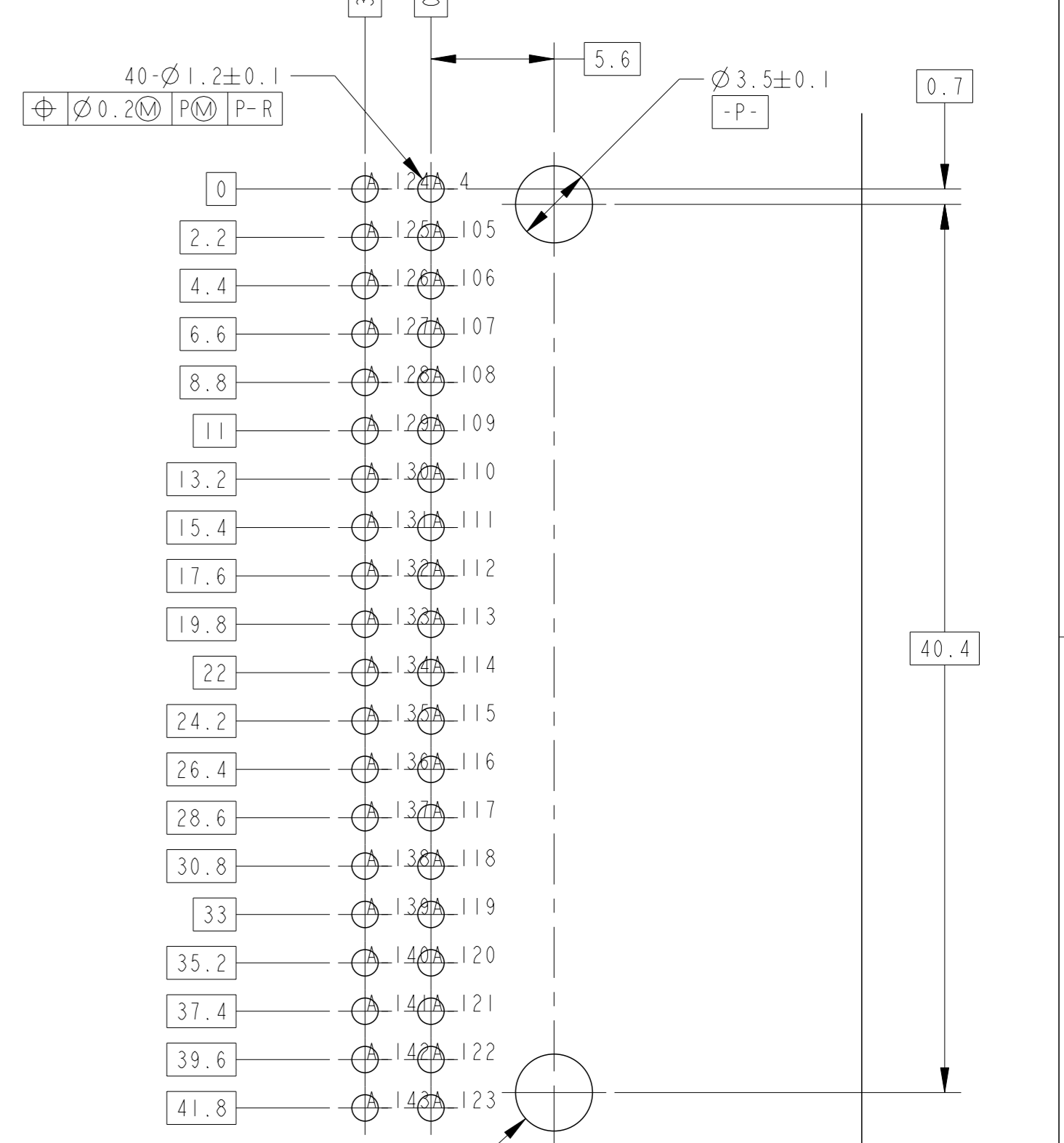
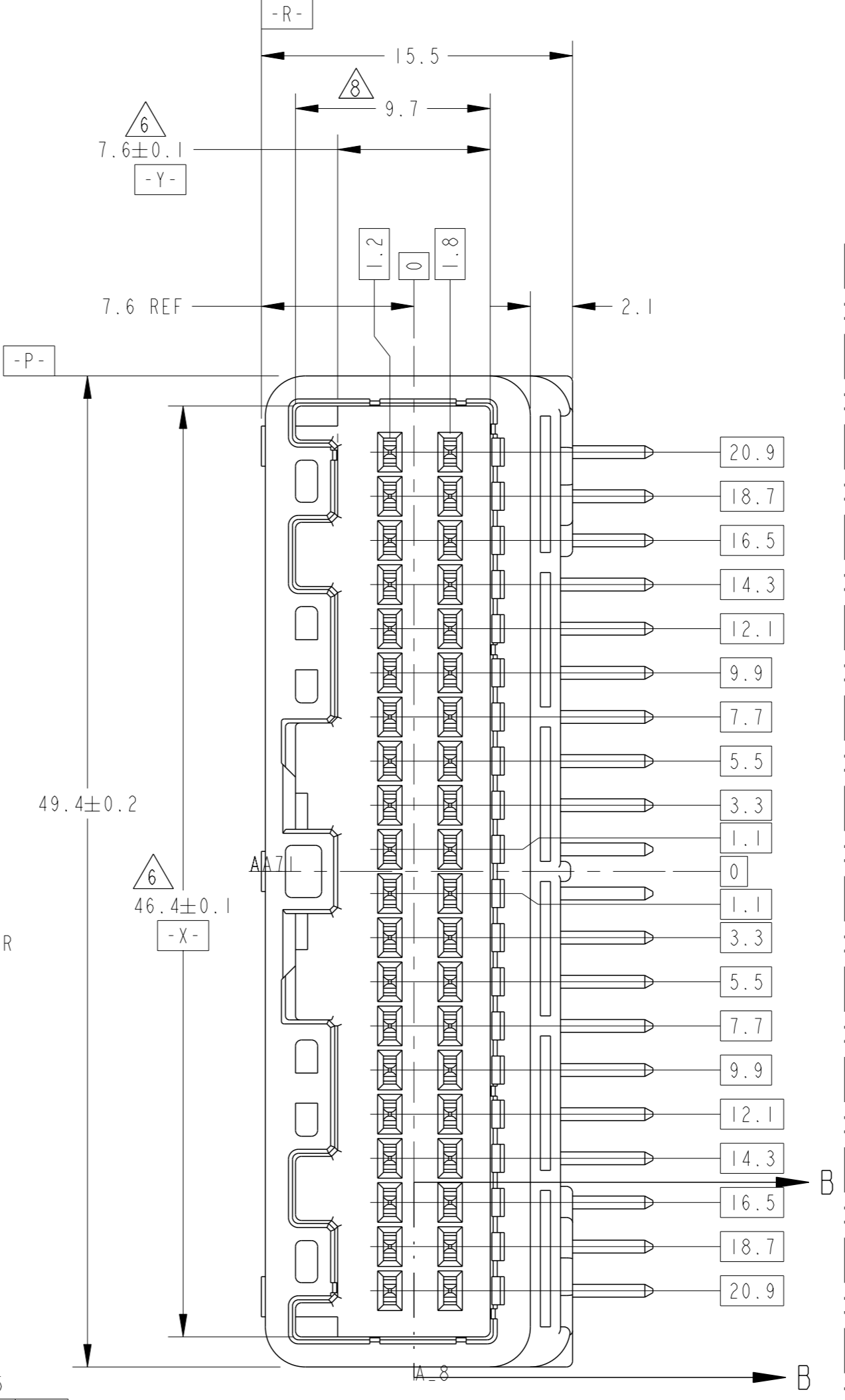
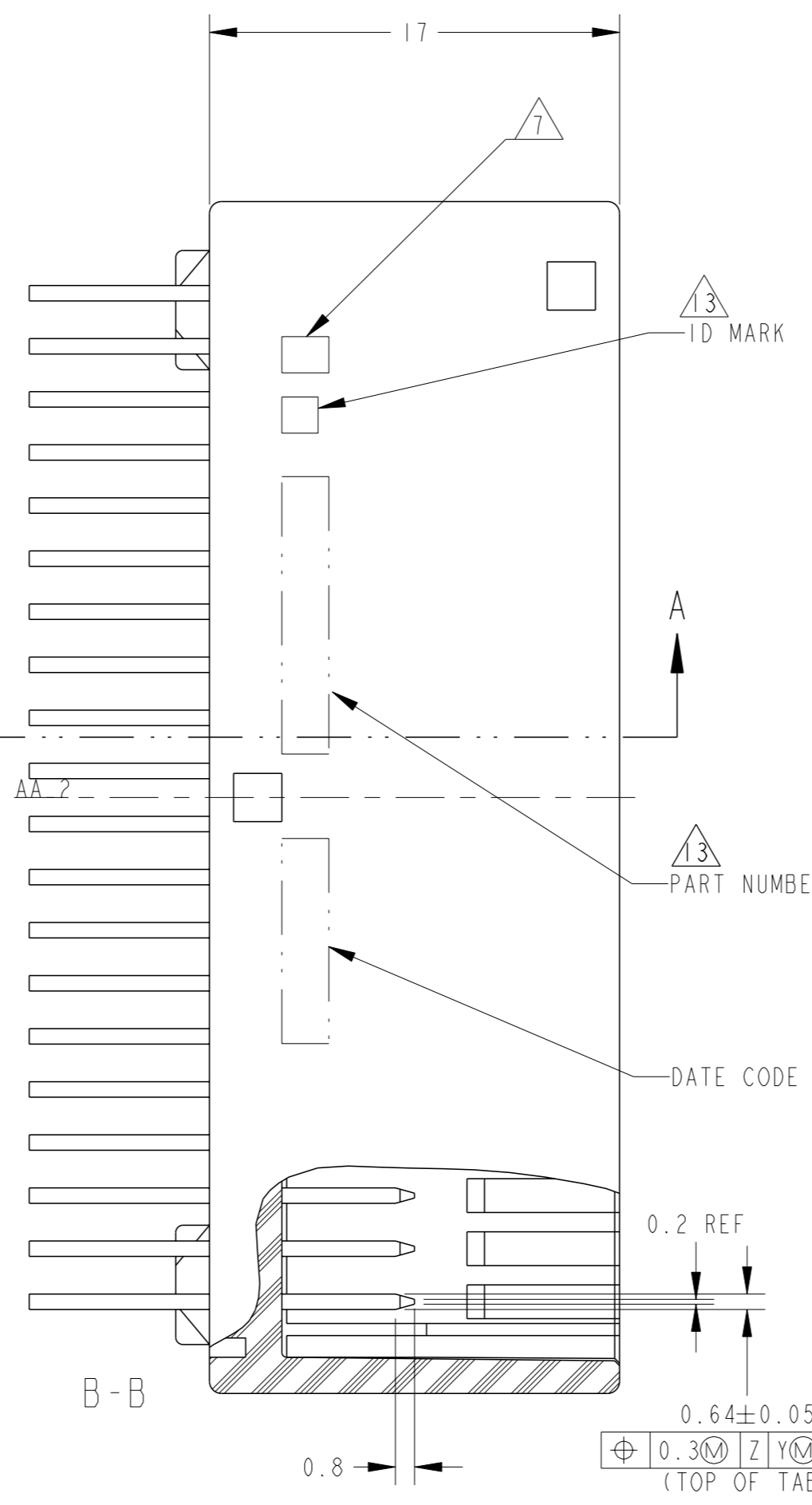
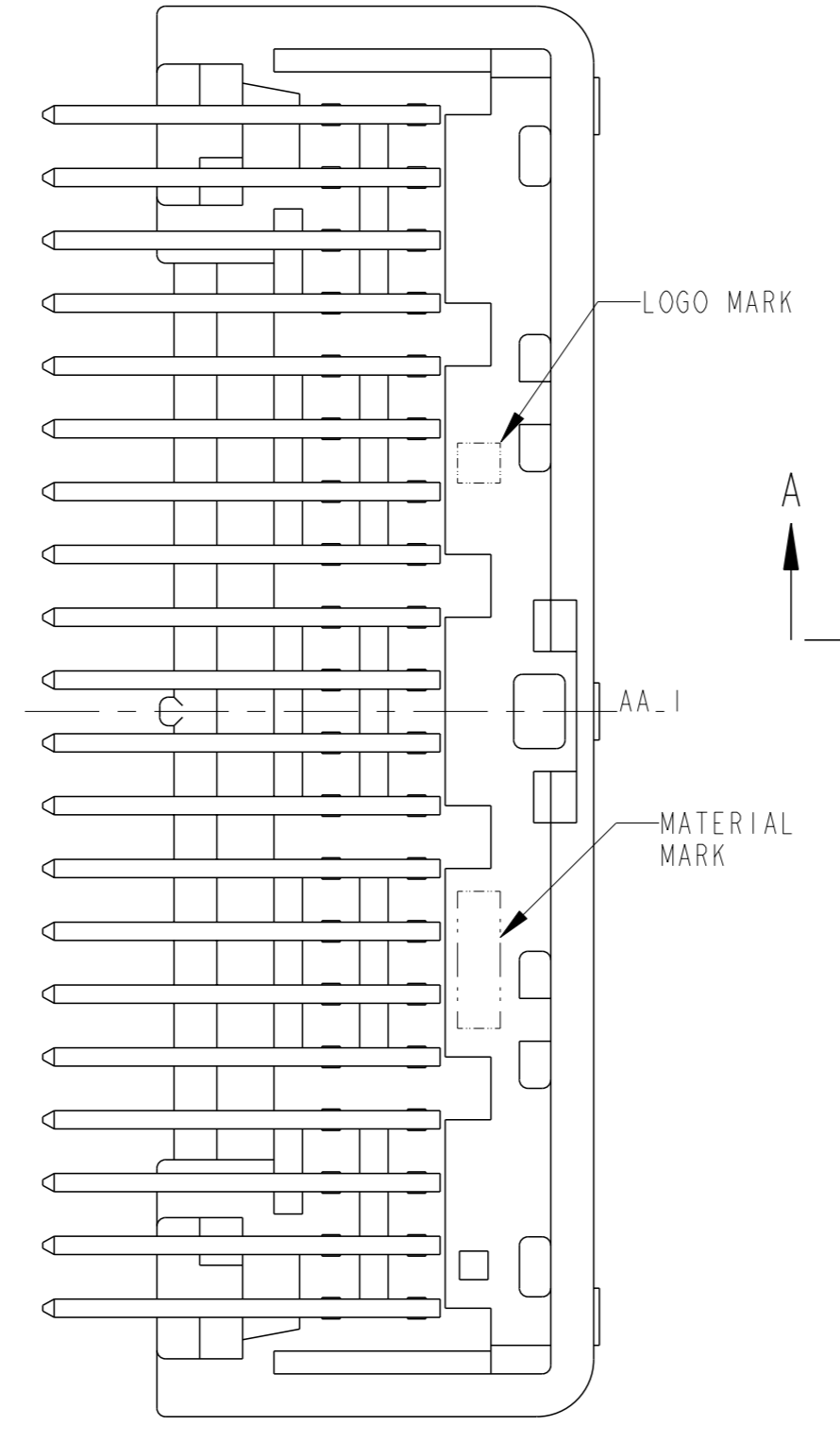
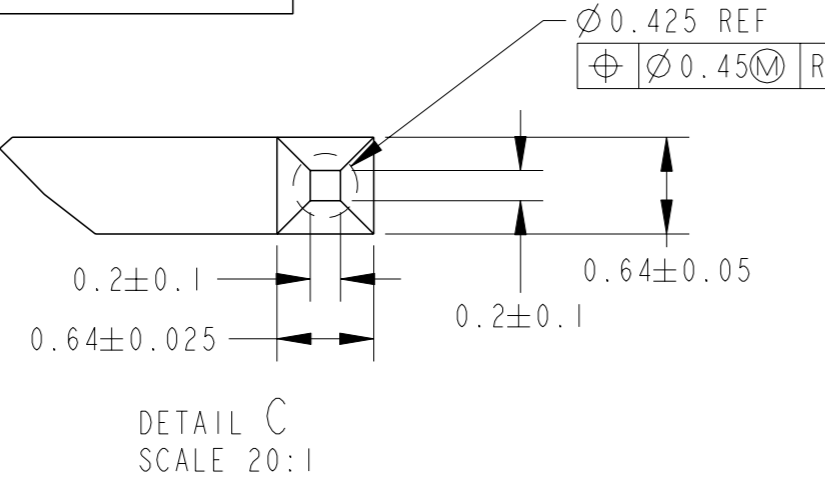
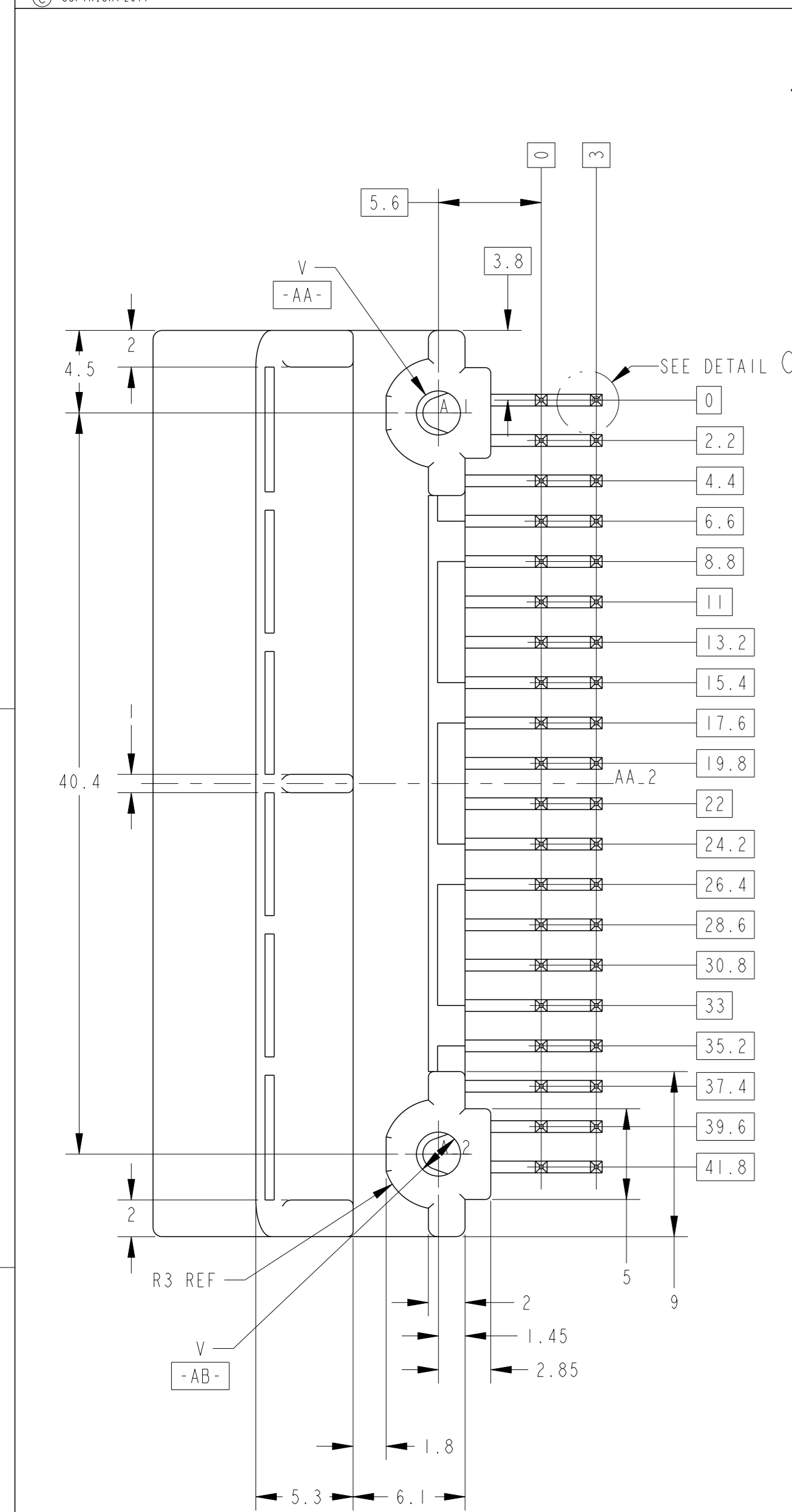


REVISONS		DATE	OWN	APVD
C4	REVISED	ECR-13-006139	11APR2013	TS HY
C5	REVISED	ECR-14-005369	10APR2014	KT RK
C6	OBSOLETE	PN 1318384-7	11NOV2020	PSJ TM
C7	REVISED PER	ECR-23-188923	25SEP2023	AG RK



- PLUG HOUSING TO BE MATED; SEE TABLE-1.
 - DETAIL OF TERMINALS TO BE MATED; SEE TABLE-2.
 - RECOMMENDED SCREW: PAN-HEADED, TYPE 2 TAPPING SCREW, NOMINAL DIAMETER 3mm, LENGTH: SEE TABLE-3 (JIS B1115, B1122).
 - FASTENING TORQUE FOR SCREW(REFERENCE): 0.392N·m MAX.
 - AS FOR THE HANDLING OF THIS PRODUCT, FOLLOW THE INSTRUCTION SHEET No.: 411-5928, 411-78080
- MEASURED AT 6mm FROM [-Z-]
 - IDENTIFICATION MARK OF THE CONTACT FINISH; SEE TABLE.
 - MEASURED AT 2mm FROM [-Z-]
 - PRELIMINARY - NOT RELEASED FOR PRODUCTION.
 - CIRCUIT NUMBER: SEE FIG.1
 - NO IDENTIFICATION MARK OF CONTACT FINISH AND ID MARK
 - GOLD PLATING POSITION: SEE SHEET 20F3.
 - ID MARK, PART NUMBER INDICATED.
- 嵌合相手ハウジング型番: TABLE-1 参照
 - 嵌合相手端子構成: TABLE-2 参照
 - 推奨取付ねじ: JIS B1115, B1122タッピングねじ, ねじ径: 呼び径3, 長さ: TABLE-3参照
 - ねじ締めトルク(参考値): 0.392N·m MAX
 - 本品の取扱いについては、取扱説明書 No.: 411-5928, 411-78080に準じます
- [-Z-] より6mmの位置で測定。
 - コンタクト上識別用マーク; SEE TABLE
 - [-Z-] より2mmの位置で測定。
 - 試作の複製はされていません
 - 回路番号: FIG.1参照
 - コンタクト上識別用マーク及びIDマークの刻印は無し
 - 金めっき位置: SHEET 20F3 参照
 - ID MARK, PART NUMBERを表示。

TABLE-3

プリント基板板厚 (mm) THICKNESS OF PCB (mm)	1.2	1.6
固定用ねじ着下長さ (mm) NOMINAL LENGTH OF SCREW (mm)	5	6

TABLE-1

POS 極数	TYPE	FEMALE HSG メスハウジング PART NO
40	CRIMP	1318389(1), 1674312(111)
40	IDC	1318691 1318695

TABLE-2

POS 極数	APPLICABLE WIRE RANGE (FEMALE) 適用電線 (メス)
SIGNAL 025	40 CAVS/CAVUS 0.22~0.5mm ² AVSS/AVSSH 0.3~0.5mm ²

THIS DRAWING IS A CONTROLLED DOCUMENT.

OWN: N. YASUDA, OBMAROO
 CHK: N. SAI, TOMAROO
 APVD: N. SAI, TOMAROO

DIMENSIONS: 単位: mm
 TOLERANCES UNLESS OTHERWISE SPECIFIED:
 一般公差: ±0.3
 0-PLC: ±0.1
 1-PLC: ±0.15
 2-PLC: ±0.2
 3-PLC: ±0.25
 4-PLC: ±0.3
 ANGLES: 45°
 FINISH: 粗

MATERIAL: HOUSING: SEE TABLE
 CONTACT: BRASS

PRODUCT SPEC: 108-5660
 108-5668, 108-5931
 APPLICATION SPEC: 108-5668, 108-5931

WEIGHT: SEE TABLE
 CUSTOMER DRAWING

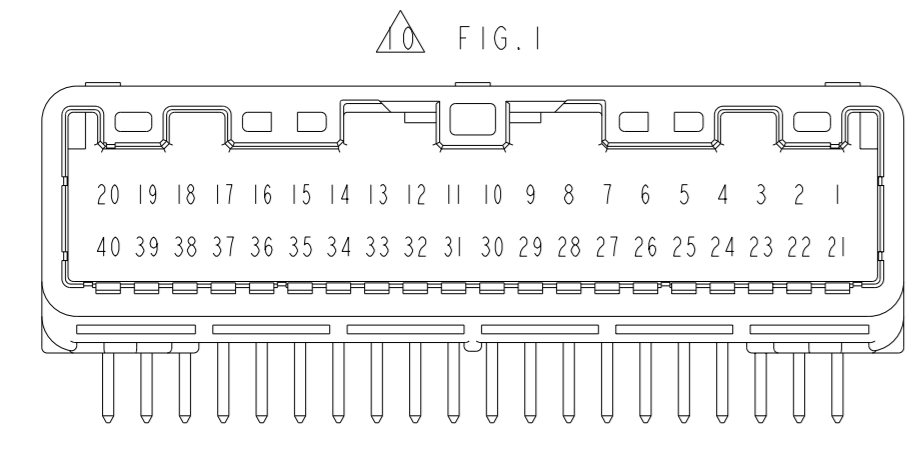
SIZE: A1
 CAGE CODE: 00779
 DRAWING NO: 1318384
 SHEET 1 OF 3
 REV C7

TE Connectivity
 025 SERIES 40P (PCB H-TYPE)
 CAP HSG ASSY

THIS DRAWING IS UNPUBLISHED. RELEASED FOR PUBLICATION 2011
 © COPYRIGHT 2011 ALL RIGHTS RESERVED.

LOC	DIST	REVISIONS					
J	-	P	LTR	DESCRIPTION	DATE	OWN	APVD
		-		SEE SHEET 1			

NO.	QTY	Ø	SIZE	PAPER BOX	PLASTIC TUBE	FINISH	CONTACT	HOUSING	PART NUMBER
7	9.6	Ø 2.4	—	PAPER BOX	PLASTIC TUBE	PRE-TIN x 40	PBT GF15	BLACK	2-1318384-6
16	9.6	Ø 2.4	6, 7, 13, 14, 20, 26, 27, 33, 34, 40	PAPER BOX	PLASTIC TUBE	SELECTIVE-TIN (MATTE)	PBT GF15	NATURAL	2-1318384-4
15	8.4	Ø 2.63	9-11, 13, 14, 16, 29-31, 33, 34, 36-40	PLASTIC BOX	PLASTIC TUBE	SELECTIVE-TIN (BRIGHT) x 24	SPS GF17	BLACK	2-1318384-3
13	8.4	Ø 2.63	9-11, 13, 14, 16, 29-31, 33, 34, 36	PLASTIC BOX	PLASTIC TUBE	SELECTIVE-TIN (MATTE)	SPS GF17	NATURAL	2-1318384-0
60	9.6	Ø 2.4	1-40	PAPER BOX	PLASTIC TUBE	SELECTIVE-TIN (MATTE)	PBT GF15	NATURAL	6318384-5
9	9.6	Ø 2.4	—	PAPER BOX	PLASTIC TUBE	SELECTIVE-TIN (MATTE)	PBT GF15	NATURAL	1-1318384-9
12	9.6	Ø 2.4	8-13, 28-33	PAPER BOX	PLASTIC TUBE	SELECTIVE-TIN (MATTE)	PBT GF15	NATURAL	1-1318384-8
11	8.4	Ø 2.63	6-8, 10, 11, 25, 27, 28, 30, 31	PLASTIC BOX	PLASTIC TUBE	SELECTIVE-TIN (MATTE)	SPS GF17	NATURAL	1-1318384-7
10	9.6	Ø 2.4	6-8, 10, 11, 25, 27, 28, 30, 31	PLASTIC BOX	PLASTIC TUBE	SELECTIVE-TIN (MATTE)	PBT GF15	NATURAL	1-1318384-6
OBSOLETE	10	Ø 2.4	6-8, 10, 11, 25, 27, 28, 30, 31	PAPER BOX	PLASTIC TUBE	SELECTIVE-TIN (MATTE)	PBT GF15	NATURAL	1-1318384-5
9	9.6	Ø 2.4	—	PAPER BOX	PLASTIC TUBE	SELECTIVE-TIN (MATTE)	PBT GF15	BLACK	1-1318384-4
8	8.4	Ø 2.63	—	PAPER BOX	PLASTIC TUBE	SELECTIVE-TIN (MATTE)	SPS GF17	NATURAL	1-1318384-3
8	8.4	Ø 2.63	—	PLASTIC BOX	PLASTIC TUBE	SELECTIVE-TIN (MATTE)	SPS GF17	NATURAL	1-1318384-2
OBSOLETE	6	Ø 2.4	//	PAPER BOX	PLASTIC TUBE	SELECTIVE-TIN	PBT GF15	NATURAL	1-1612446-0
7	9.6	Ø 2.4	—	PLASTIC BOX	PLASTIC TUBE	PRE-TIN x 40	PBT GF15	BLACK	1-1318384-0
OBSOLETE	6	Ø 2.4	//	PLASTIC BOX	PLASTIC TUBE	SELECTIVE-TIN	PBT GF15	NATURAL	1318384-9
OBSOLETE	5	Ø 2.4	8-13, 28-33	PAPER BOX	PLASTIC TUBE	SELECTIVE-TIN	PBT GF15	NATURAL	1318384-8
—	9.6	Ø 2.4	1-40	PAPER BOX	PLASTIC TUBE	TIN LEAD	PBT GF15	NATURAL	1318384-5
OBSOLETE	4	Ø 2.4	6-8, 10, 11, 25, 27, 28, 30, 31	PLASTIC BOX	PLASTIC TUBE	SELECTIVE-TIN	PBT GF15	NATURAL	1318384-7
OBSOLETE	4	Ø 2.4	6-8, 10, 11, 25, 27, 28, 30, 31	PAPER BOX	PLASTIC TUBE	SELECTIVE-TIN	PBT GF15	NATURAL	1318384-6
3	9.6	Ø 2.4	—	PAPER BOX	PLASTIC TUBE	POST-TIN x 40	PBT GF15	NATURAL	1318384-4
OBSOLETE	//	Ø 2.4	//	//	//	//	//	//	1318384-3
1	9.6	Ø 2.4	—	PAPER BOX	PLASTIC TUBE	PRE-TIN x 40	PBT GF15	NATURAL	1318384-2
1	9.6	Ø 2.4	—	PLASTIC BOX	PLASTIC TUBE	PRE-TIN x 40	PBT GF15	NATURAL	1318384-1
MARKING	WEIGHT(g)	V	GOLD PLATING POSITION	PACKING STYLE	SOLDERING SIDE	CONTACT SIDE	MATERIAL	COLOR	PART NUMBER
マーキング	重量			梱包形態	半田付け部	接点部	材料	色	部品番号



THIS DRAWING IS A CONTROLLED DOCUMENT.

DIMENSIONS: 単位: mm	TOLERANCES UNLESS OTHERWISE SPECIFIED: 公差	OWN: M. YASUDA	CHK: N. SAI	APVD: N. SAI	NAME: 20
0 PLC ±0.1	1 PLC ±0.01	2 PLC ±0.001	3 PLC ±0.001	4 BPC ±0.0001	5 R0.05
MATERIAL: SEE SHEET 1 OF 3	FINISH: SEE SHEET 1 OF 3	PRODUCT SPEC: SEE SHEET 1 OF 3	APPLICATION SPEC: SEE SHEET 1 OF 3	WEIGHT: SEE SHEET 1 OF 3	SIZE: A2

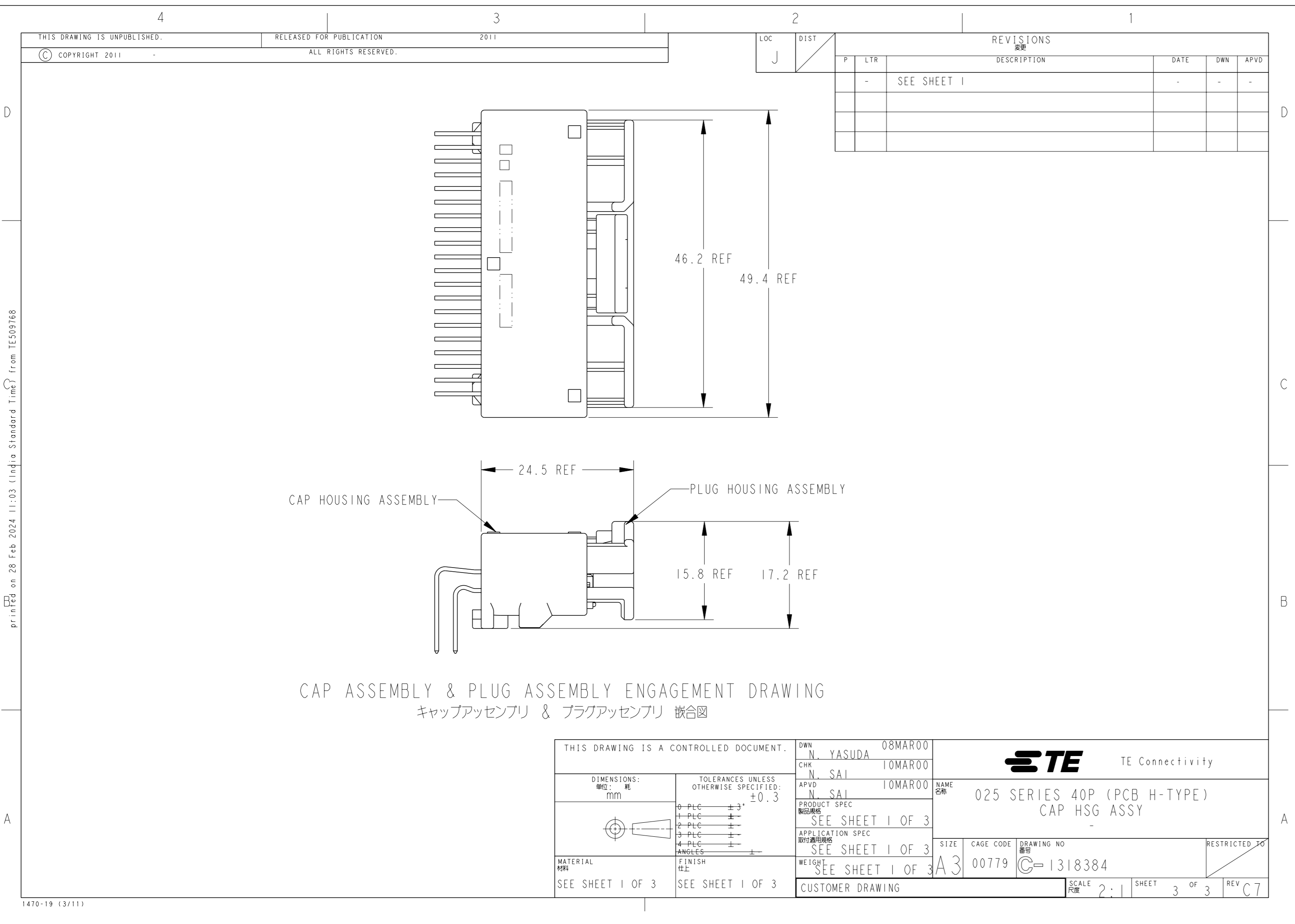
025 SERIES 40P (PCB H-TYPE) CAP HSG ASSY

STE TE Connectivity

00779 C=1318384

SCALE: 4:1 SHEET: 2 OF 3 REV: C7

PRINTED on 28 Feb 2024 11:03 (India Standard Time) from IES09188



THIS DRAWING IS UNPUBLISHED. RELEASED FOR PUBLICATION 2011. ALL RIGHTS RESERVED.

REV	DATE	BY	CHKD	DESCRIPTION
1	-	-	-	SEE SHEET 1

THIS DRAWING IS A CONTROLLED DOCUMENT.		OWN: N. YASUDA 08MAR00	STE TE Connectivity	
DIMENSIONS: UNLESS OTHERWISE SPECIFIED: mm		CHK: N. SAI 10MAR00		
TOLERANCES UNLESS OTHERWISE SPECIFIED: ±0.3		APVD: N. SAI 10MAR00	NAME: 025 SERIES 40P (PCB H-TYPE) CAP HSG ASSY	
MATERIAL: SEE SHEET 1 OF 3		FINISH: SEE SHEET 1 OF 3	SIZE: A3	CAGE CODE: 00779
WEIGHT: SEE SHEET 1 OF 3		DRAWING NO: 1318384		RESTRICTED TO: []
CUSTOMER DRAWING		SCALE: 2:1		SHEET 3 OF 3 REV C7