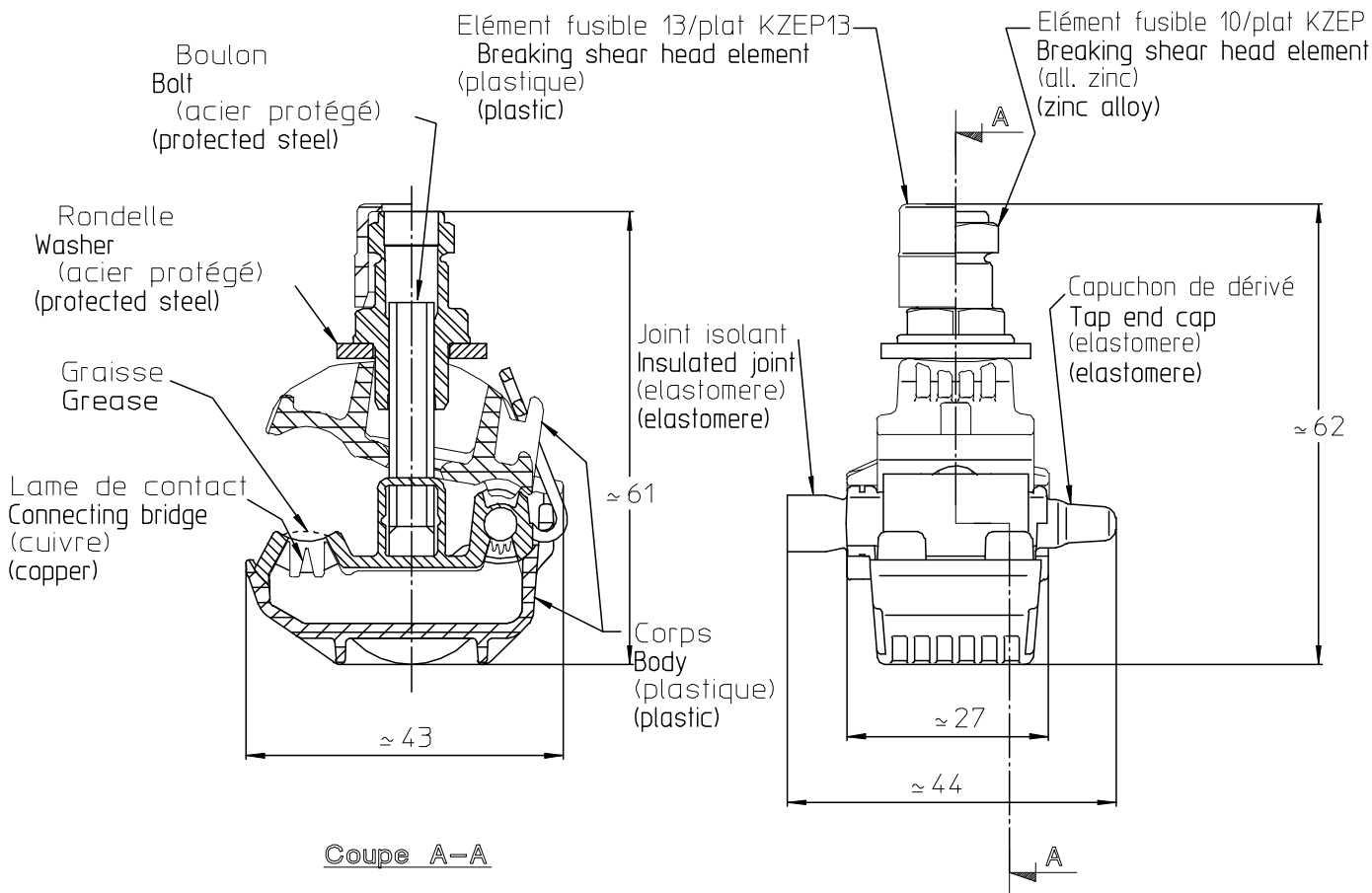


LOC		DIST		REVISIONS				
P	LTR REV	DESCRIPTION MODIFICATIONS			DATE	DWN DESS.	APVD APP.	
	A	EQ00-0345-04			22/07/04	DM	JCT	
	B	EQ00-0563-06			22/12/06	DM	AG	
	C	MODIF TRAITEMENT			24/05/07	FB	DM	



Marquage/Marking: REFERENCE, CAPACITES, DATE

PN	Code SIMEL	Ref SIMEL	CAPACITES - CAPACITIES		Couple de rupture de l'élément fusible Breaking shear head torque	Clé de serrage à douille hexagonale Hexagonal wrench
			Principal Main	Dérivé Tap		
1351228-1	024657	KZEP	16-95 mm ²	15-10 mm ²	7 Nm (6,6 to 8 Nm)	10 mm
-----	-----	KZEP13	16-95 mm ²	15-10 mm ²	7 Nm (6,6 to 8 Nm)	13 mm

RELEASED FOR PUBLICATION

ALL RIGHTS RESERVED
TOUS DROITS RÉSERVÉS

BY TYCO ELECTRONICS SIMEL

THIS DRAWING IS UNPUBLISHED.
DIFFUSION RESEINTE AMP

COPYRIGHT 19



DIMENSIONS: mm	DWN /DESSINE D MERCUZOT	14/09/99	MATERIAL MATIERE	-	FINISH FINITION	-
	CHK /VERIFIE C TISSE	-	SIMEL PRODUCTS			
TOLERANCES UNLESS OTHERWISE SPECIFIED PER TOLERANCES NON SPECIFIEES SELON :	APVD /APPROUVE G PORCHERAY	-				
	PRODUCT SPEC SPEC. PRODUIT	-	NAME TITRE KZEP / KZEP13			
	APPLICATION SPEC SPEC. APPLICATION	-	SIZE FORMAT A4	CAGE CODE 00779	DRAWING NO No PLAN © = 1351228	RESTRICTED TO RESERVE A AMP CHINA
	WEIGHT MASSE APPROX.	-	UNIQUEMENT POUR REFERENCE		SCALE ECHELLE 1:1	SHEET FEUILLE 1 OF 1 DE 1
CUSTOMER DWG / PLAN CLIENT						