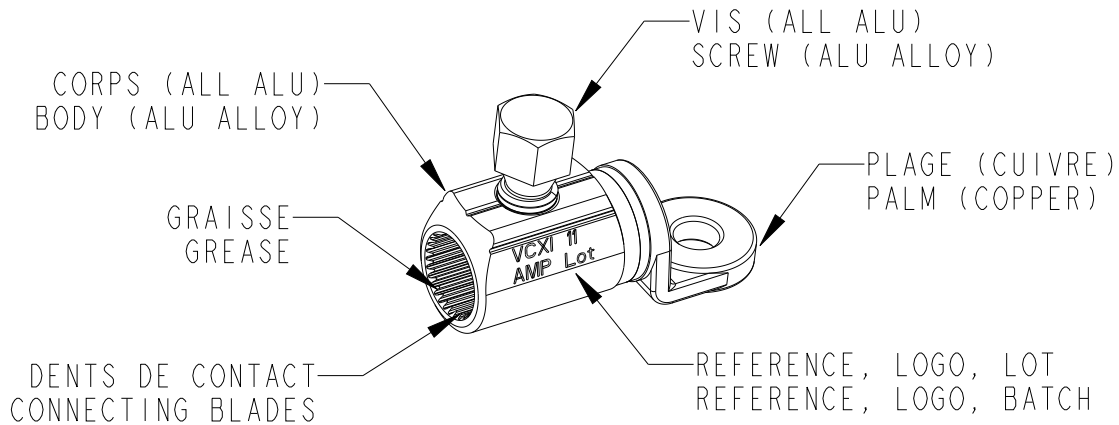
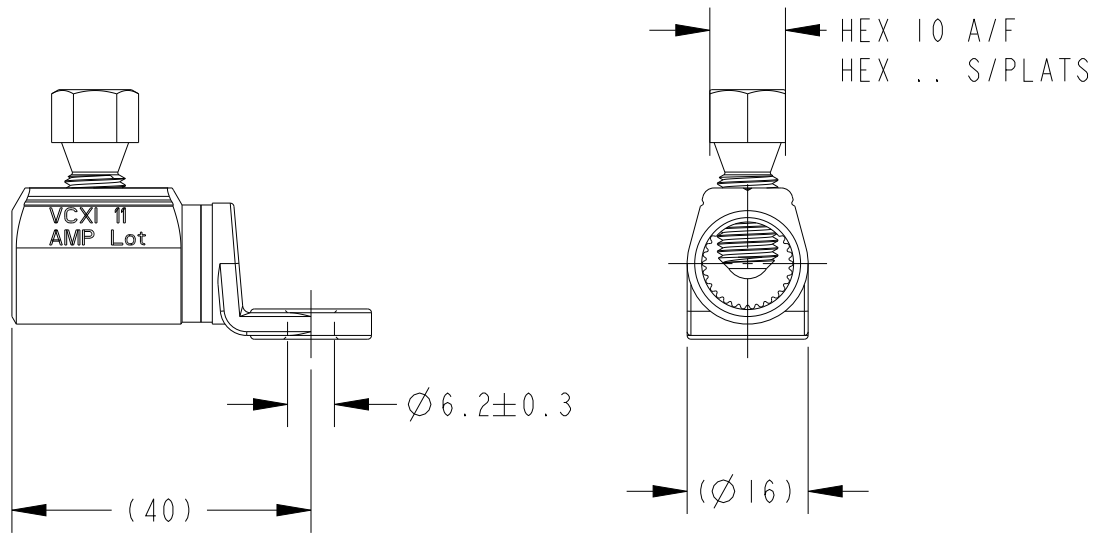


REVISIONS					
P	LTR REV	DESCRIPTION MODIFICATIONS	DATE	DWN DESS.	APVD APP.
	A	INITIAL RELEASE	21SEP2021	RK	JL



1351532-1	EN SACHET PAR 4 4 IN PLASTIC BAG	VCXI II	25 A 70mm2 25 TO 70mm2	22mm	10Nm ±1
1351532-2	EN SACHET PAR 2 2 IN PLASTIC BAG				
PN	CONDITIONNEMENT PACKAGING	REFERENCE	CAPACITES CAPACITIES	LONG. INTRODUCTION DU CABLE CABLE INTRODUCTION LENGTH	COUPLE RUPTURE NOMINAL TORQUE

LIBRE A LA DIFFUSION
TOUS DROITS RESERVES.

All Rights Reserved.

DIMENSIONS: mm		DWN/DESSINE J. BERLAND	IIFEB00	MATERIAL MATIERE	-	TOLERANCES UNLESS OTHERWISE SPECIFIED TOLERANCES NON SPECIFIEES:	-			
 TOLERANCES UNLESS OTHERWISE SPECIFIED: TOLERANCES NON SPECIFIEES (SUIV NB DE DECIMALES): 0 PLC/DEC: ±0 1 PLC/DEC: ±0 2 PLC/DEC: ±0 3 PLC/DEC: ±0 4 PLC/DEC: ±0 ANGLES ±- 		CHK/VERIFIE L. MAINIER	-							
		APVD/APPROUVE N. ALMEIDA	-							
		PRODUCT SPEC SPEC. PRODUIT	-	NAME TITRE	VCXI II					
		APPLICATION SPEC SPEC. APPLICATION	-	SIZE FORMAT	A4	CAGE CODE	00779	DRAWING NO No PLAN	C=1351532	RESTRICTED TO RESERVE A
WEIGHT MASSE APPROX.		31g		CUSTOMER DRAWING /PLAN CLIENT		UNIQUEMENT POUR REFERENCE	SCALE ECHELLE 1:1	SHEET FEUILLE	OF DE	REV A