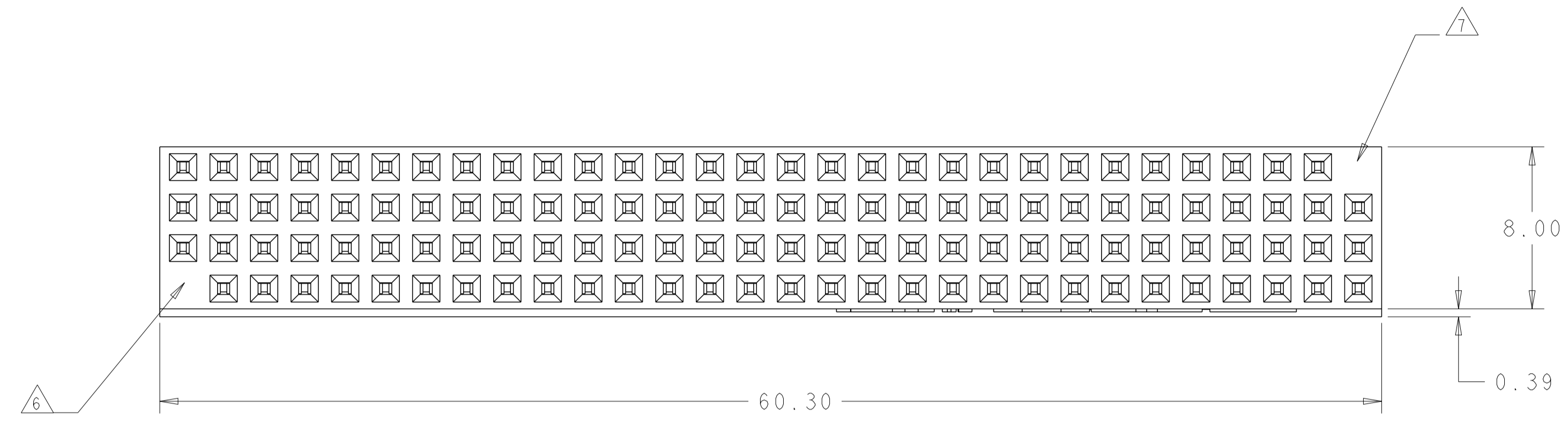
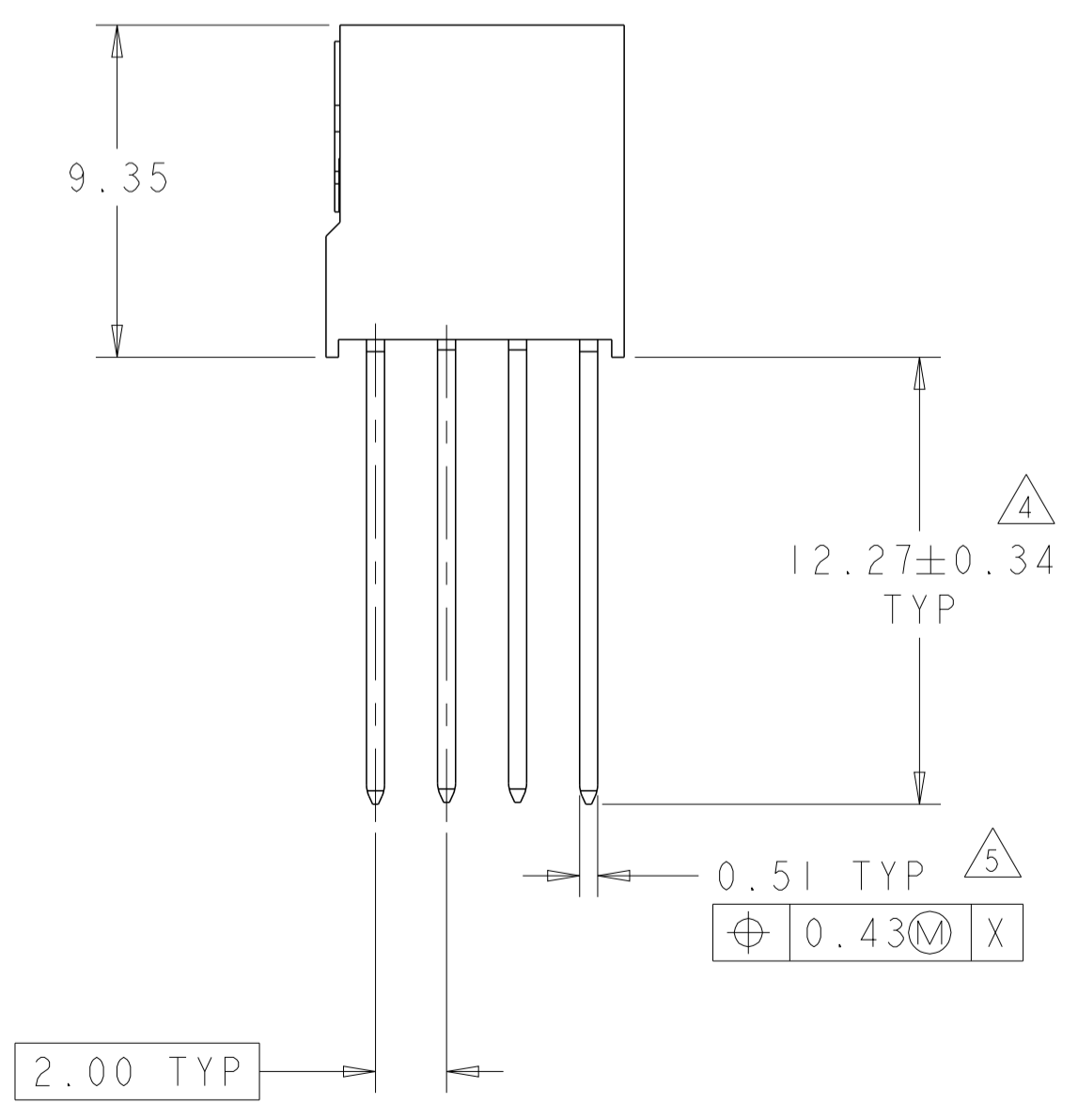
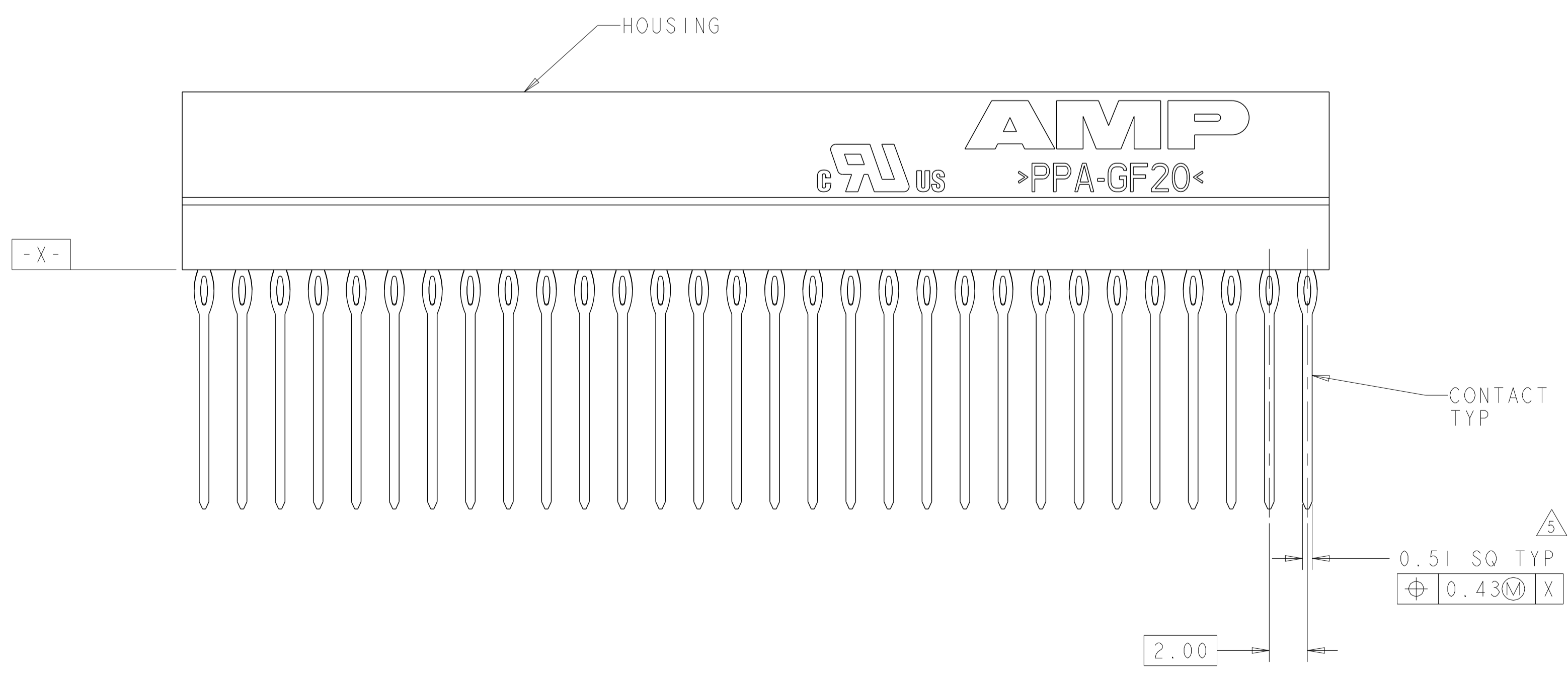


REVISIONS				
P	LTN	DESCRIPTION	DATE	APVD
H4		REVISED PER ECO-16-008038	27MAY2016	NK JO
J		REVISED PER ECO-18-012301	06AUG2018	RS JO



- 1 HOUSING: HIGH TEMPERATURE, GLASS FILLED NYLON, COLOR: BLACK. CONTACTS: PHOSPHOR BRONZE.
- 2 CONTACTS: 0.000381 MIN GOLD ON MATING RECEPTACLE END, 0.000130 MIN GOLD ON REMAINDER, ALL OVER 0.001270 NICKEL.
- 3 PCB HOLE RECOMMENDATIONS:
 A. DRILL HOLE DIAMETER TO BE 1.00±0.02.
 B. PLATING TO BE 0.005 MIN TIN-LEAD OVER 0.025-0.075 COPPER.
 C. RECOMMENDED FINISH HOLE SIZE IS 0.88±0.08.
- 4 DIMENSION AFTER SEATING TO PCB.
- 5 POSITION TOLERANCE APPLIES AFTER CONNECTOR IS PRESSED ONTO PC BOARD.
- 6 NO CONTACT IN THIS POSITION FOR PART NUMBER 1375799-2 ONLY.
- 7 NO CONTACT IN THIS POSITION FOR PART NUMBER 1375799-3 ONLY.
- 8 CONTACT FINISH: 0.000381 MIN GOLD ON MATING RECEPTACLE END, 0.00254-0.00508 TIN ON COMPLIANT AREA, 0.000130 MIN GOLD ON REMAINDER, ALL OVER 0.001270 NICKEL.
- 9 TO BE USED ON SILVER IMMERSION PLATED PCB'S (NOTE 10).
- 10 PCB HOLE RECOMMENDATIONS FOR SILVER IMMERSION PLATING:
 A. DRILL HOLE DIAMETER TO BE 1.00-1.02.
 B. PLATING TO BE 0.0001524-0.0004064 SILVER OVER 0.0508±0.0254 COPPER.
 C. RECOMMENDED FINISH HOLE SIZE IS 0.94-0.97.
- 11 PCB HOLE RECOMMENDATIONS FOR ENIG PLATING:
 A. DRILL HOLE DIAMETER TO BE 1.00-1.02.
 B. PLATING TO BE 0.000051-0.000127 GOLD OVER 0.00305-0.00610 NICKEL ALL OVER 0.0508±0.0254 COPPER.
 C. RECOMMENDED FINISH HOLE SIZE IS 0.94-0.97.
- 12 TO BE USED ON STANDARD PCB (NOTE 3) OR ENIG PLATED PCB (NOTE 11).



FINISH	KEYED CIRCUITS	PART NO
8	YES 7	1375799-6
8	YES 6	1375799-5
8	NO	1375799-4
2	YES 7	1375799-3
2	YES 6	1375799-2
2	NO	1375799-1

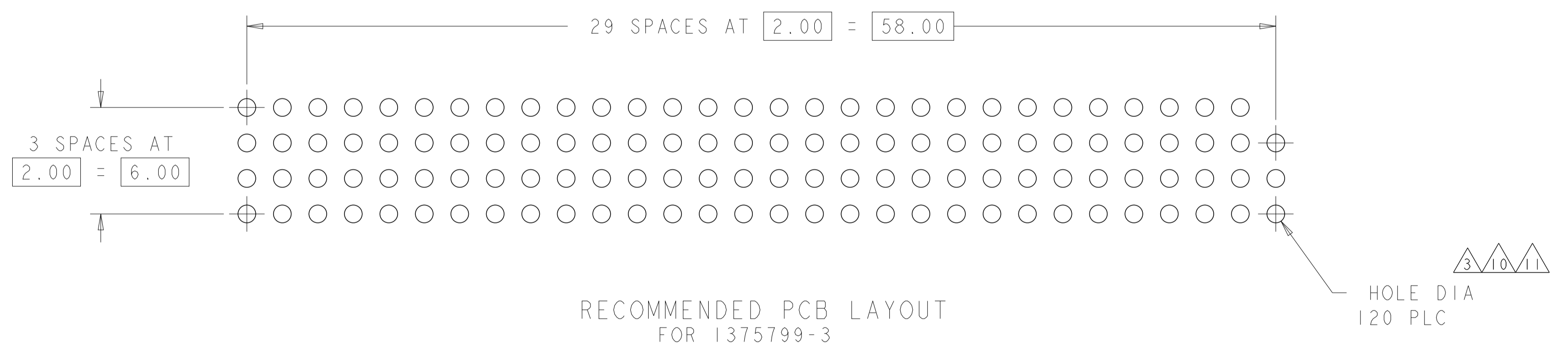
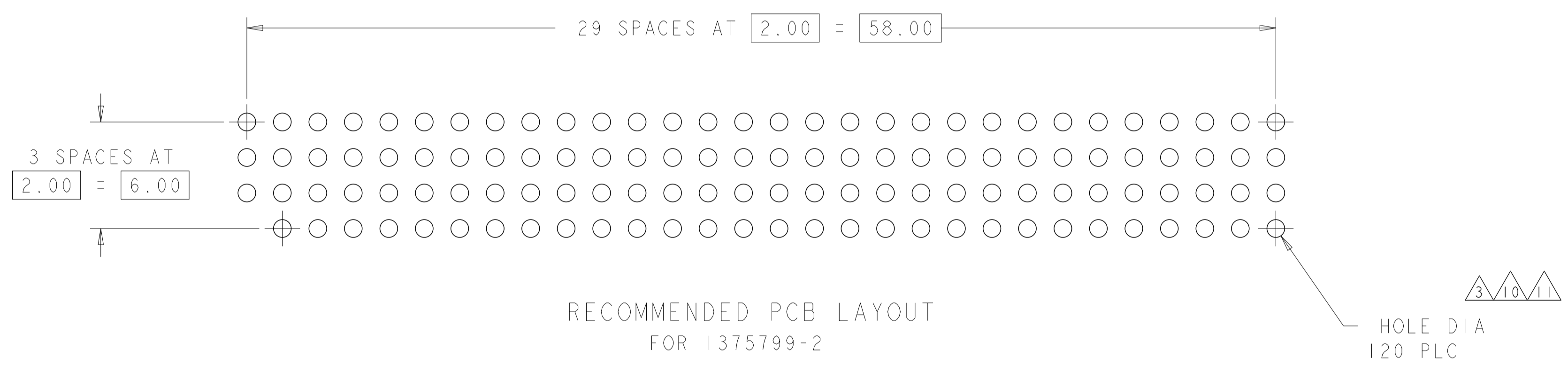
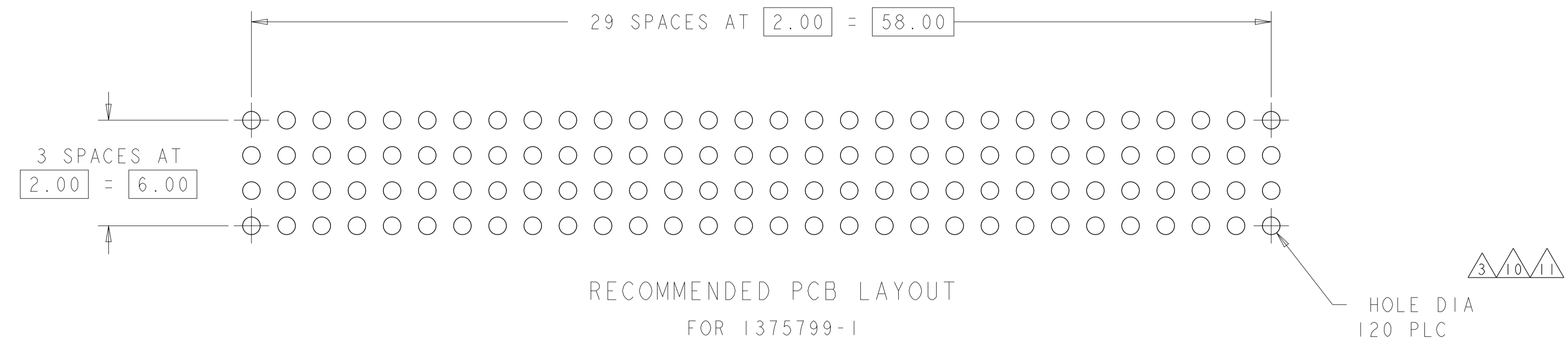
THIS DRAWING IS A CONTROLLED DOCUMENT. DWG: H.G. LENKER 20JUN2000
 CHK: L. BREKOSKY 15JAN2001
 APVD: J. OLSON 13JAN2001

STE TE Connectivity

NAME: ASSEMBLY, PC/104-PLUS, STACKTHROUGH CONTACTS, PRESS FIT
 PRODUCT SPEC: 108-1956
 APPLICATION SPEC: 114-13021
 WEIGHT: -

CUSTOMER DRAWING SCALE: 5:1 SHEET 1 OF 2 REV J

REVISIONS				
P.	LTN	DESCRIPTION	DATE	APVD
-	-	SEE SHEET 1	-	-



THIS DRAWING IS A CONTROLLED DOCUMENT.		DWN: W.G. LENKER 20JUN2000	TE Connectivity
DIMENSIONS: mm		CHK: L. BREKOSKY 15JAN2001	
TOLERANCES UNLESS OTHERWISE SPECIFIED: 0 PLC ± 1 PLC ±0.13 2 PLC ± 3 PLC ± 4 PLC ± ANGLES ± FINISH		APVD: J. OLSON 13JAN2001	NAME: ASSEMBLY, PC/104-PLUS, STACKTHROUGH CONTACTS, PRESS FIT
MATERIAL		PRODUCT SPEC: 108-1956	RESTRICTED TO:
		APPLICATION SPEC: 114-13021	SIZE: A
		WEIGHT: -	CAGE CODE: 100779
		CUSTOMER DRAWING	DRAWING NO: 1375799
		SCALE: 5:1	SHEET 2 OF 2
			REV J