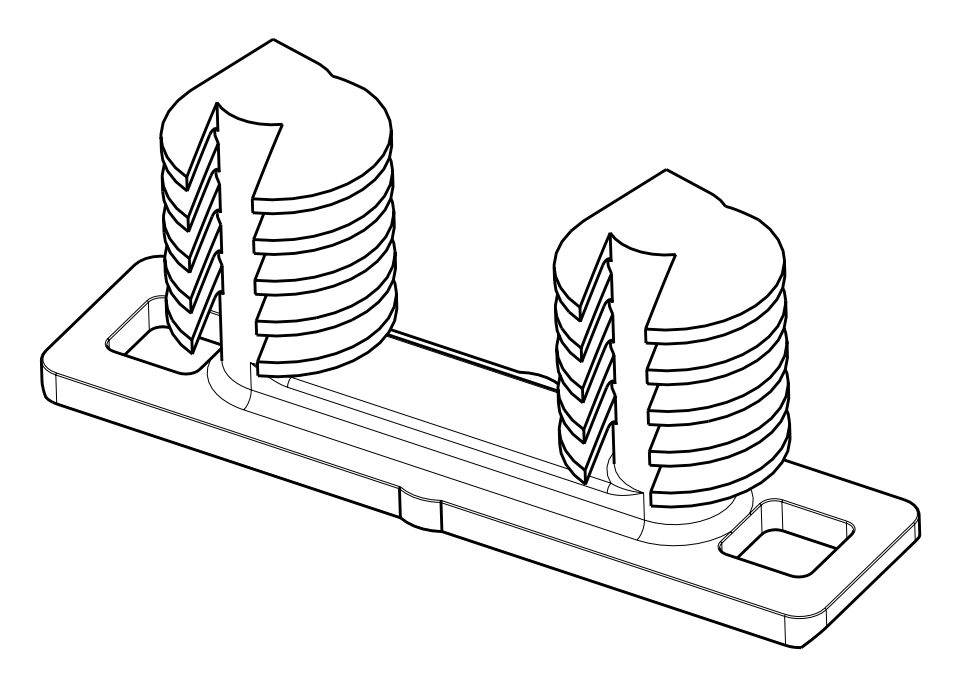
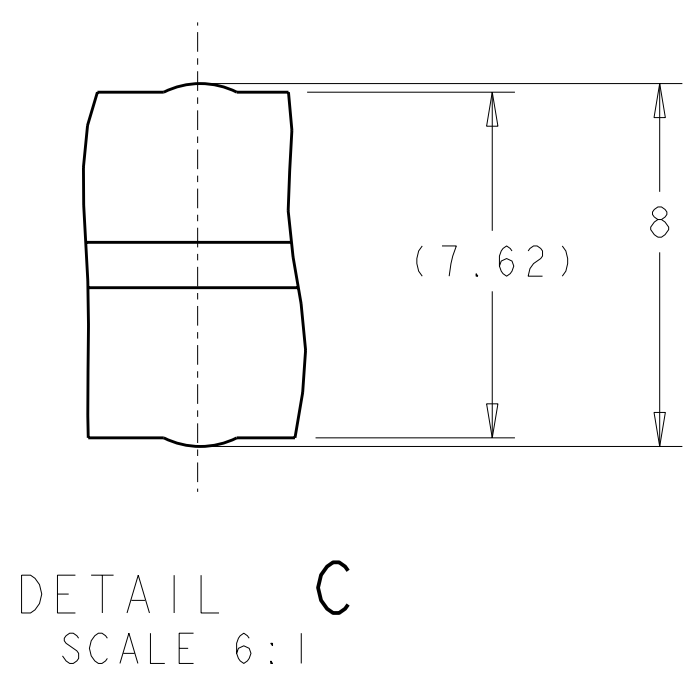
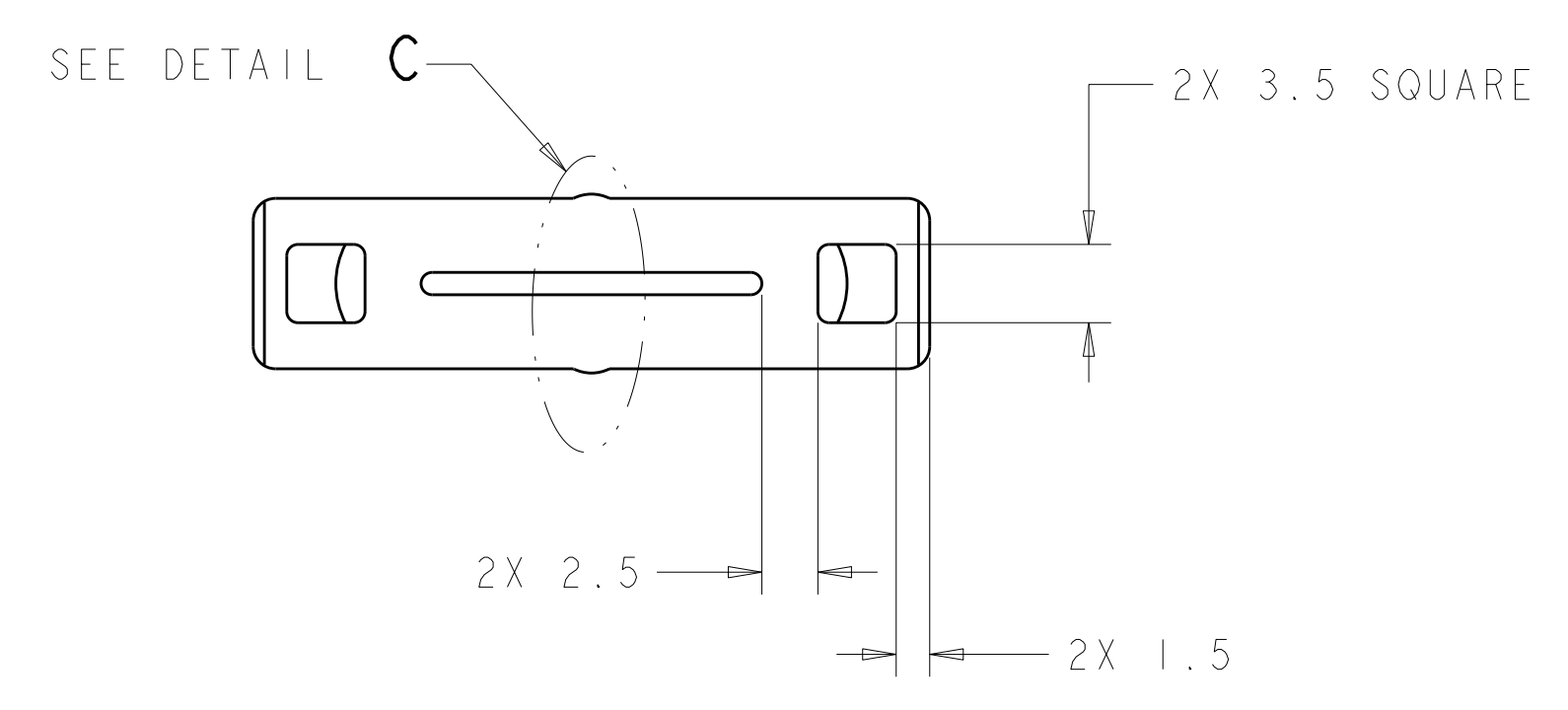
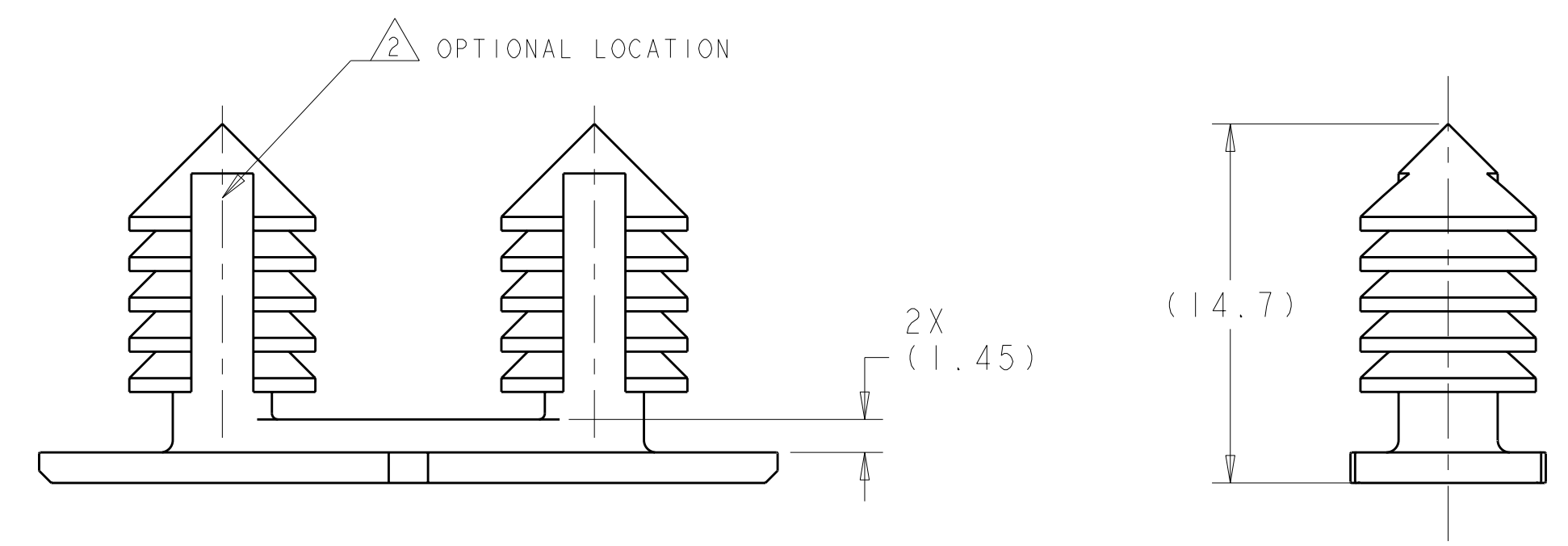
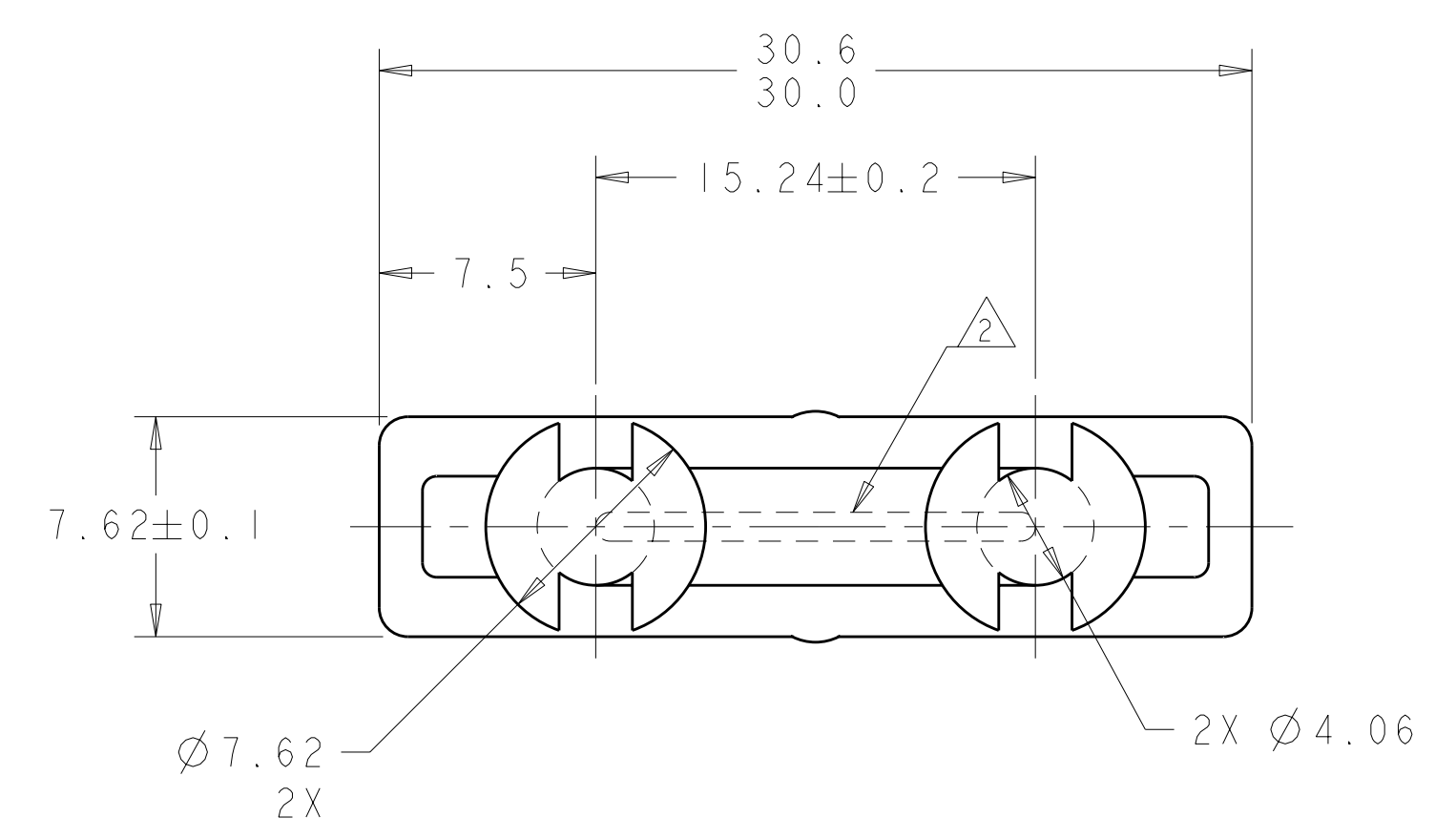
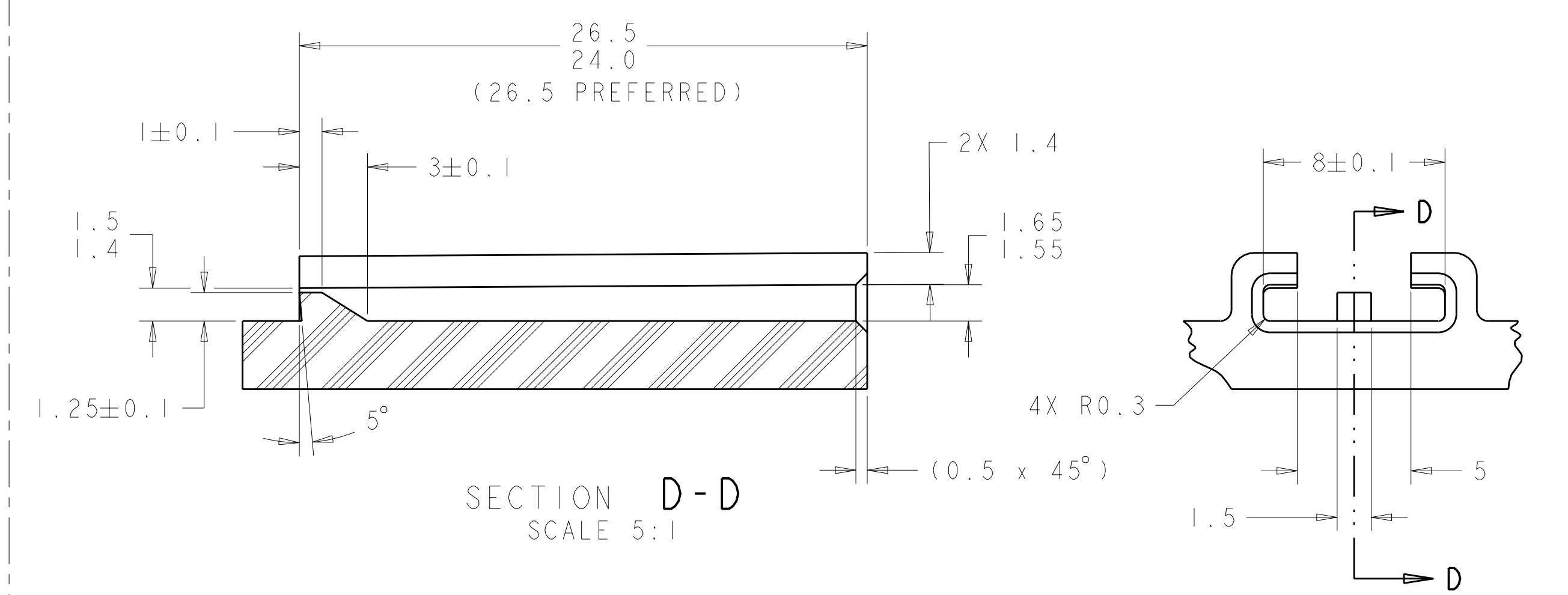


| LOC | DIST | REV | DATE | BY | CHK | APPV |
|-----|------|-----|-----------|-----|-----|------|
| HK | 00 | 0 | 12MAY2004 | AB | RMP | |
| | | B | 17AUG2006 | JM | RMP | |
| | | B1 | 10SEP2007 | JM | JM | |
| | | B2 | 15APR2009 | DLD | DCS | |

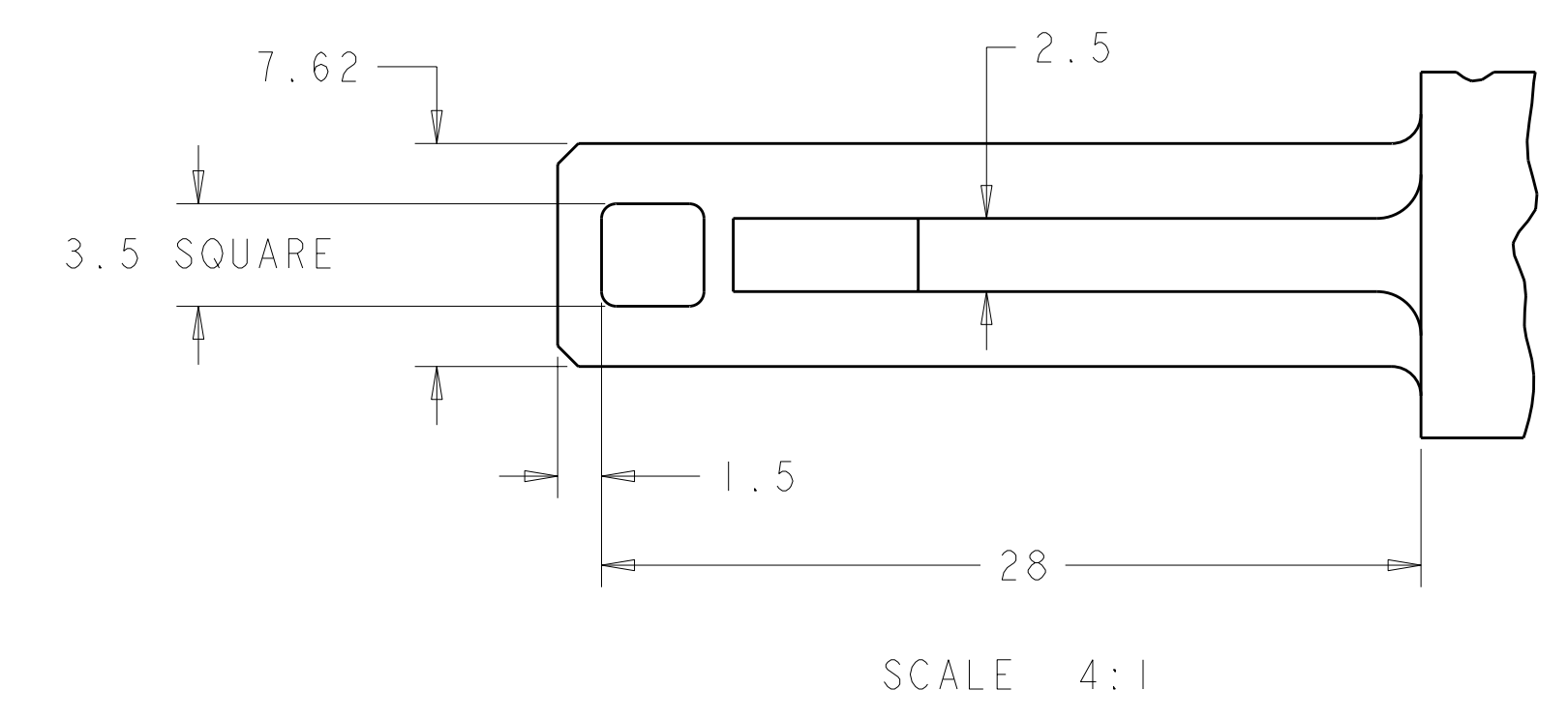


△ MATERIAL: NYLON 6/6, COLOR: BLACK.
 △ SUPPLIER I.D., MOLD AND CAVITY I.D.

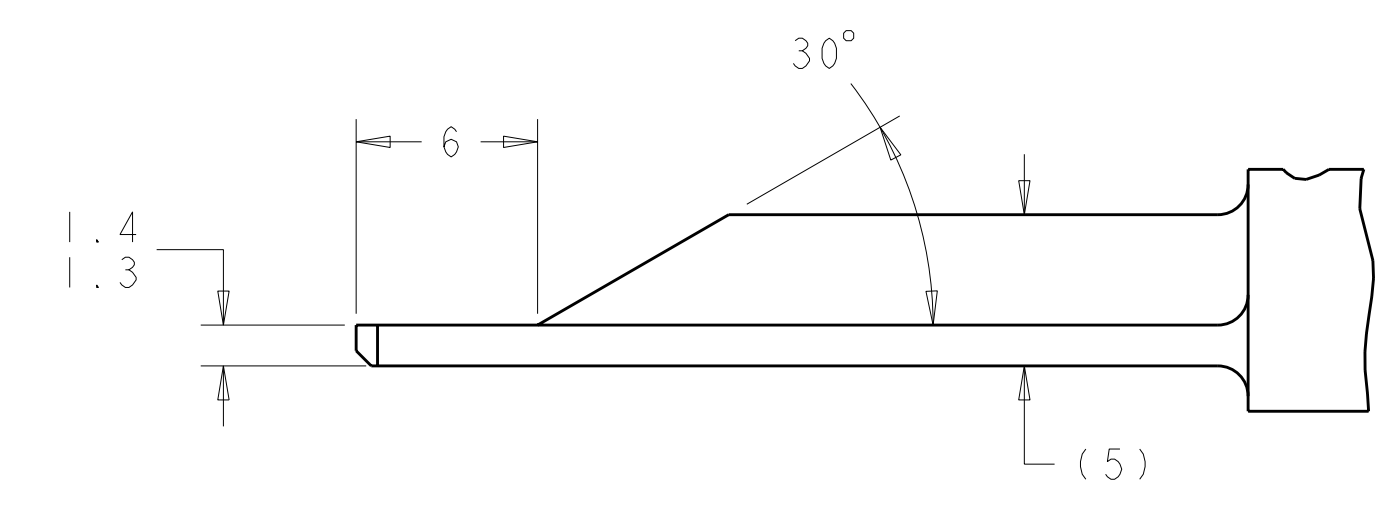


SECTION D-D
SCALE 5:1

CLIP SLOT- INSULATOR MOUNTING



SCALE 4:1



CLIP- INSULATOR MOUNTING

(DIMENSIONS ARE REFERENCE ONLY)

| | | | | | | | |
|-----------------------|--|---|--|---|--|---|--|
| DIMENSIONS: mm | | TOLERANCES UNLESS OTHERWISE SPECIFIED: 0 PLC ± 1 PLC ±0.2 2 PLC ±0.2 3 PLC ± 4 PLC ± ANGLES ±0.5° FINISH | | DWN: A. BASU 12MAY2004 CHK: A. BASU 12MAY2004 APPV: A. BASU 12MAY2004 | | Tyco Electronics Harrisburg, PA 17105-3608 | |
| MATERIAL: △ | | PRODUCT SPEC APPLICATION SPEC | | NAME: CLIP, INSULATOR-MOUNTING (DOUBLE X-MAS TREE) | | RESTRICTED TO | |
| CUSTOMER DRAWING | | WEIGHT: - | | SIZE: A 00779 C=1437839-1 | | SCALE: 4:1 SHEET 1 OF 1 REV: B2 | |