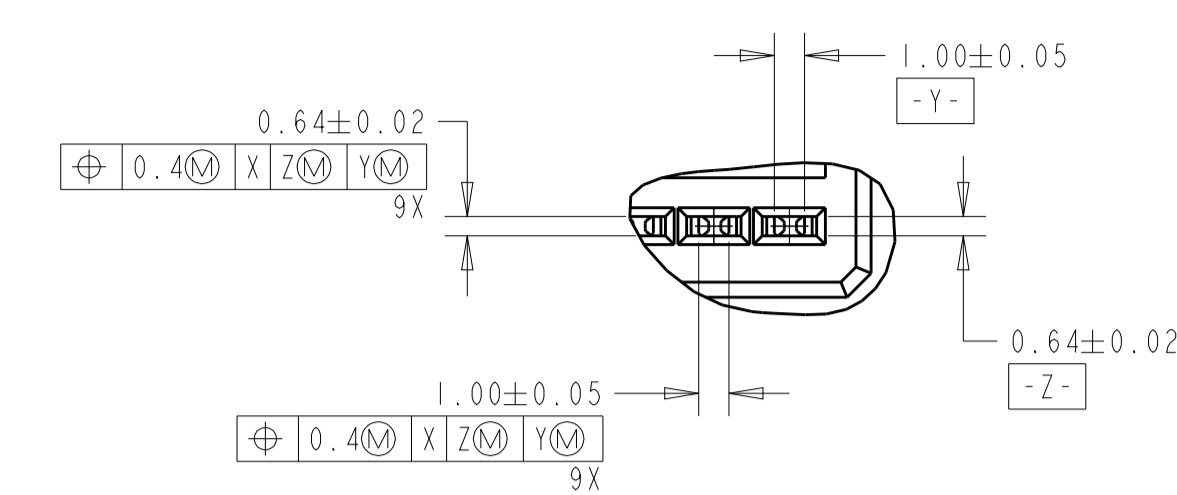
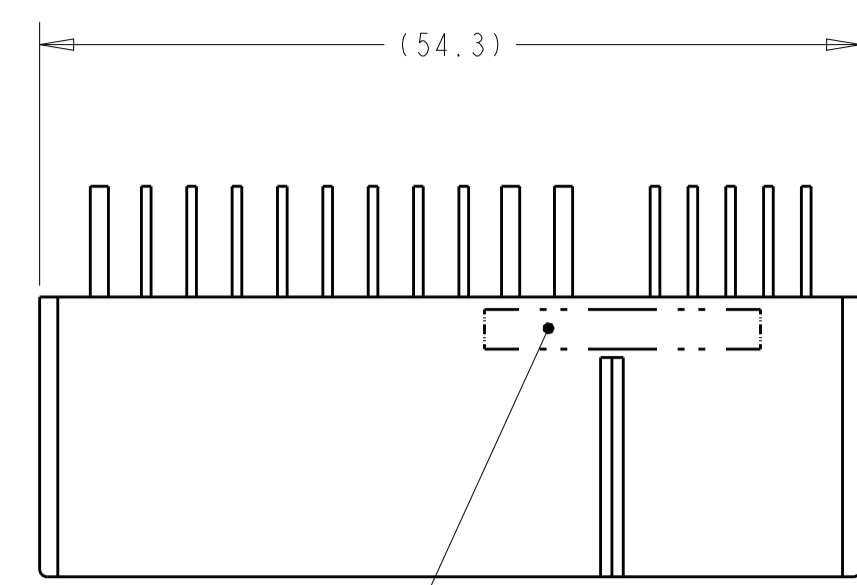
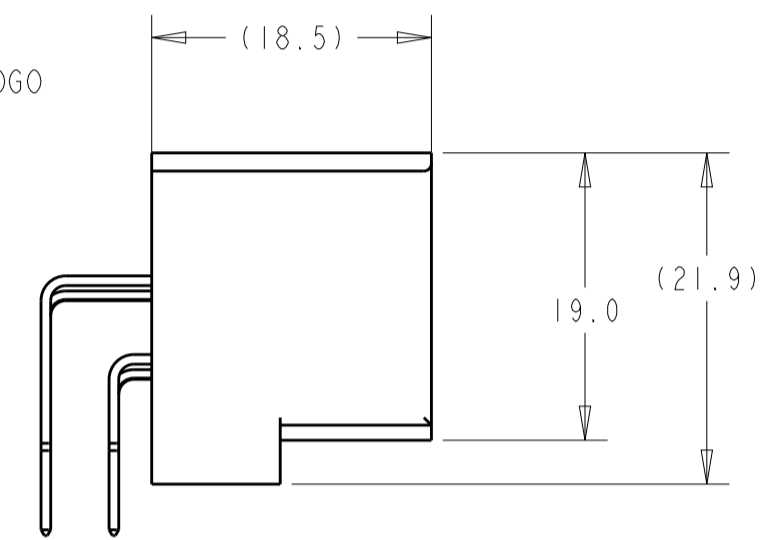
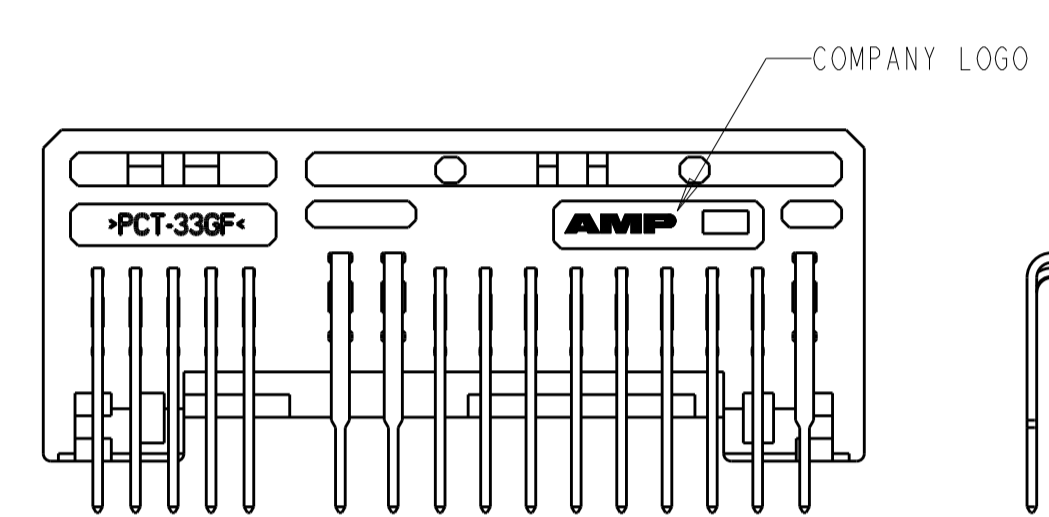
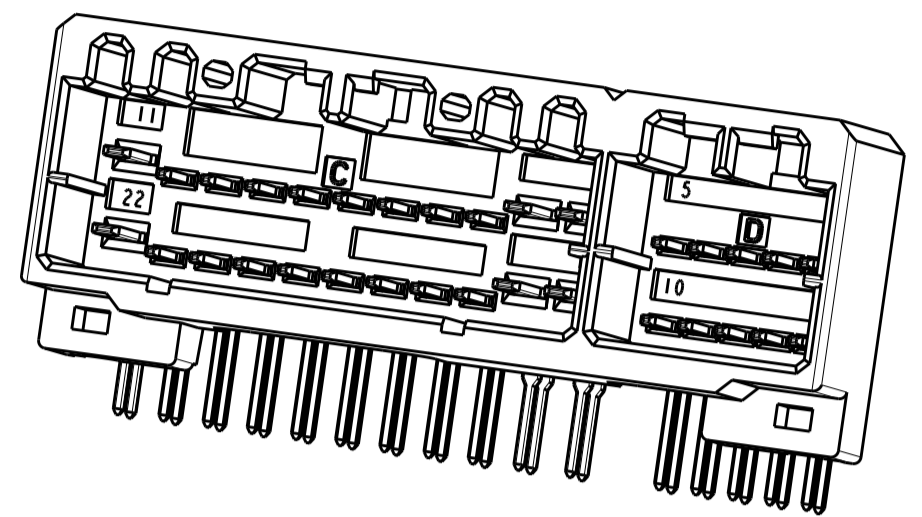
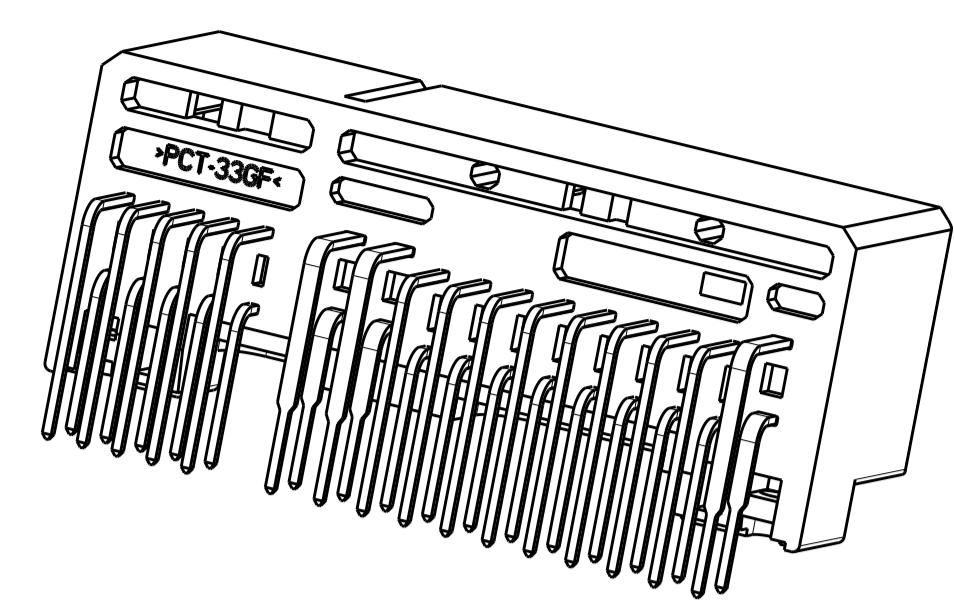
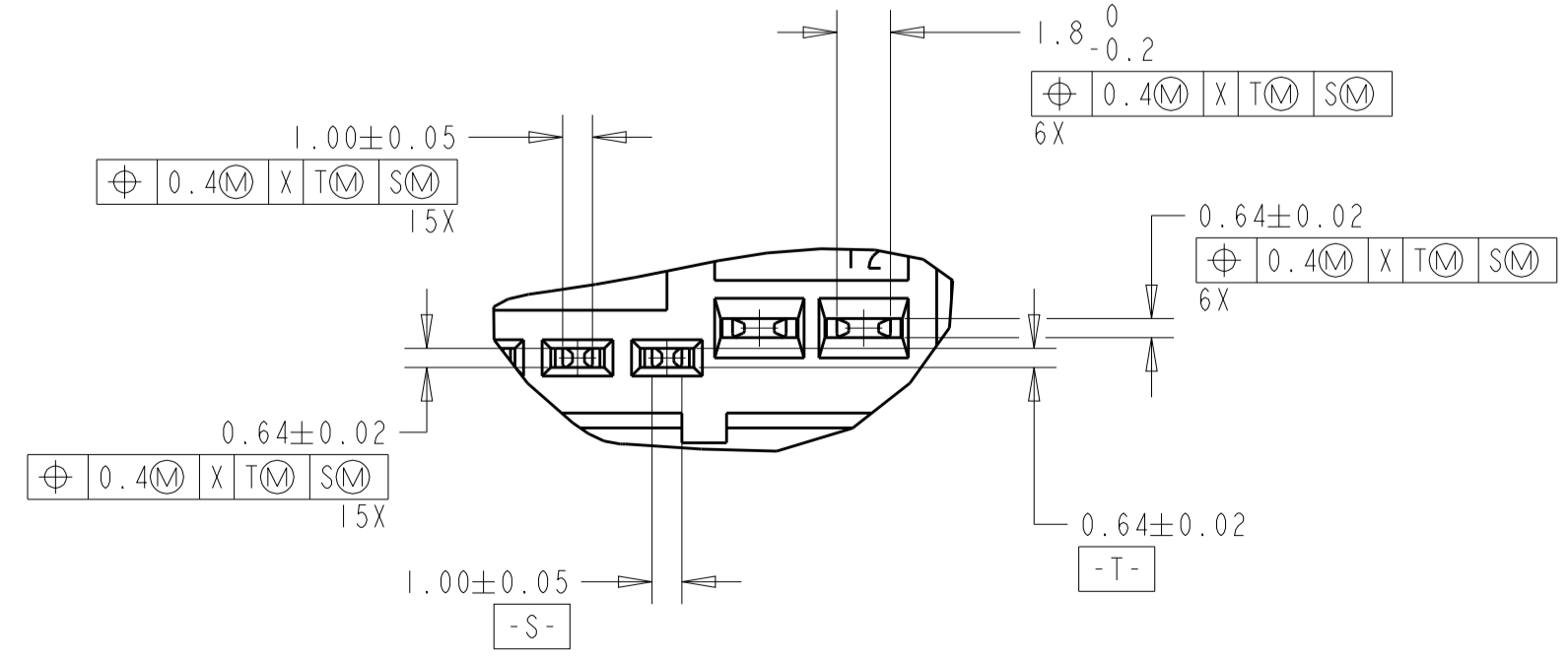
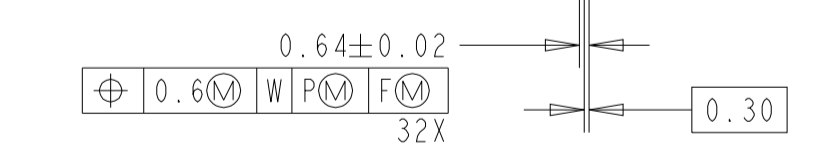
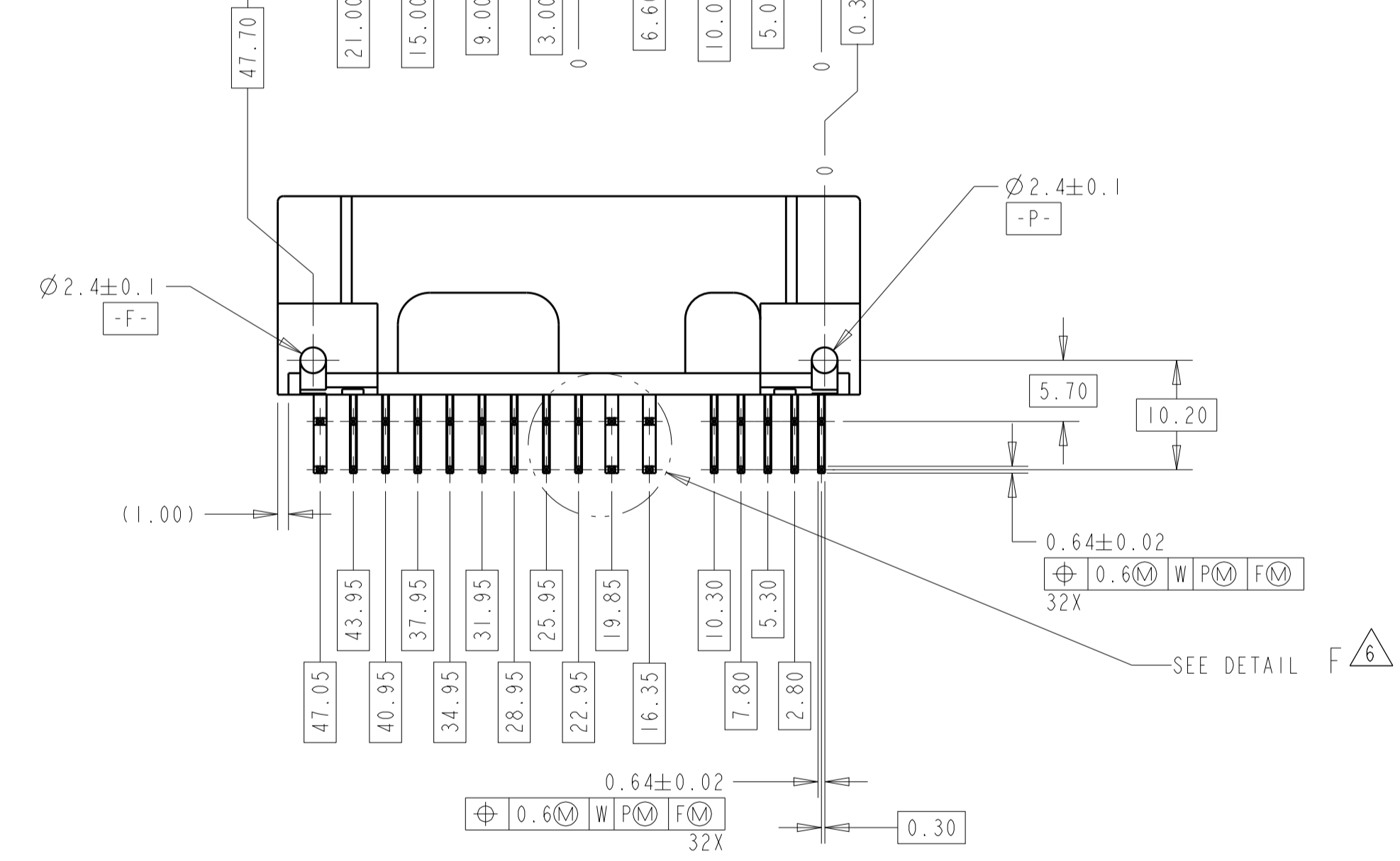
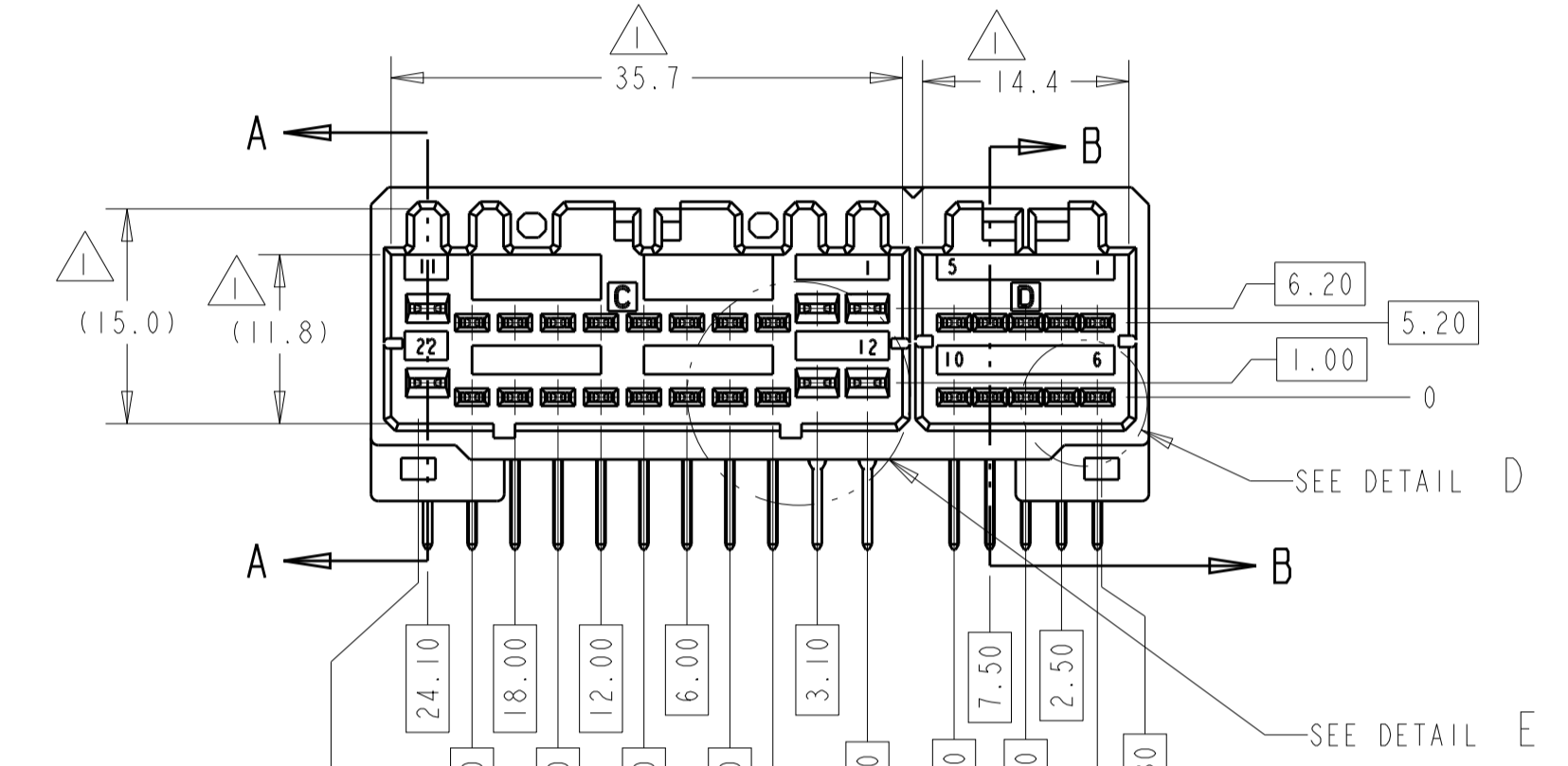


LOC	DIST	REVISIONS			
P	LTN	DESCRIPTION	DATE	DMN	APVD
A		RELEASED PER ECO-10-016160	05AUG2010	DD	MB
A1		REVISED PER ECO-13-010124	18JUN2013	DD	SA

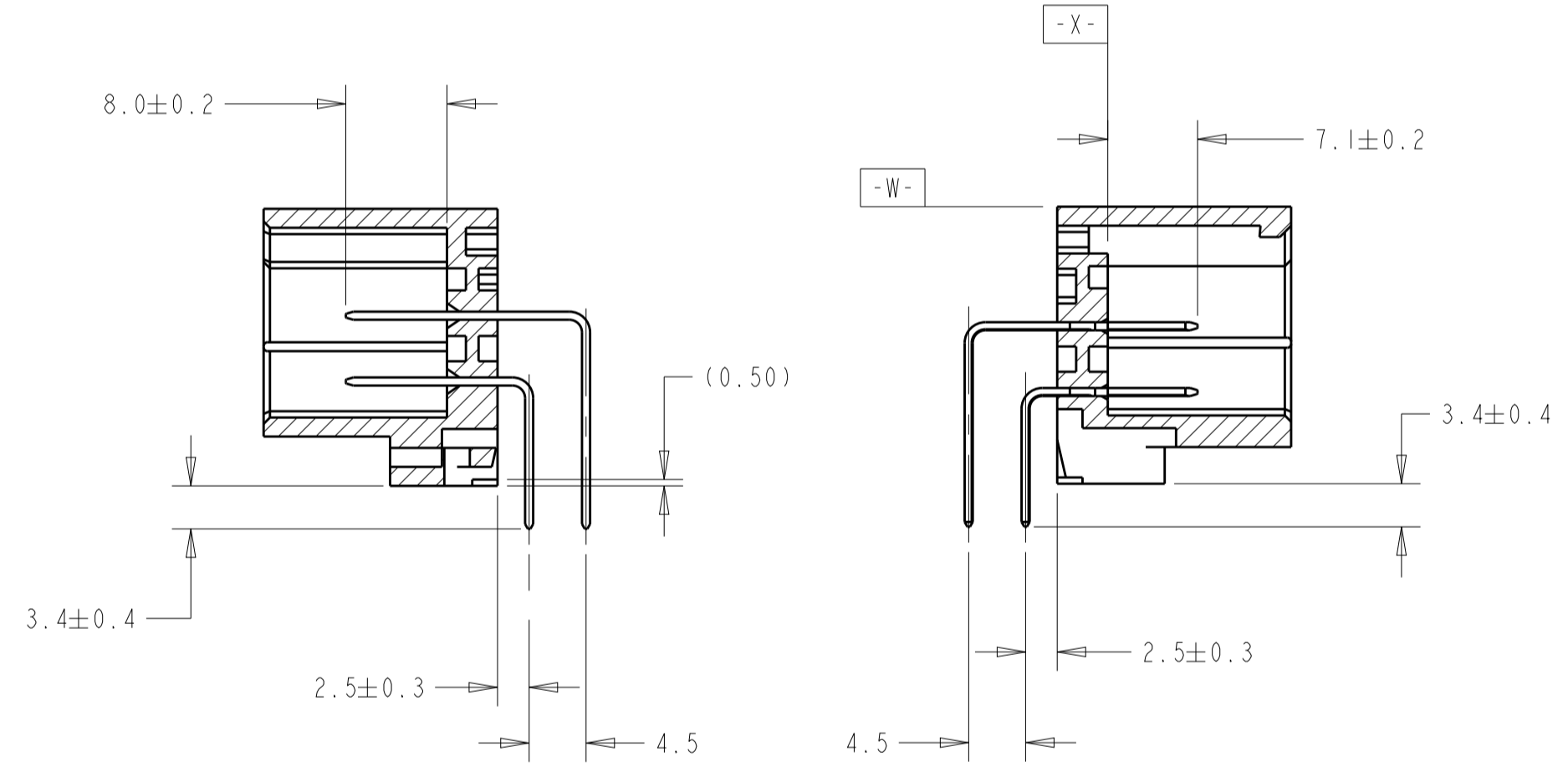


DETAIL D
SCALE 4:1

- 1. DIMENSION MUST BE HELD BETWEEN $-X-$ AND 2.0 FROM $-X-$
- 2. RECOMMENDED MOUNTING SCREW, 3mm DIA X 6mm LG, PAN HEAD, CLASS 2 TAPPING SCREW AS SPECIFIED IN JIS B1115 AND B1112.
- 3. DATUMS AND BASIC DIMENSIONS ESTABLISHED BY CUSTOMER.
- 4. MATING PLUGS: 22 POSN 917989-1 THRU -6
10 POSN 638207-6
- 5. DATE CODE
- 6. DETAIL VIEW SHOWN PER CUSTOMER REQUEST.

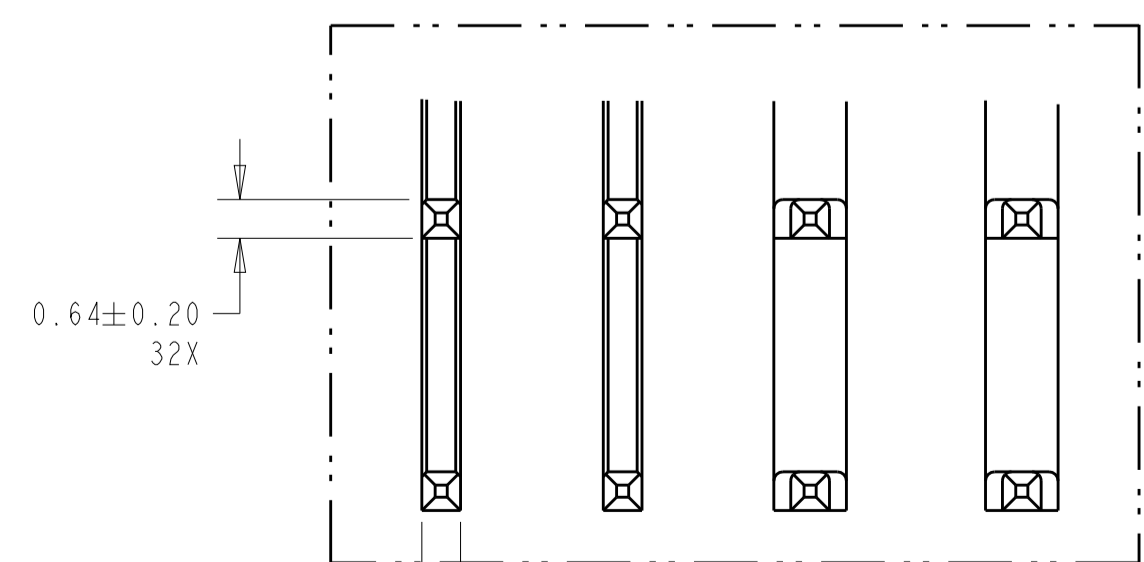


DETAIL E
SCALE 4:1

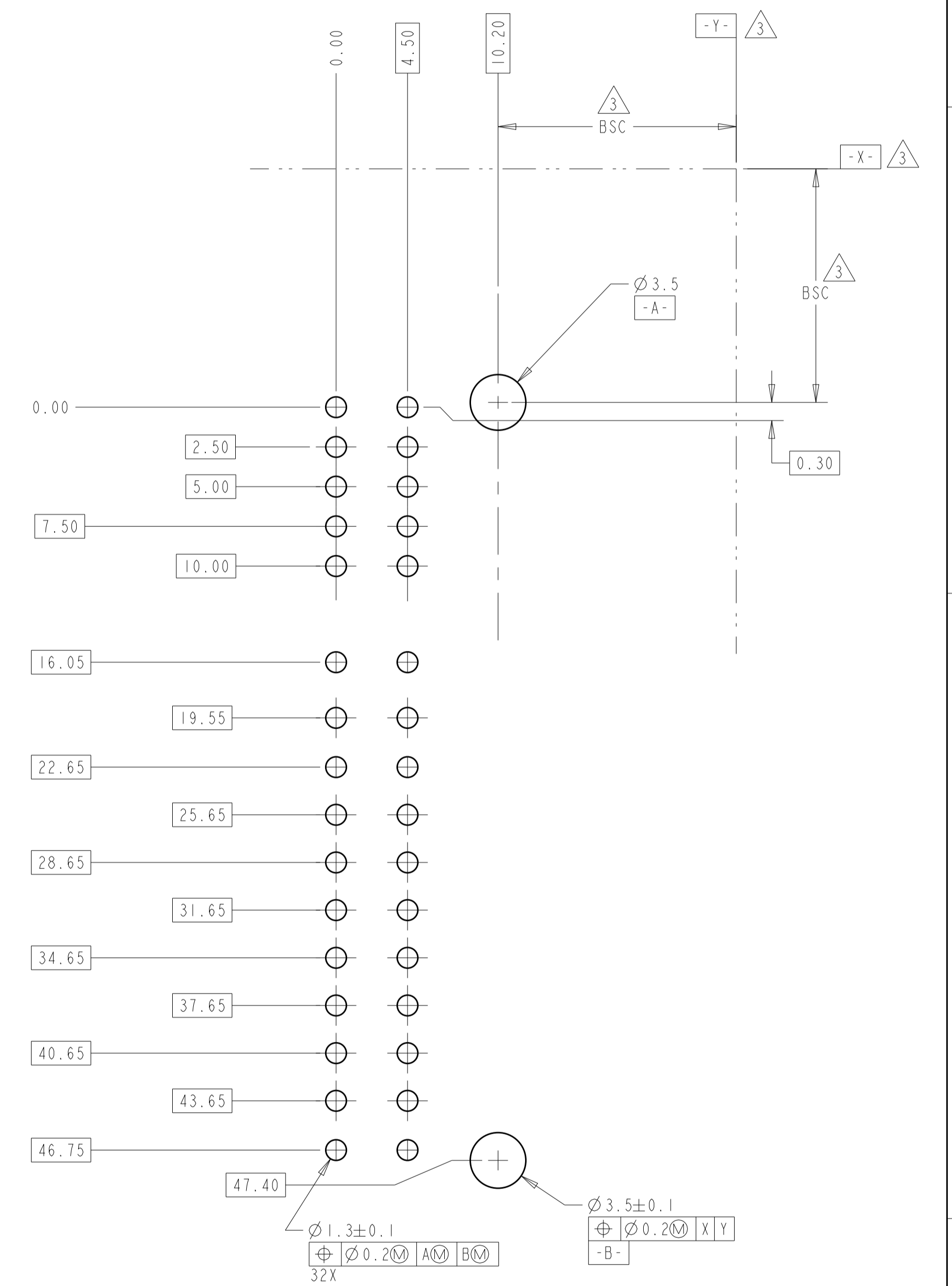


SECTION A-A
(.070 TABS)

SECTION B-B
(.040 TABS)



DETAIL F
SCALE 8:1



P.C. BOARD LAYOUT
SCALE 4:1

BRASS		TIN OVER NICKEL		PCT		BLACK		9-1438313-2	
MATERIAL		FINISH		MATERIAL		COLOR		PART NUMBER	
CONTACT				HOUSING					
STE TE Connectivity									
DIMENSIONS:		TOLERANCES UNLESS OTHERWISE SPECIFIED:		DWG: R. VESTAL 28FEB2005		CHK: R. COOPER 28FEB2005		APVD: R. COOPER 28FEB2005	
mm		0 PLC ±.3		1 PLC ±0.3		2 PLC ±0.15		3 PLC ±.15	
MATERIAL		FINISH		WEIGHT		SIZE		CAGE CODE	
SEE TABLE		SEE TABLE		-		A1		00779	
Customer Drawing		SCALE 2:1		SHEET 1 OF 1		REV A1		RESTRICTED TO	