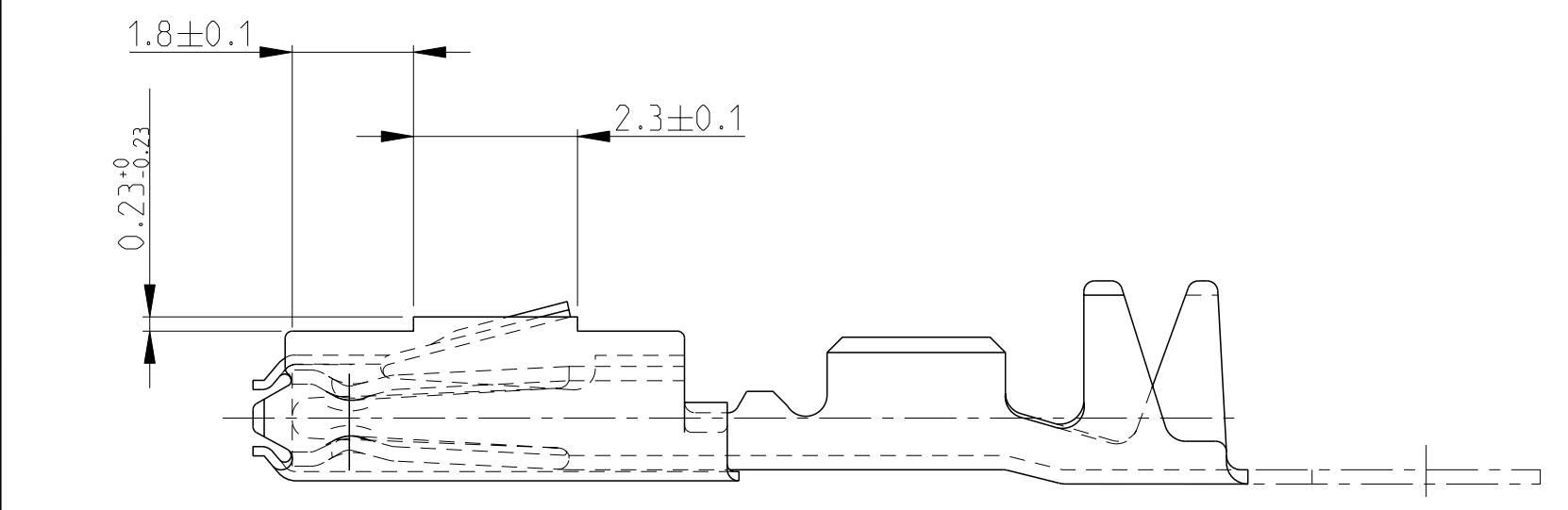
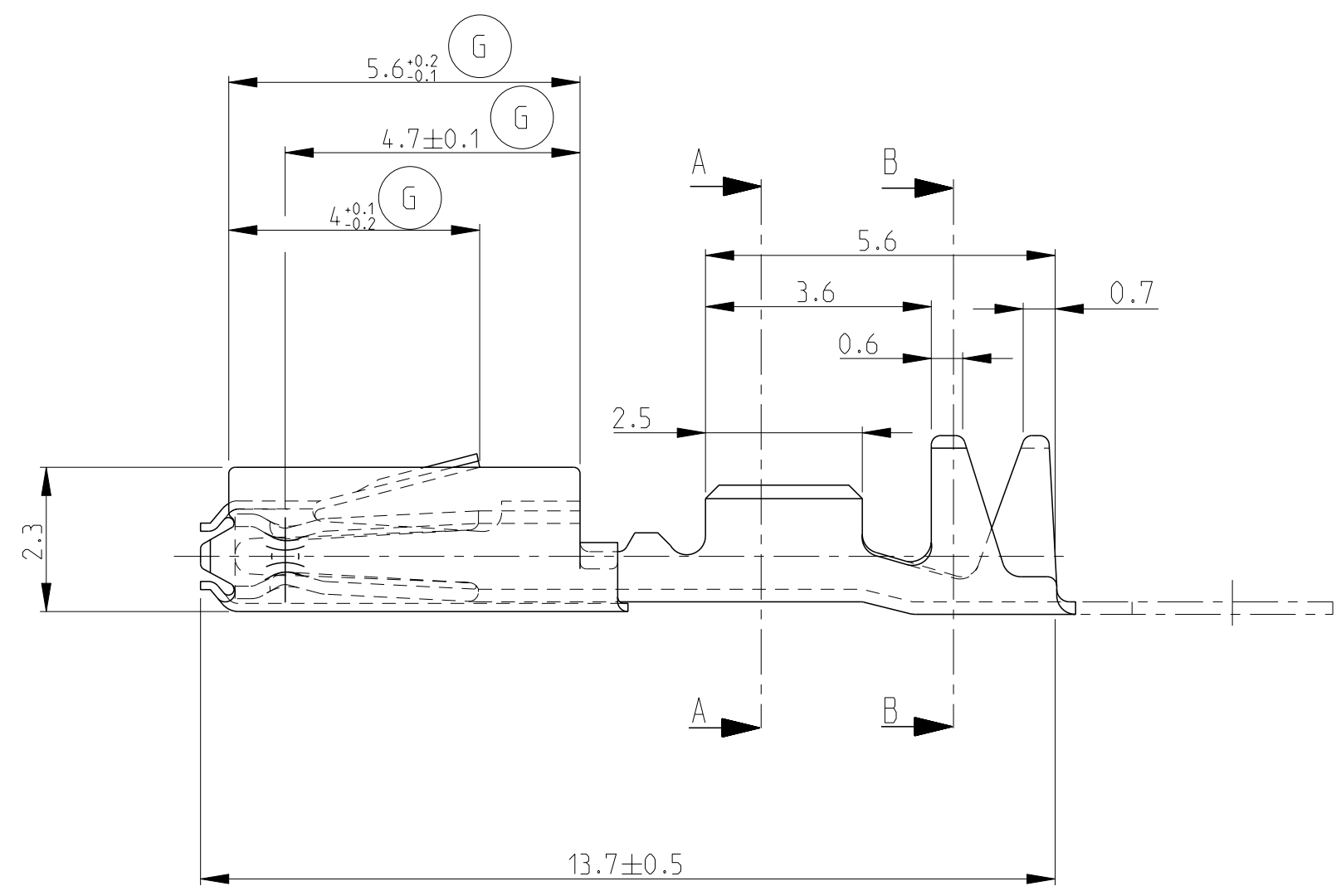
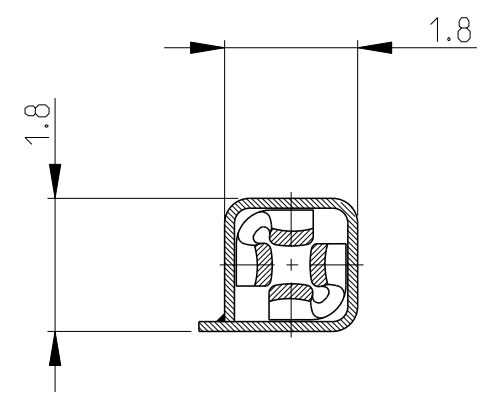


THIS DRAWING IS UNPUBLISHED. RELEASED FOR PUBLICATION 20  
 © COPYRIGHT 20 BY - ALL RIGHTS RESERVED.

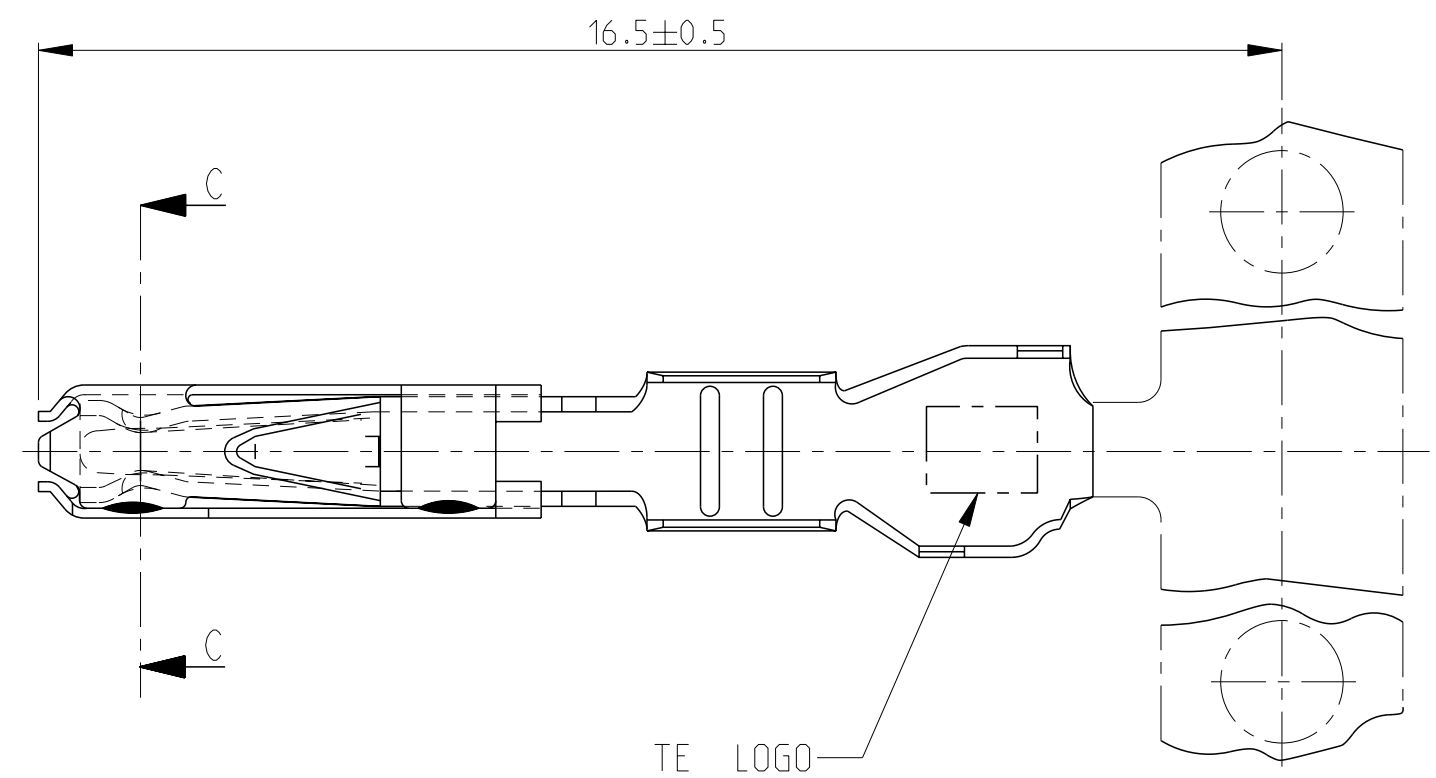
REVISIONS				
P	LTR	DESCRIPTION	DATE	APVD
E		DRAWING CLARIFICATION WITH ALTERNATE DESIGN	03AUG2017	DB JD
F		PN 144969-3 obsoleted	21OCT2021	AR FJ
G		Tolerances correction	25AUG2023	AR FJ



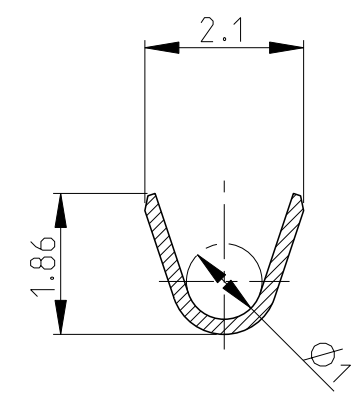
ALTERNATE DESIGN POSSIBLE FOR THE SPRING



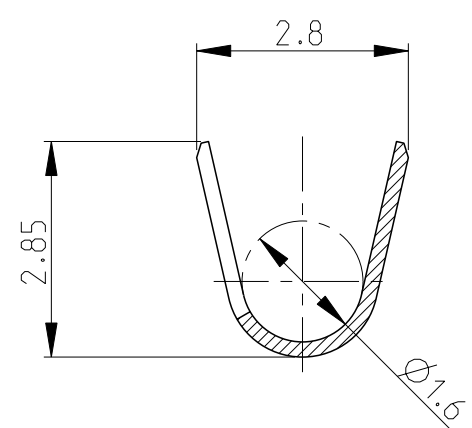
SECTION C-C



TE LOGO



SECTION A-A



SECTION B-B

PART NUMBER	4 CONTACT POINTS	SPRING	CRIMP AREA
144969-4	Sn 0.8 to 2 µm	Au 0.4 to 0.8 µm	Sn 0.8 to 3.3 µm
144969-3	Au 0.4 to 0.8 µm	Sn 0.8 to 3.3 µm	Sn 0.8 to 3.3 µm
144969-2	Au 0.4 to 0.8 µm	Au 0.4 to 0.8 µm	Sn 0.8 to 3.3 µm
144969-1	Sn 0.8 to 2 µm PRETINNED	Sn 0.8 to 2 µm PRETINNED	Sn 0.8 to 2 µm PRETINNED

THIS DRAWING IS A CONTROLLED DOCUMENT.		DWN A. ROSI 04 JUN 2012	TE Connectivity NAME CLIP MQS A SERTIR (0.2-0.6 SQ mm) MQS RECEPTACLE WITH BARRIER CRIMP VERSION
DIMENSIONS: mm		CHK X. ROUILLARD 04 JUN 2012	
TOLERANCES UNLESS OTHERWISE SPECIFIED: ±0.2		APVD J. DAHER 04 JUN 2012	
MATERIAL VOIR TABLEAU		PRODUCT SPEC 108-18030	
ANGLES FINISH ±2°		APPLICATION SPEC 114-15077	SIZE A2
MATERIAL VOIR TABLEAU		WEIGHT 0.2g	CAGE CODE 00779
CUSTOMER DRAWING		SCALE 10:1	DRAWING NO G-144969
		SHEET 1 OF 1	RESTRICTED TO -
		REV G	

printed on 28 Aug 2023 10:47 (Paris, Madrid) from ER002210