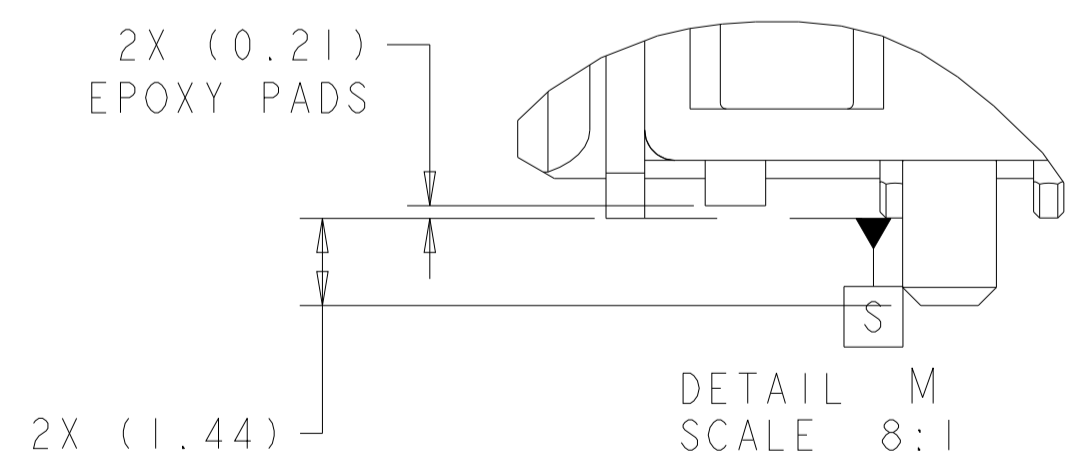
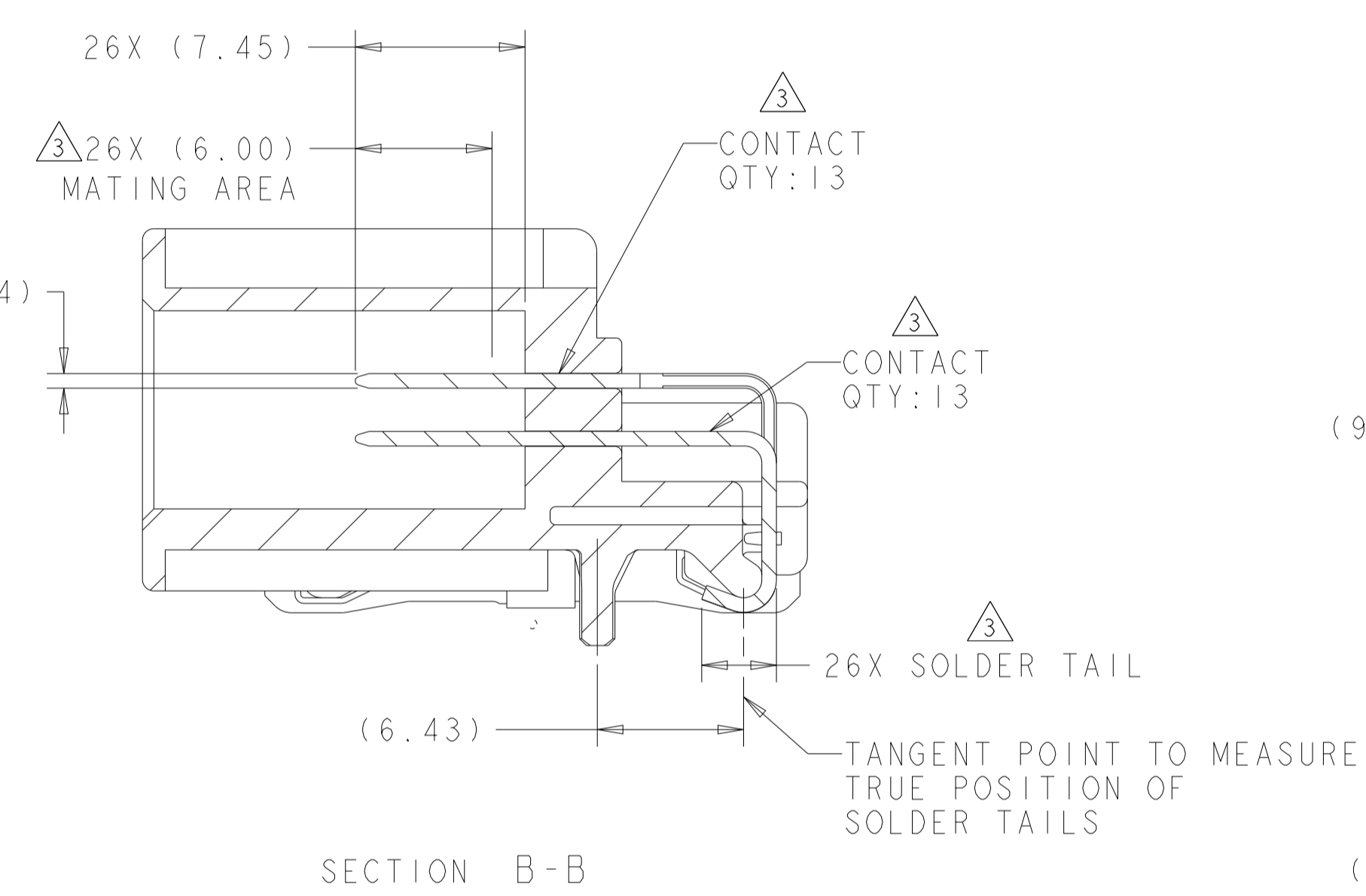
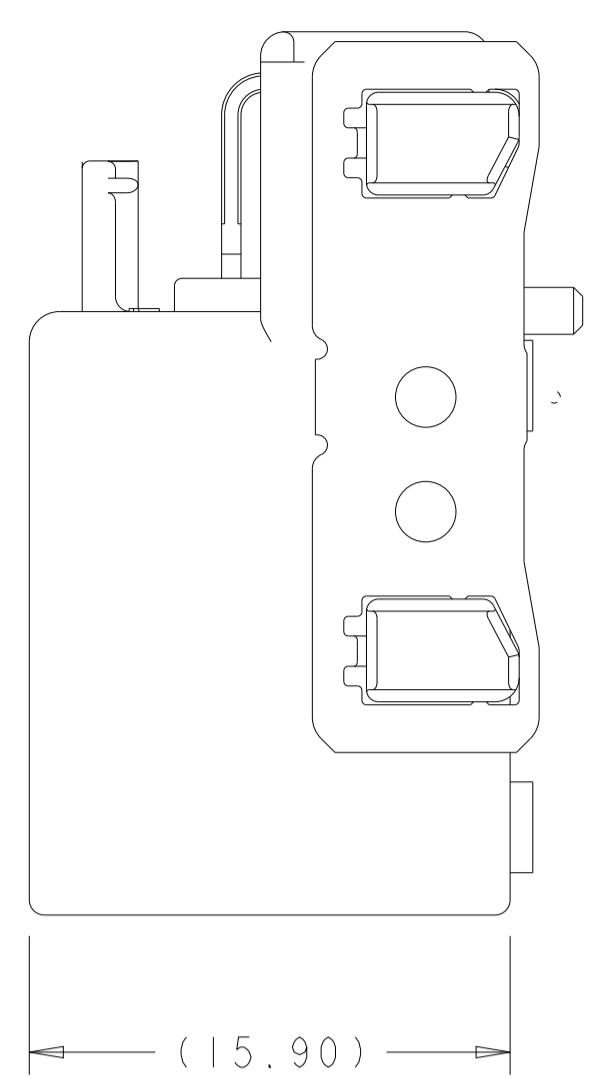
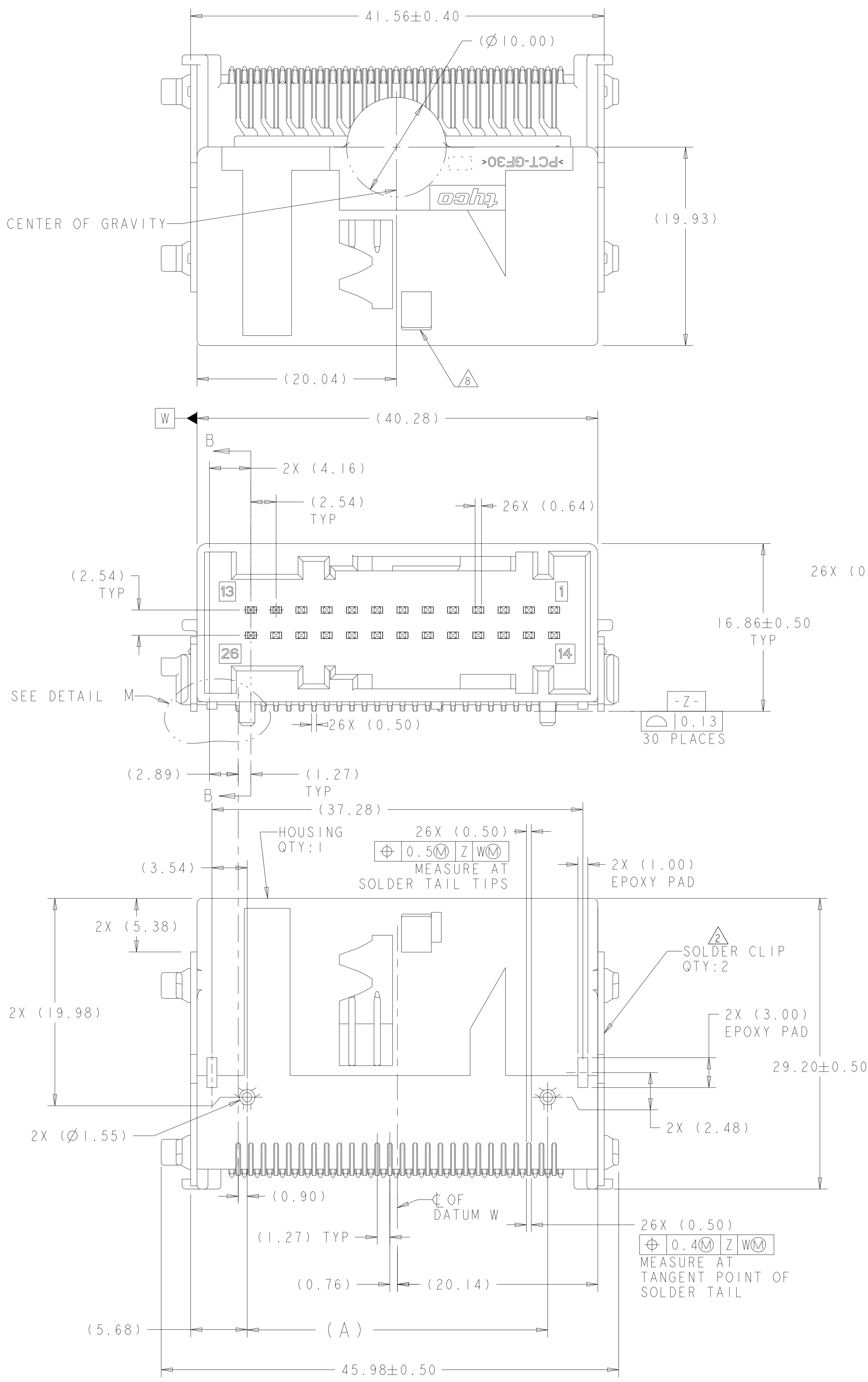
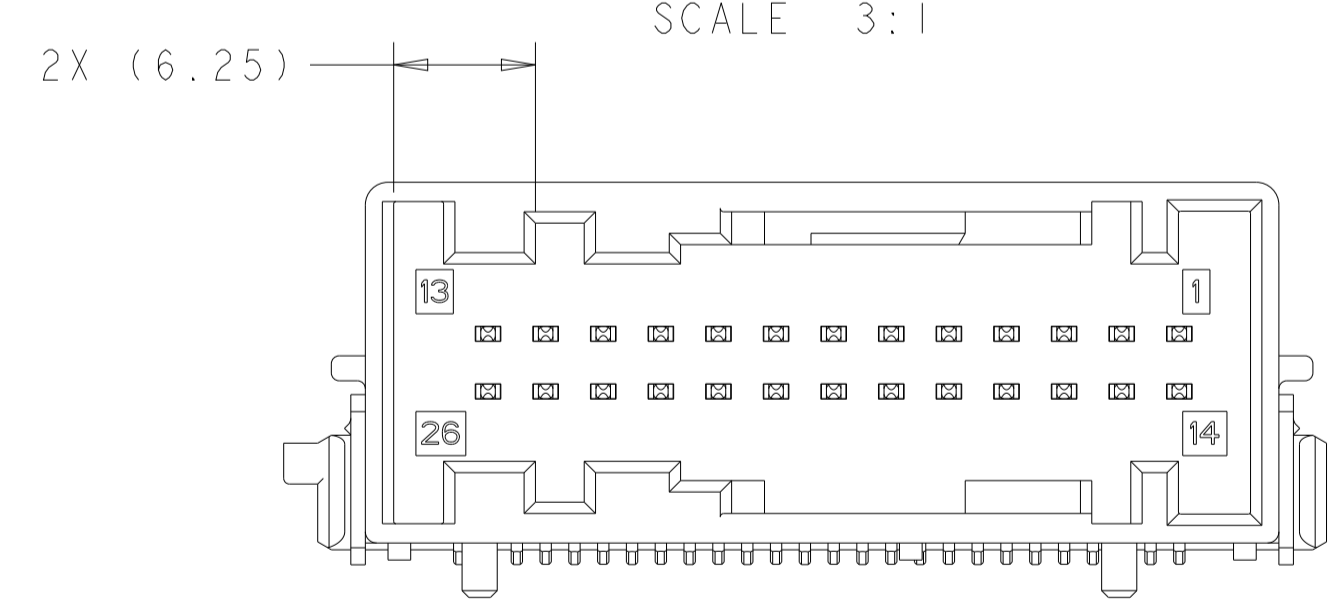
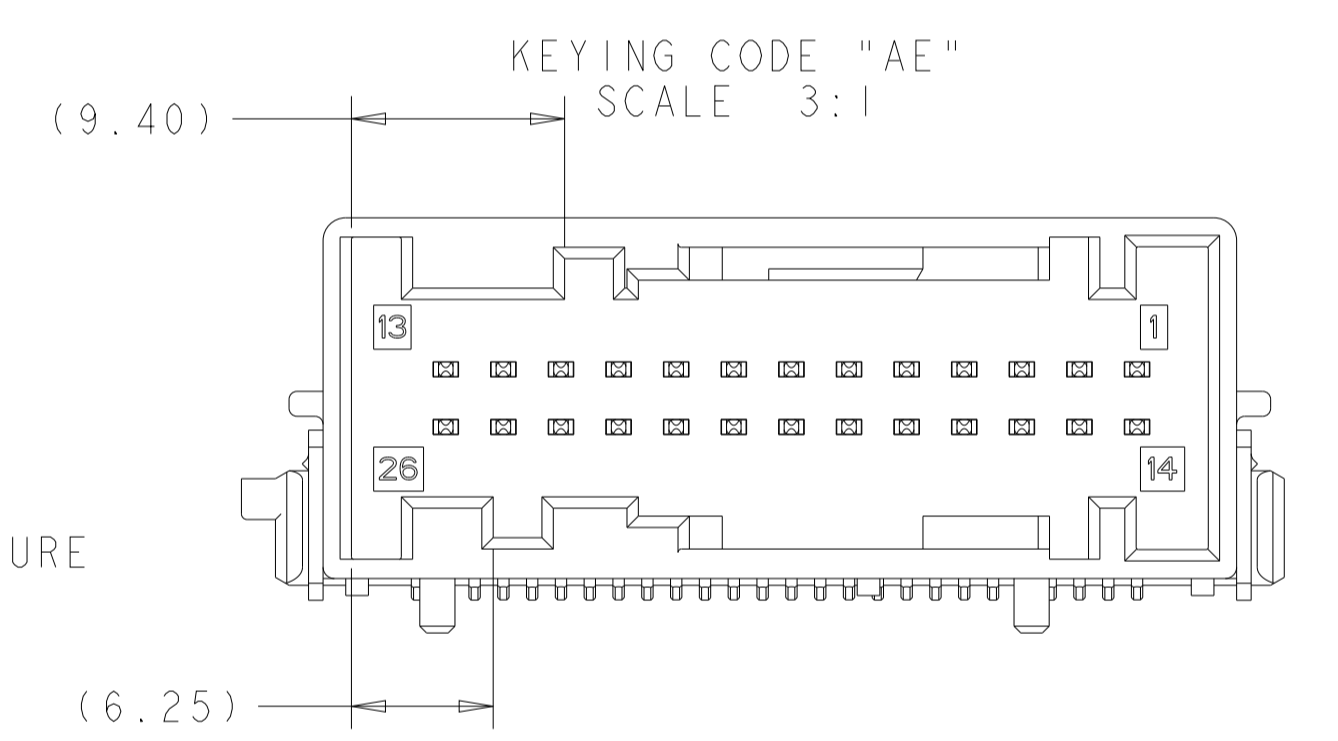
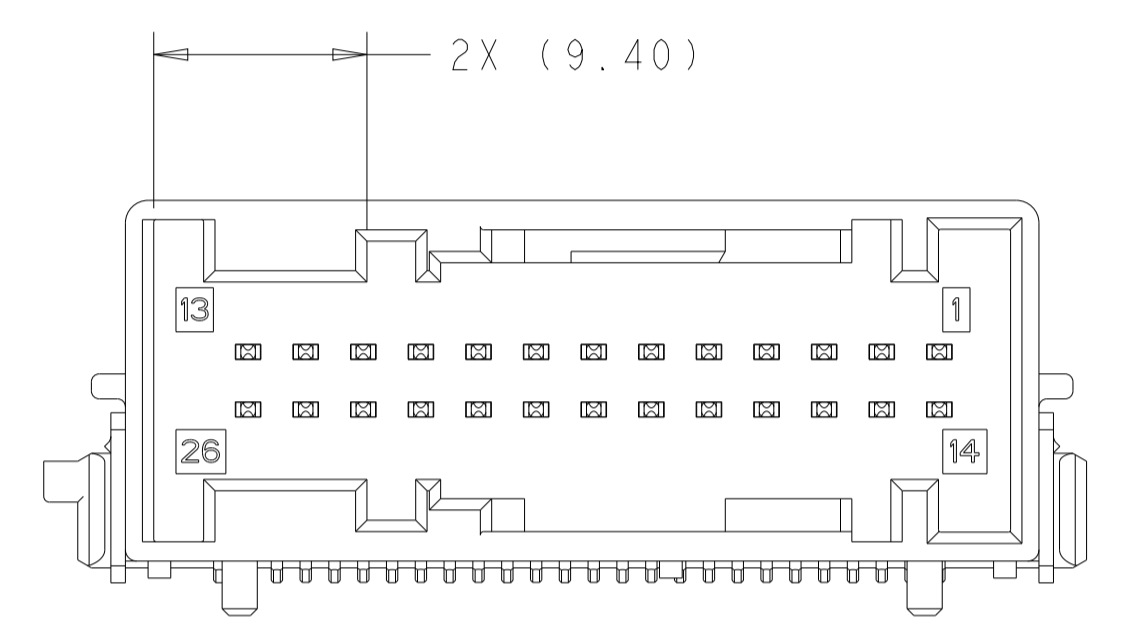


REVISIONS				
P	LTM	DESCRIPTION	DATE	APPROV
A2		REVISED PER ECO-10-014142	07JUL2010	DLD CJS
A3		REV PER ECO-20-013940	15OCT2020	RGV CJS
A4		REV PER ECO-21-005624	19MAY2021	RGV CS
A5		REV PER ECN-23-211153	10MAY2023	JMS CJS



- 1 HOUSING: PCT, COLOR - SEE TABLE
CONTACTS: BRASS
SOLDER CLIP: BRASS
- 2 SOLDER CLIP: 3.8µm MIN TIN OVER 1.27µm MIN NICKEL
- 3 CONTACT: 0.8µm MIN TIN IN MATING AREA AND 2.5µm MIN TIN IS SOLDER TAIL ALL OVER 1.00µm NICKEL
- 4 DATUMS AND BASIC DIMENSIONS ESTABLISHED BY THE CUSTOMER
- 5 ALLOW FOR OVER PRINTING ON PC BOARD
- 6 REMOVED
- 7 REMOVED
- 8 OPTIONAL FEATURE ON PART NUMBERS NOTED BELOW



30.20	30.20	KEYING CODE "AE"	BLACK	1-1456549-1
28.20	28.20	KEYING CODE "BF"	BLUE	1456549-3
26.20	26.20	KEYING CODE "BE"	GRAY	1456549-2
30.20	30.20	KEYING CODE "AE"	BLACK	1456549-1
B	A	KEYING CODE	COLOR	PART NUMBER

THIS DRAWING IS A CONTROLLED DOCUMENT. DWG H MOLL 16FEB2006
 CHK D. FRY 2MAY2006
 APVD J. MYER 2MAY2006

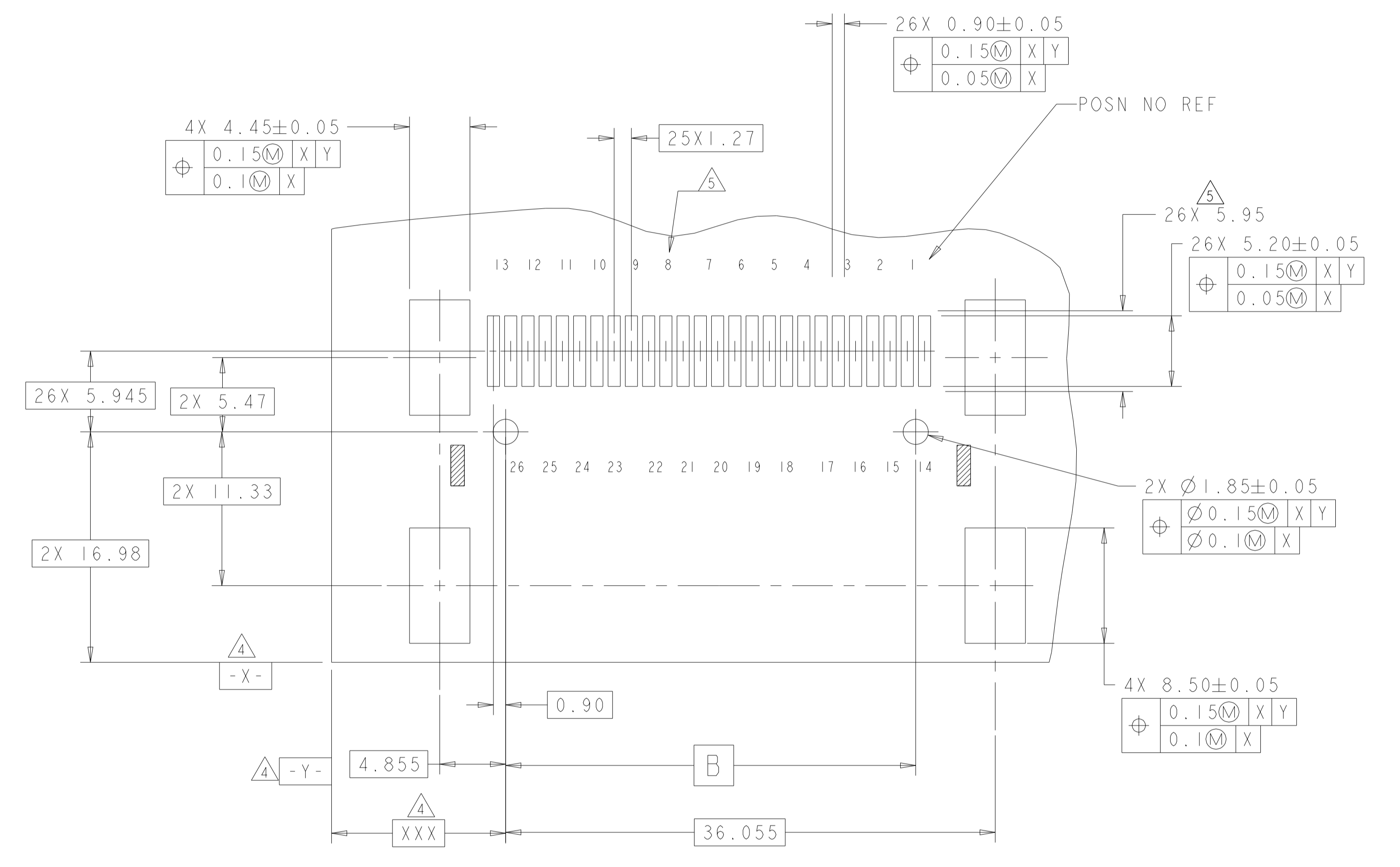
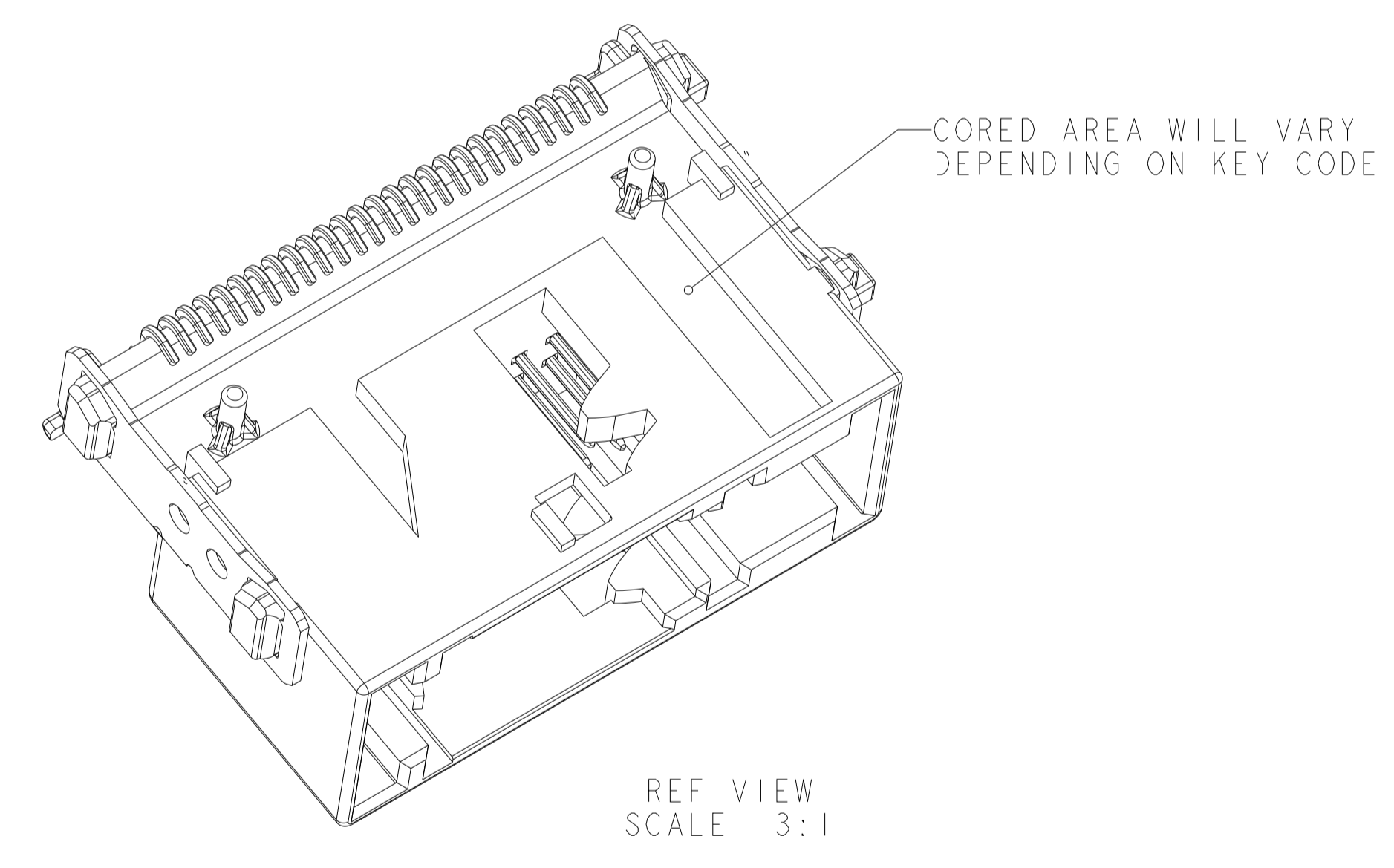
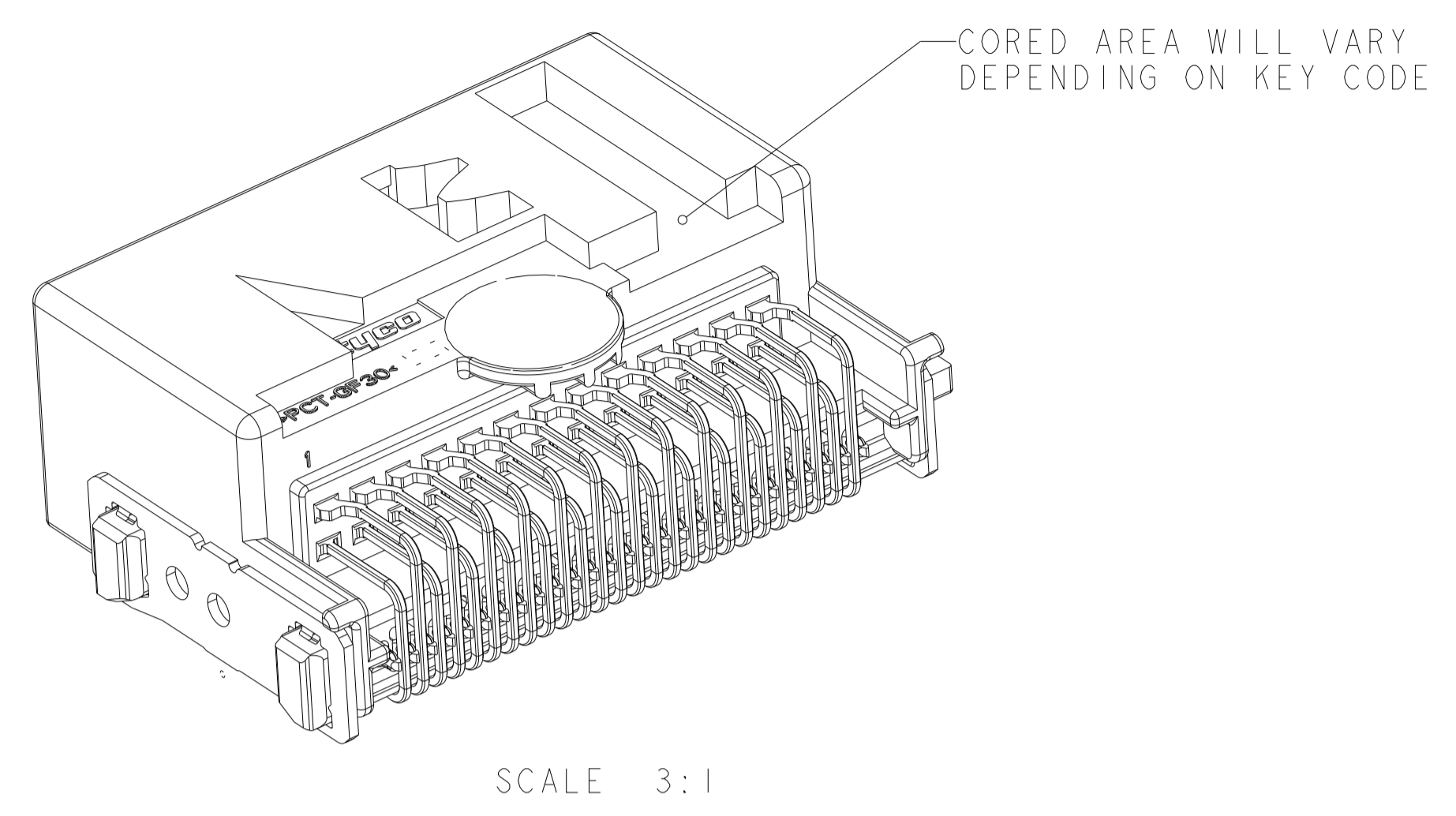
TE Connectivity
TE
 Header Assembly, 26 Way, Right Angle, with Solder Clips, Right Cable Exit, Surface Mount, LAC

SIZE: A | 00779 | C=1456549 | SHEET 1 OF 2 | REV A5

MATERIAL: SEE TABLE
 DIMENSIONS: mm
 TOLERANCES UNLESS OTHERWISE SPECIFIED:
 0 PLC ±
 1 PLC ±
 2 PLC ±
 3 PLC ±
 4 PLC ±
 ANGLES ±
 FINISH ±

WEIGHT: -
 CUSTOMER DRAWING
 SCALE: 4:1

REVISIONS				
P	LTN	DESCRIPTION	DATE	APVD
-	SEE SHEET 1			



RECOMMENDED PC BOARD LAYOUT
CONNECTOR SIDE OF BOARD
SCALE 4:1

THIS DRAWING IS A CONTROLLED DOCUMENT.		DWN H. MOLL 16FEB2006 CHK D. FRY 2MAY2006 APVD J. MYER 2MAY2006	
DIMENSIONS: mm 	TOLERANCES UNLESS OTHERWISE SPECIFIED: 0 PLC ± 1 PLC ± 2 PLC ± 3 PLC ± 4 PLC ± ANGLES ± FINISH ±	NAME PRODUCT SPEC APPLICATION SPEC SIZE CAGE CODE DRAWING NO WEIGHT CUSTOMER DRAWING	
MATERIAL		SEE TABLE	NAME PRODUCT SPEC APPLICATION SPEC SIZE CAGE CODE DRAWING NO WEIGHT CUSTOMER DRAWING

NAME: HEADER ASSEMBLY, 26 WAY, RIGHT ANGLE, WITH SOLDER CLIPS, RIGHT CABLE EXIT, SURFACE MOUNT, LAC
 SIZE: A | 00779 | C=1456549
 SCALE: 4:1 SHEET 2 OF 2 REV A5