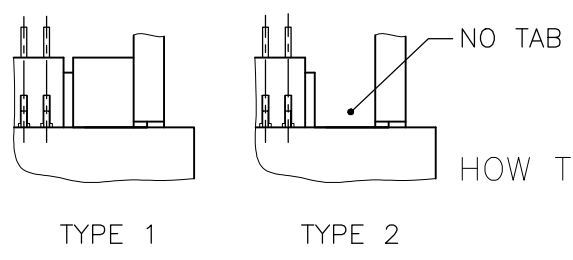
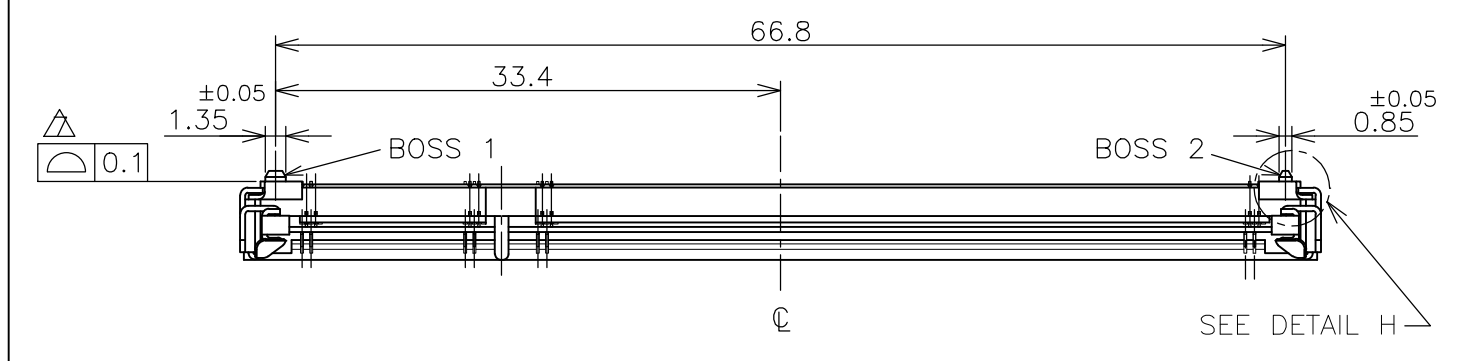
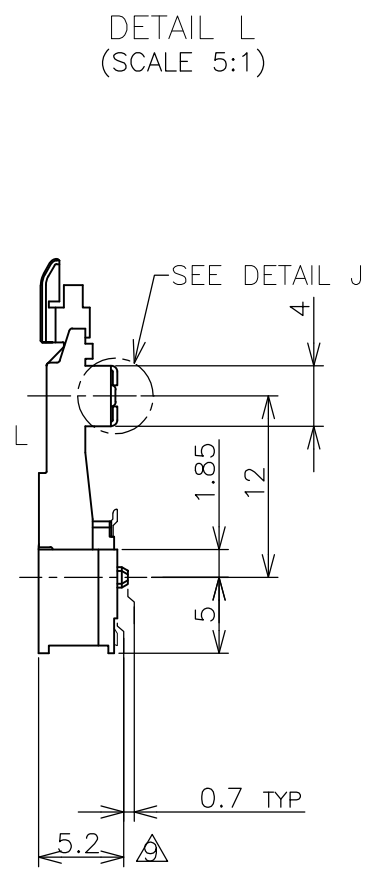
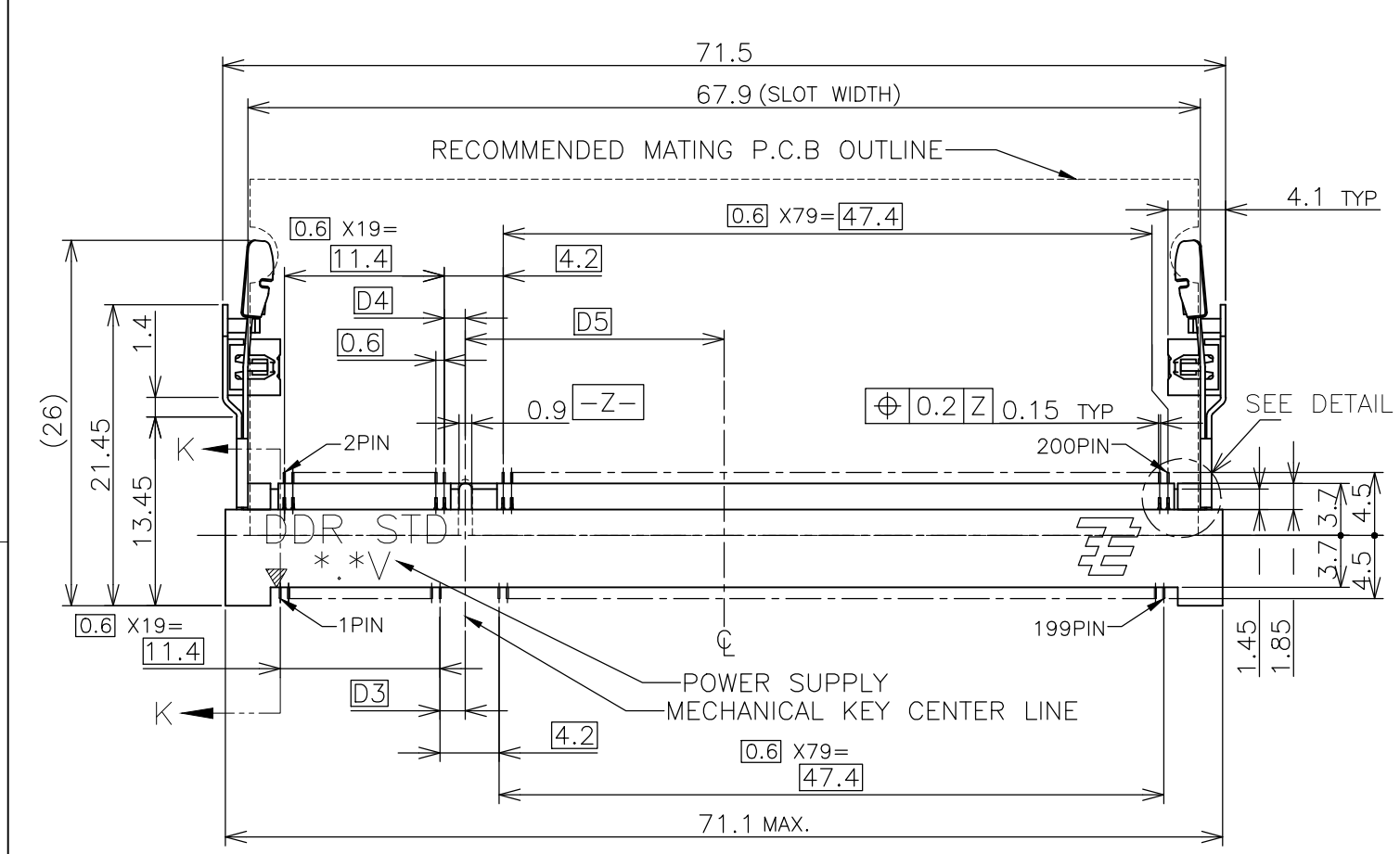
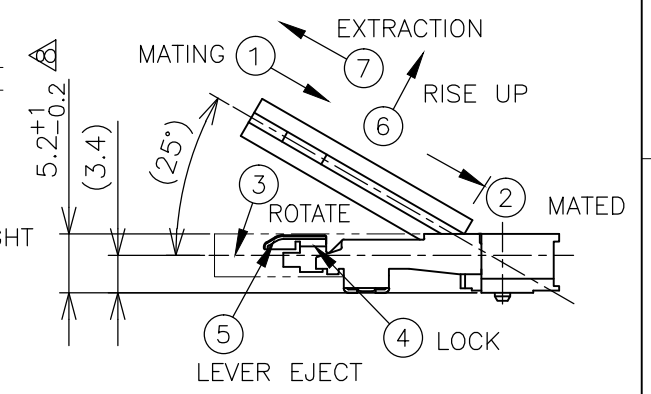
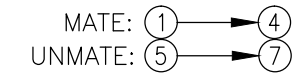


THIS DRAWING IS UNPUBLISHED. RELEASED FOR PUBLICATION NOV. 2001.  
 © COPYRIGHT 2001 By - ALL RIGHTS RESERVED.

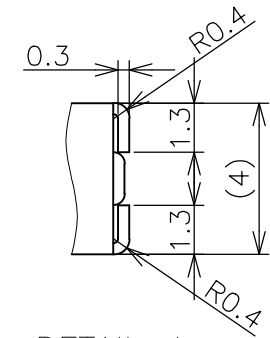
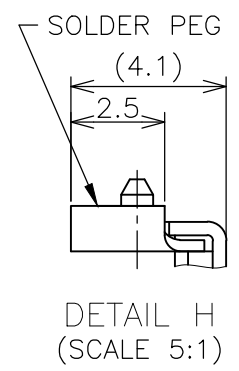
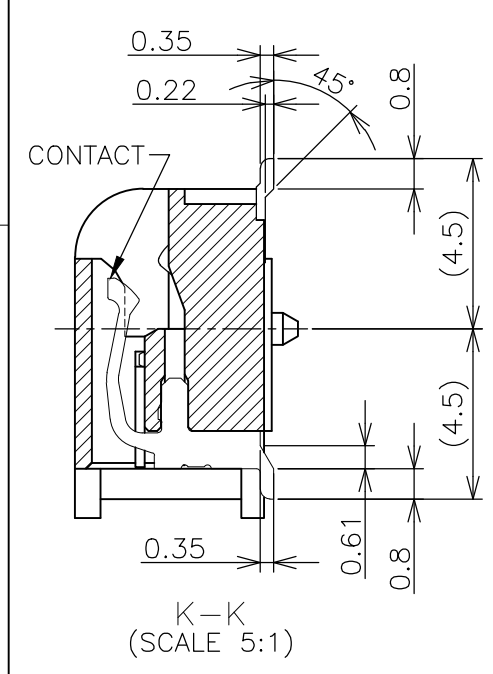
| LOC | DIST | REVISIONS |     |                           |         |     |      |
|-----|------|-----------|-----|---------------------------|---------|-----|------|
| J   |      | P         | LTR | DESCRIPTION               | DATE    | DWN | APVD |
|     |      |           | J3  | REVISED PER ECR-16-002212 | 15FEB16 | S.Z | S.L  |



HOW TO MATE AND UNMATE



- (APPLIED TO SHEET 1-2)
- MATERIAL ; HOUSING: HIGH TEMPERATURE THERMO PLASTIC UL94V-0  
CONTACT: COPPER ARROY  
LOCK LEVER: STAINLESS STEEL  
SOLDER PEG: COPPER ARROY
  - FINISH ; CONTACT AREA: GOLD FLASH ON 0.0013MIN ALL OVER NICKEL.  
SOLDERING AREA: GOLD FLASH PLT.  
SOLDER PEG: TIN PLATING.
  - MECHANICAL KEY POSITION OF CONNECTOR SEE TABLE.
  - TOLERANCES NON-CUMULATIVE.
  - NOT TO SCALE.
  - INSIDE MUST BE RESIST COAT EXCEPT SOLDER PATTERN.
  - COPLANARITY : 0.1 MAX.
  - THE FLOATING VALUE BY SOLDERING IS NOT INCLUDED.
  - NOT MATING CONDITION.
  - FINISH ; CONTACT AREA: 0.00076 GOLD ON 0.0013MIN ALL OVER NICKEL.  
SOLDERING AREA: 0.00076 GOLD PLT.  
SOLDER PEG: TIN PLATING.
- 11 IF THE MODULE DOESN'T INSERT AND LOCK IN THE LATCH SMOOTHLY, OPEN WIDE BOTH LATCHES BY MANUAL. AND THE MODULE MUST BE INSERTED AND LOCKED IN THE LATCH.



GENERAL TOLERANCE  
 10 ≥ : ±0.2  
 30 ≥ > 10 : ±0.25  
 100 ≥ > 30 : ±0.3  
 ANGLES : ±3°

|          |        |                |                                |                     |       |     |     |     |             |
|----------|--------|----------------|--------------------------------|---------------------|-------|-----|-----|-----|-------------|
| TYPE 1   | △      | AVAILABLE      | —H—                            | 2.5V (DDR1)         | 18.45 | 1.5 | 1.8 | 200 | 1473005-5   |
| TYPE 2   | △      | AVAILABLE      | BOSSLESS                       | 1.8V (DDR2)         | 17.55 | 2.4 | 2.7 | 200 | 1-1473005-4 |
| TYPE 2   | △      | AVAILABLE      | —H—                            | 1.8V (DDR2)         | 17.55 | 2.4 | 2.7 | 200 | 1473005-4   |
| TYPE 1   | △      | AVAILABLE      | HOUSING COLOR:GRAY<br>BOSSLESS | 2.5V (DDR1)         | 18.45 | 1.5 | 1.8 | 200 | 6-1473005-1 |
| TYPE 1   | △      | AVAILABLE      | BOSSLESS                       | 2.5V (DDR1)         | 18.45 | 1.5 | 1.8 | 200 | 1-1473005-1 |
| TYPE 1   | △      | AVAILABLE      | —H—                            | 2.5V (DDR1)         | 18.45 | 1.5 | 1.8 | 200 | 1473005-1   |
| TAB TYPE | FINISH | TOOLING STATUS | REMARK                         | POWER SUPPLY (TYPE) | D5    | D4  | D3  | POS | PART NO.    |

THIS DRAWING IS A CONTROLLED DOCUMENT.

DWN B.WONG 15JUL10  
 CHK C.WANG 15JUL10  
 APVD S.YAO 15JUL10

**STE** TE Connectivity

NAME: DDR1 & DDR2 SODIMM SOCKET  
 0.6mm PITCH 200POS  
 STANDARD PROFILE STANDARD TYPE

PRODUCT SPEC: 108-5701  
 APPLICATION SPEC

SIZE: A3 CAGE CODE: 00779 DRAWING NO: C-1473005 RESTRICTED TO: -

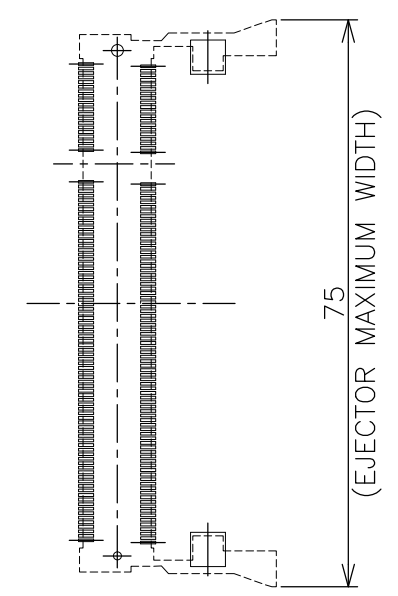
WEIGHT: 4.7g

CUSTOMER DRAWING SCALE: 2:1 SHEET: 1 OF 4 REV: J3

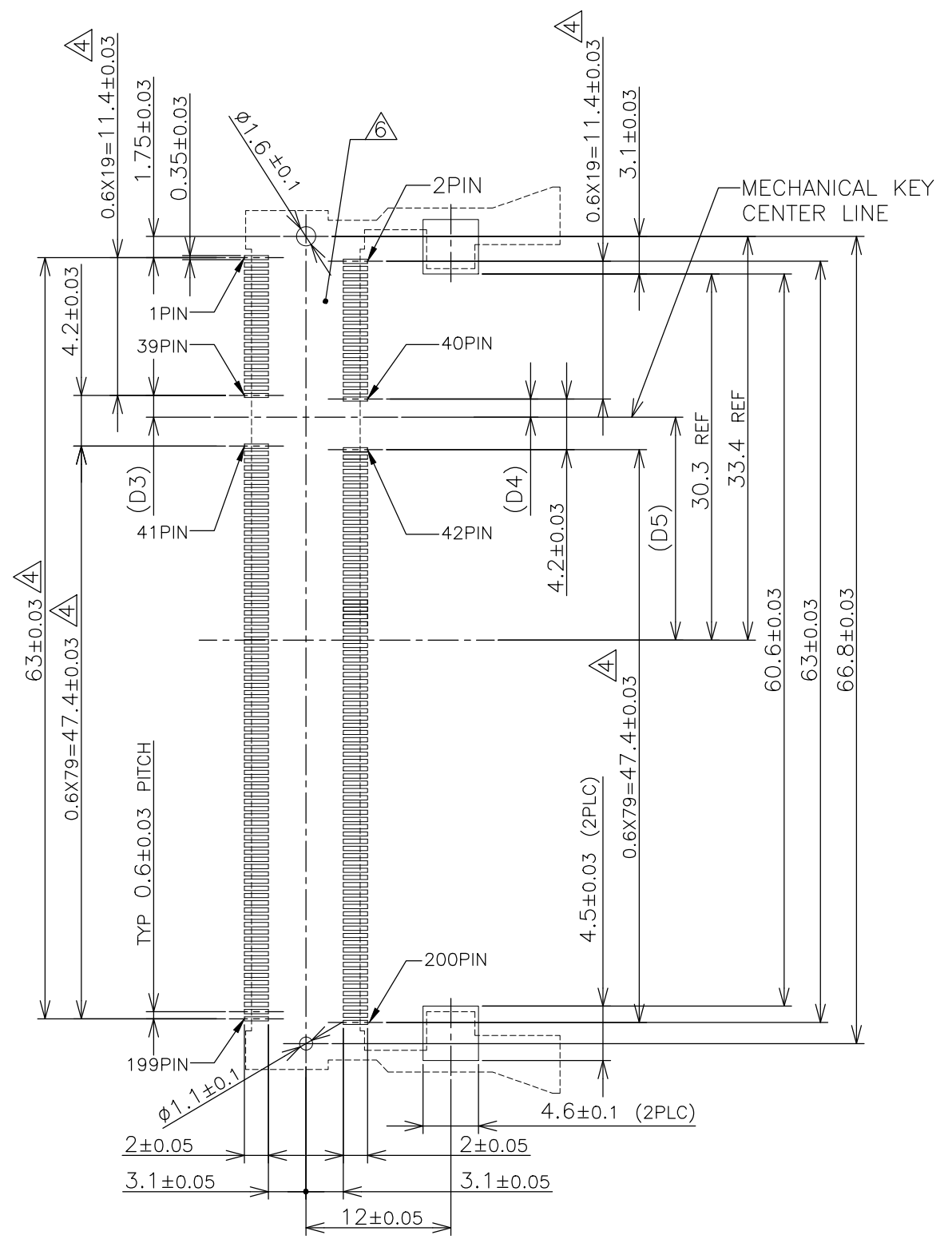
THIS DRAWING IS UNPUBLISHED. RELEASED FOR PUBLICATION NOV. 2001.  
 © COPYRIGHT 2001 By - ALL RIGHTS RESERVED.

| LOC |     | DIST        |      | REVISIONS |      |  |
|-----|-----|-------------|------|-----------|------|--|
| P   | LTR | DESCRIPTION | DATE | DWN       | APVD |  |
|     | -   | SEE SHEET 1 | -    | -         | -    |  |

### REFERENCE P.C. BOARD PATTERN LAYOUT (CONNECTOR MOUNTING SIDE)



REAL SIZE (SCALE 1:1)

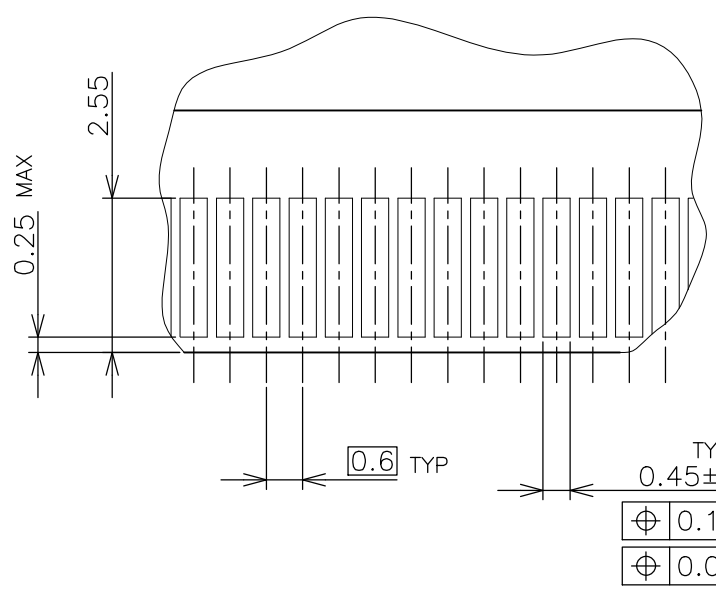
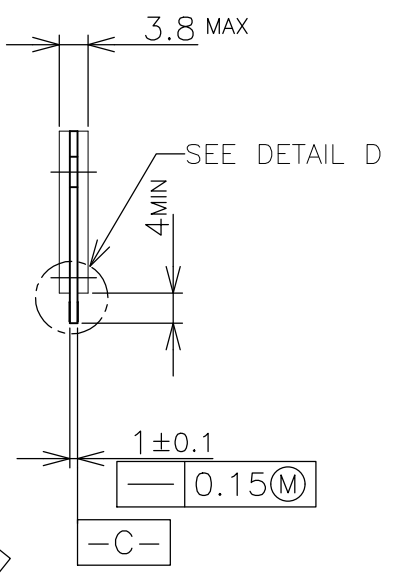
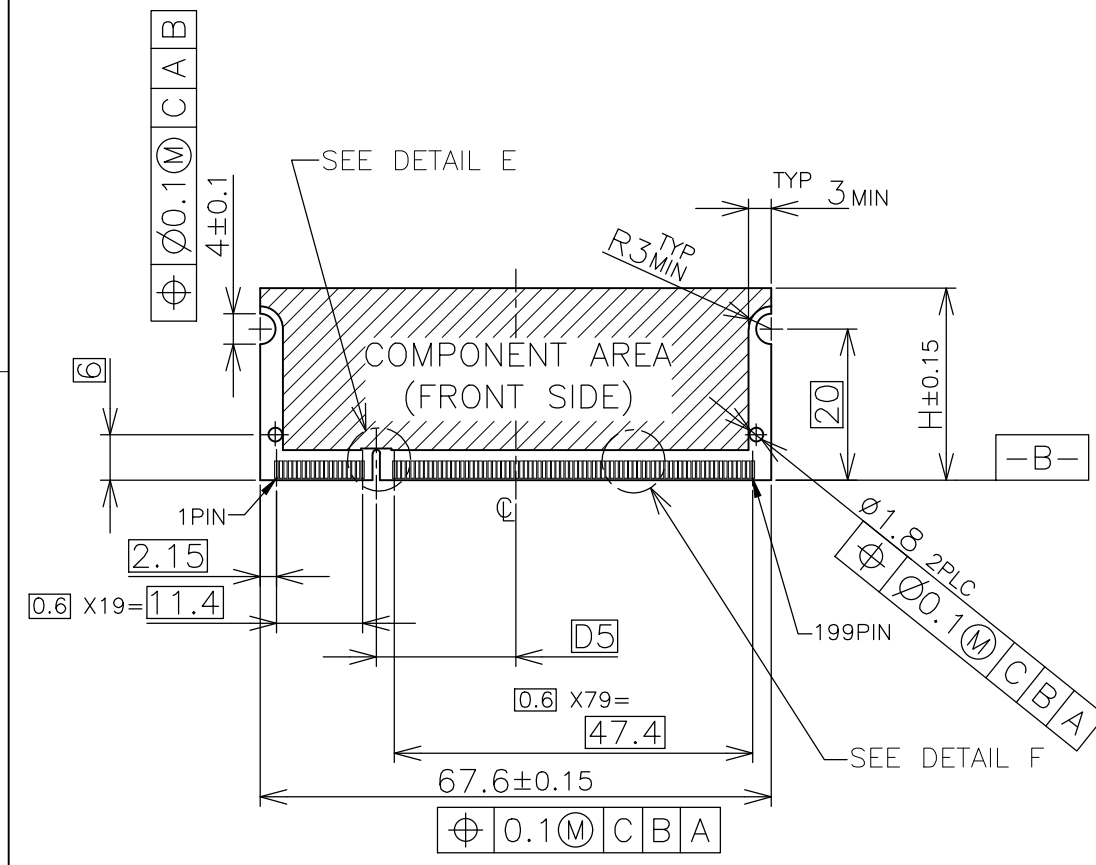


|              |       |     |     |
|--------------|-------|-----|-----|
| 1.8V         | 17.55 | 2.4 | 2.7 |
| 2.5V         | 18.45 | 1.5 | 1.8 |
| POWER SUPPLY | D5    | D4  | D3  |

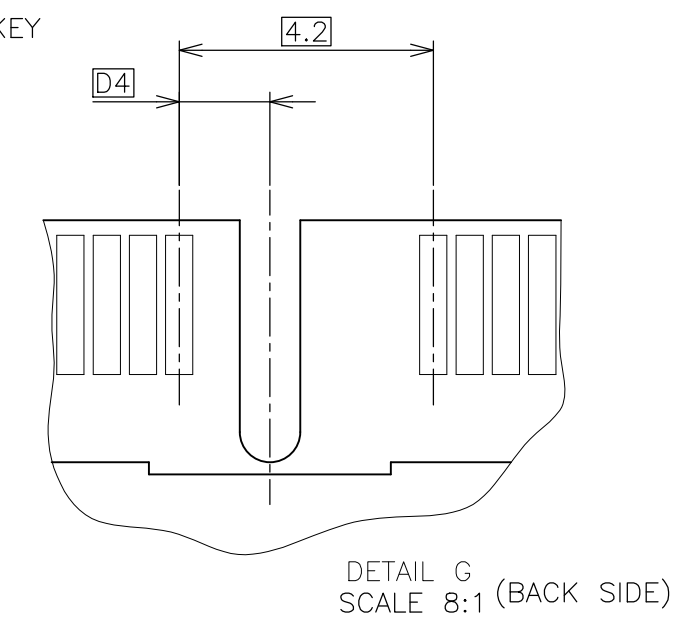
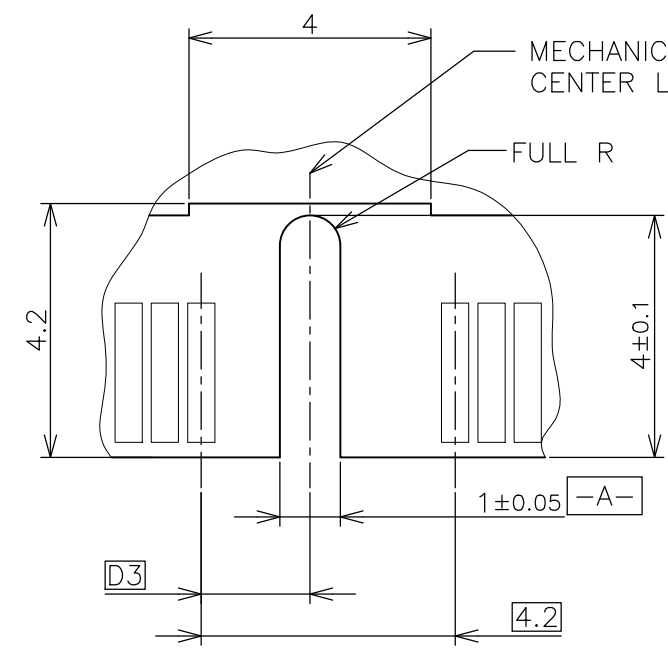
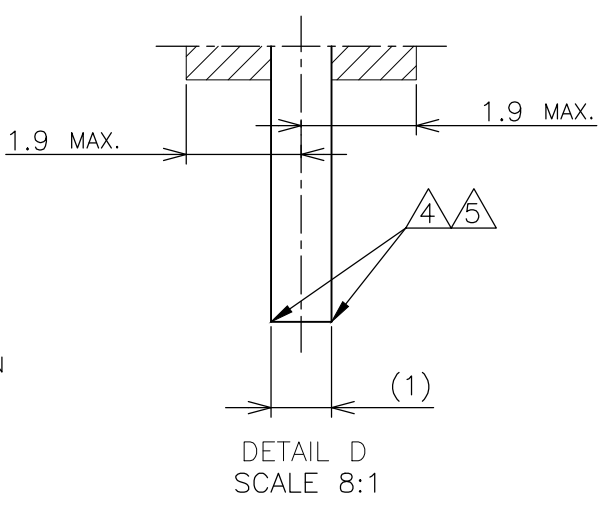
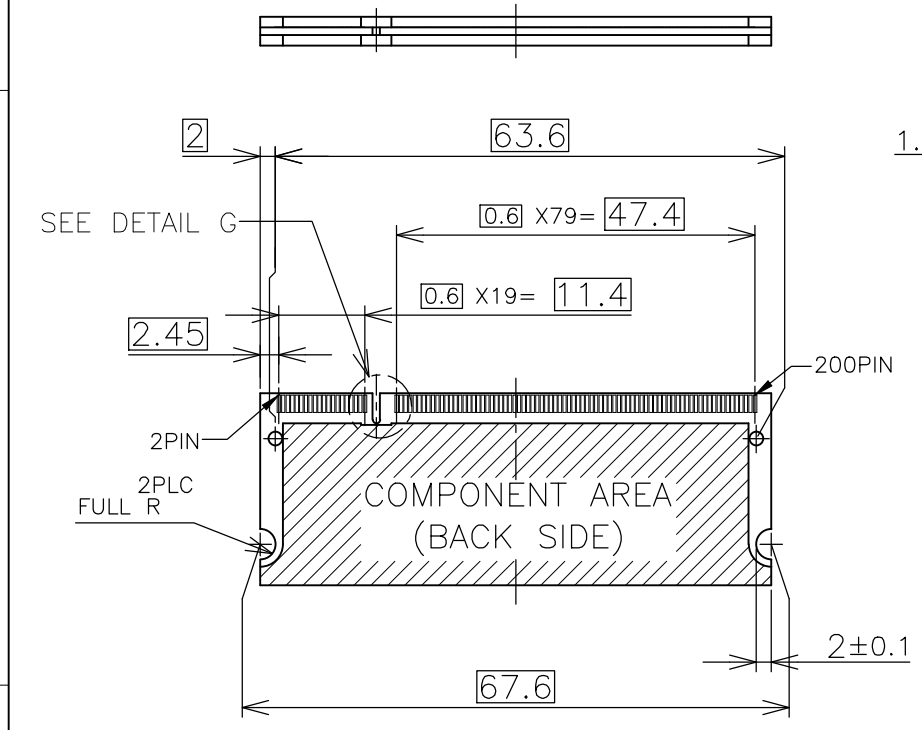
|  |  |                  |  |  |               |
|--|--|------------------|--|--|---------------|
| THIS DRAWING IS A CONTROLLED DOCUMENT.   |  | DWN              |  | TE Connectivity<br>NAME<br>DDR1 & DDR2 SODIMM SOCKET<br>0.6mm PITCH 200POS<br>STANDARD PROFILE STANDARD TYPE |               |
| DIMENSIONS: MM   |  | CHK              |  |  |               |
| TOLERANCES UNLESS OTHERWISE SPECIFIED:   |  | APVD             |  |  |               |
| 0 PLC ±<br>1 PLC ±<br>2 PLC ±<br>3 PLC ±<br>4 PLC ±<br>ANGLES ±<br>MATERIAL FINISH ± |  | PRODUCT SPEC     |  |  |               |
| MATERIAL   |  | APPLICATION SPEC |  | SIZE   | RESTRICTED TO |
|  |  | WEIGHT           |  | A3   |               |
|  |  | CUSTOMER DRAWING |  | CAGE CODE  | DRAWING NO    |
|  |  |                  |  | 00779  | C-1473005     |
|  |  | SCALE            |  | SHEET  | REV           |
|  |  | 2:1              |  | 2 OF 4   | J3            |

THIS DRAWING IS UNPUBLISHED. RELEASED FOR PUBLICATION NOV ,2001.  
 © COPYRIGHT 2001 By - ALL RIGHTS RESERVED.

| LOC | DIST | REVISIONS   |      |     |      |
|-----|------|-------------|------|-----|------|
| P   | LTR  | DESCRIPTION | DATE | DWN | APVD |
| J   |      | SEE SHEET 1 | -    | -   | -    |



- (APPLIED TO SHEET 3)
- TOLERANCES ON ALL DIMENSIONS ±0.15 UNLESS OTHERWISE SPECIFIED.
  - P.C. BOARD THICKNESS APPLIES ACROSS TABS AND INCLUDES PLATING AND/OR METALIZATION.
  - FINISH OF PAD : GOLD PLATING 0.00076 MIN. OVER Ni PLATING 0.002MIN.
- NO BURR  
 CHAMFER 0.25 MAX x 45° IF EXIST.



RECOMMENDED MATING P.C.B CONFIGURATION

|  |  |                  |
|--|--|------------------|
| THIS DRAWING IS A CONTROLLED DOCUMENT. |  | DWN              |
| DIMENSIONS: MM                         |  | CHK              |
| TOLERANCES UNLESS OTHERWISE SPECIFIED: |  | APVD             |
| 0 PLC ±                                |  | PRODUCT SPEC     |
| 1 PLC ±                                |  | APPLICATION SPEC |
| 2 PLC ±                                |  | WEIGHT           |
| 3 PLC ±                                |  | CUSTOMER DRAWING |
| 4 PLC ±                                |  | SCALE 2:1        |
| ANGLES ±                               |  | SHEET 3 OF 4     |
| FINISH ±                               |  | REV J3           |

|       |              |       |     |     |
|-------|--------------|-------|-----|-----|
| 31.75 | 1.8V         | 17.55 | 2.4 | 2.7 |
| 25.4  | 2.5V         | 18.45 | 1.5 | 1.8 |
| H     | POWER SUPPLY | D5    | D4  | D3  |

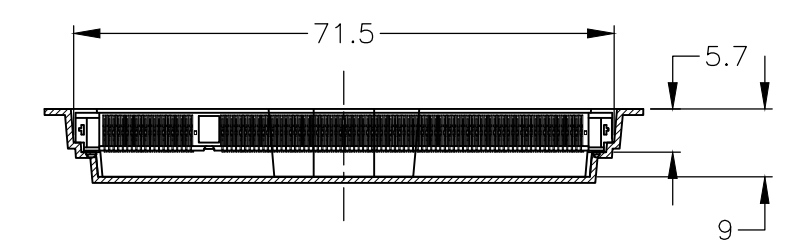
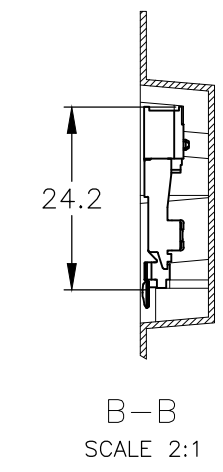
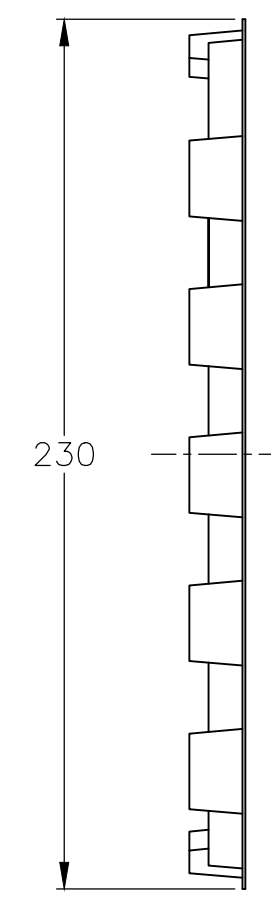
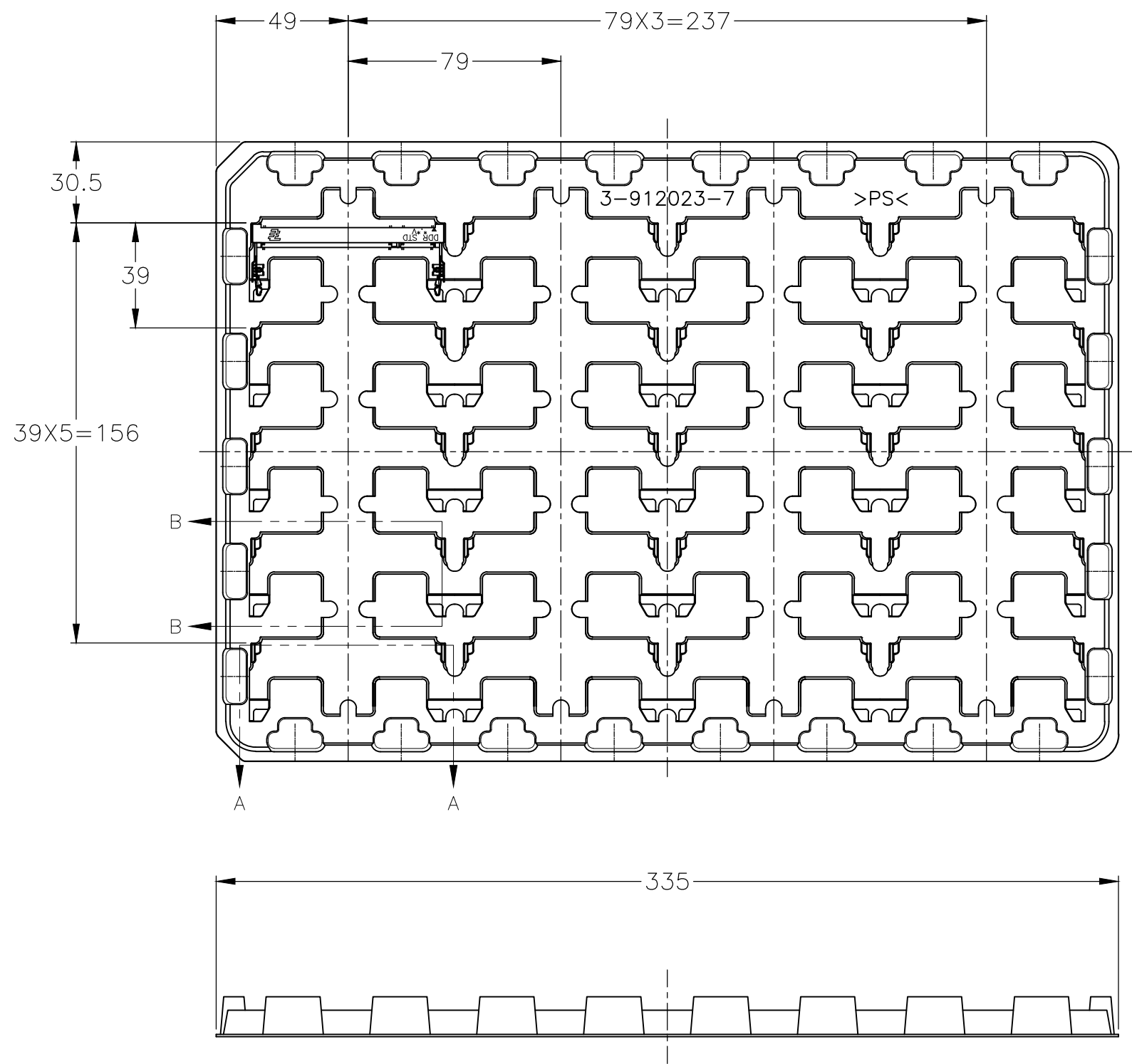
**STE** TE Connectivity

NAME: DDR1 & DDR2 SODIMM SOCKET  
 0.6mm PITCH 200POS  
 STANDARD PROFILE STANDARD TYPE

SIZE: A3 CAGE CODE: 00779 DRAWING NO: C-1473005 RESTRICTED TO: -

THIS DRAWING IS UNPUBLISHED. RELEASED FOR PUBLICATION NOV , 2001.  
 © COPYRIGHT 2001 By - ALL RIGHTS RESERVED.

| LOC | DIST | REVISIONS   |      |     |      |
|-----|------|-------------|------|-----|------|
| P   | LTR  | DESCRIPTION | DATE | DWN | APVD |
| J   |      | SEE SHEET 1 | -    | -   | -    |



|                     |           |             |
|---------------------|-----------|-------------|
| 2.5V (DDR1)         | 20EA/TRAY | 1473005-5   |
| 1.8V (DDR2)         | 20EA/TRAY | 1-1473005-4 |
| 1.8V (DDR2)         | 20EA/TRAY | 1473005-4   |
| 2.5V (DDR1)         | 20EA/TRAY | 6-1473005-1 |
| 2.5V (DDR1)         | 20EA/TRAY | 1-1473005-1 |
| 2.5V (DDR1)         | 20EA/TRAY | 1473005-1   |
| POWER SUPPLY (TYPE) | QTY       | P/N         |

(APPLIED TO SHEET 4)  
 1. THE DIRECTION OF EACH CONNECTOR ON A TRAY IS REFERRED TO THIS DRAWING.  
 2. GENERAL TOLERANCE: ±0.5

|   |  |              |  |  |  |
|---|--|--------------|--|--|--|
| THIS DRAWING IS A CONTROLLED DOCUMENT.                                      |  | DWN          |  | TE Connectivity<br>NAME: DDR1 & DDR2 SODIMM SOCKET<br>0.6mm PITCH 200POS<br>STANDARD PROFILE STANDARD TYPE |  |
| DIMENSIONS: MM  |  | CHK          |  |  |  |
| TOLERANCES UNLESS OTHERWISE SPECIFIED:                                      |  | APVD         |  |  |  |
| 0 PLC ±<br>1 PLC ±<br>2 PLC ±<br>3 PLC ±<br>4 PLC ±<br>ANGLES ±<br>FINISH ± |  | PRODUCT SPEC |  |  |  |
| MATERIAL  |  | APVD         |  | RESTRICTED TO  |  |
|   |  | APVD         |  | SIZE: A3   |  |
|   |  | APVD         |  | CAGE CODE: 00779   |  |
|   |  | APVD         |  | DRAWING NO: C-1473005  |  |
|   |  | APVD         |  | SCALE: 1:2   |  |
|   |  | APVD         |  | SHEET: 4 OF 4  |  |
|   |  | APVD         |  | REV: J3  |  |
|   |  | APVD         |  | CUSTOMER DRAWING   |  |