

THIS DRAWING IS UNPUBLISHED.

RELEASED FOR PUBLICATION

© COPYRIGHT - Tyco Electronics Japan G.K.

ALL RIGHTS RESERVED.

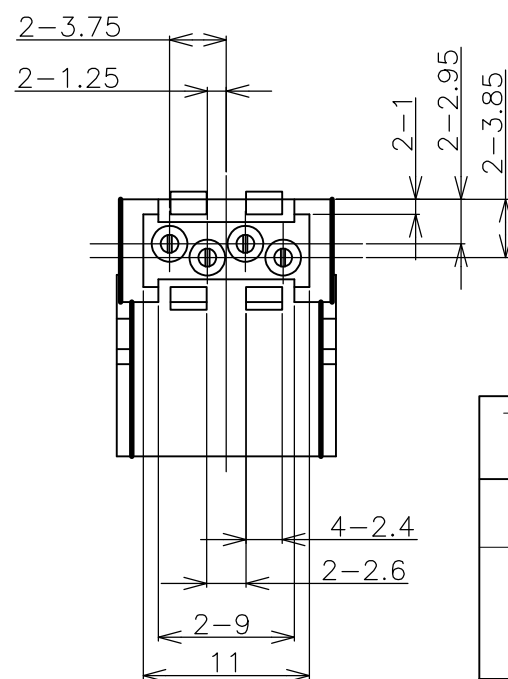
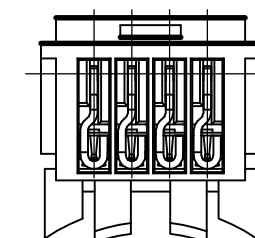
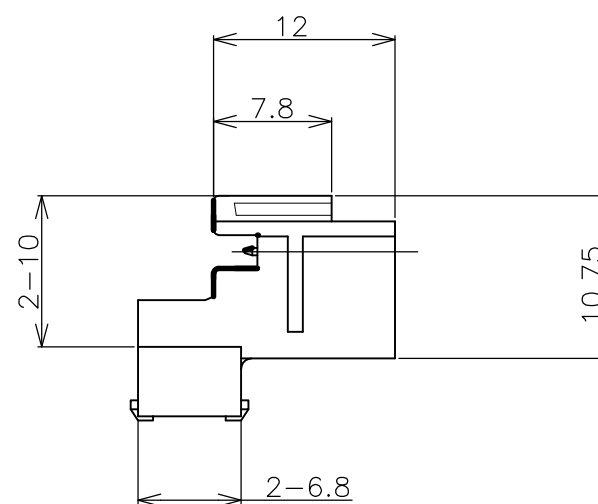
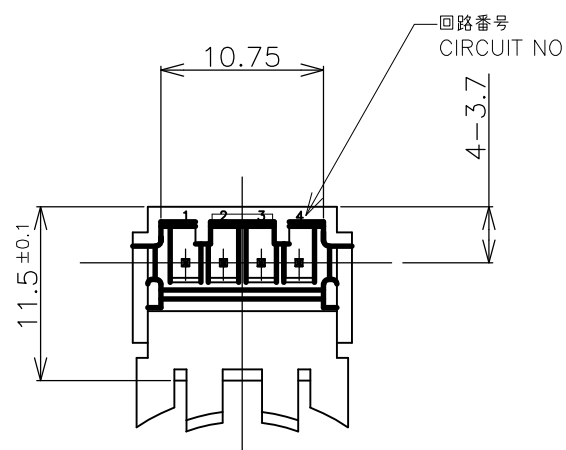
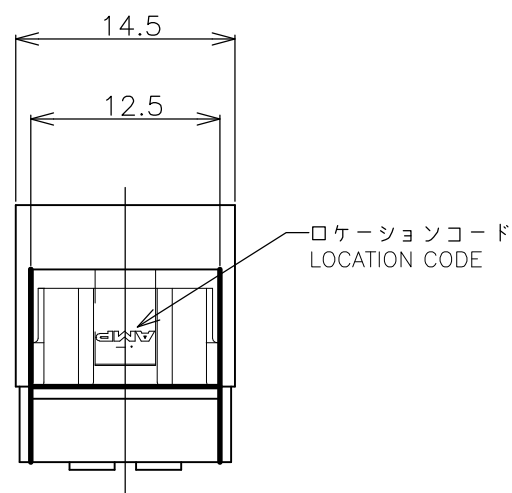
REVISIONS

変更


P	LTR	DESCRIPTION	DATE	DWN	APVD
	A1	REVISED PER ECR-16-016453	22NOV2016	K.S	D.Z

NOTE:

- MATED CONNECTOR : 2.5mm SIGNAL MATE CONNECTOR
PLUG HOUSING P/N : □-1376477-4
RECPTACLE CONTACT P/N : 0-1376476-1
- MATERIAL
CONTACT:PRE-TIN PHOSPHOR BRONZE t=0.5
HOUSING:6/6 NYLON UNREINFORCED (94V-0)



1473585-1
Part Number
製品型番

THIS DRAWING IS A CONTROLLED DOCUMENT.		DWN ALEX ZHANG 20AUG 2013	 TE Connectivity		
DIMENSIONS: 単位: 耗 mm		CHK FEI MIAO 21AUG 2013			
TOLERANCES UNLESS OTHERWISE SPECIFIED: 一般公差		APVD YUHONG MAO 21AUG 2013	NAME 名称 I/O THROUGH CONNECTOR ASS'Y 4Pos.		
0 PLC ± 0.3 1 PLC ± 0.2 2 PLC ± 0.2 3 PLC ± 4 PLC ± ANGLES ± 3		PRODUCT SPEC 製品規格 108-5752	SIZE A3		
MATERIAL 材料 SEE NOTE		APPLICATION SPEC 取付適用規格	CAGE CODE 00779	DRAWING NO 番号 C-1473585	RESTRICTED TO -
		WEIGHT 2.63 g	SCALE 尺度 2:1		
		CUSTOMER DRAWING	SHEET 1 OF 1		REV A1