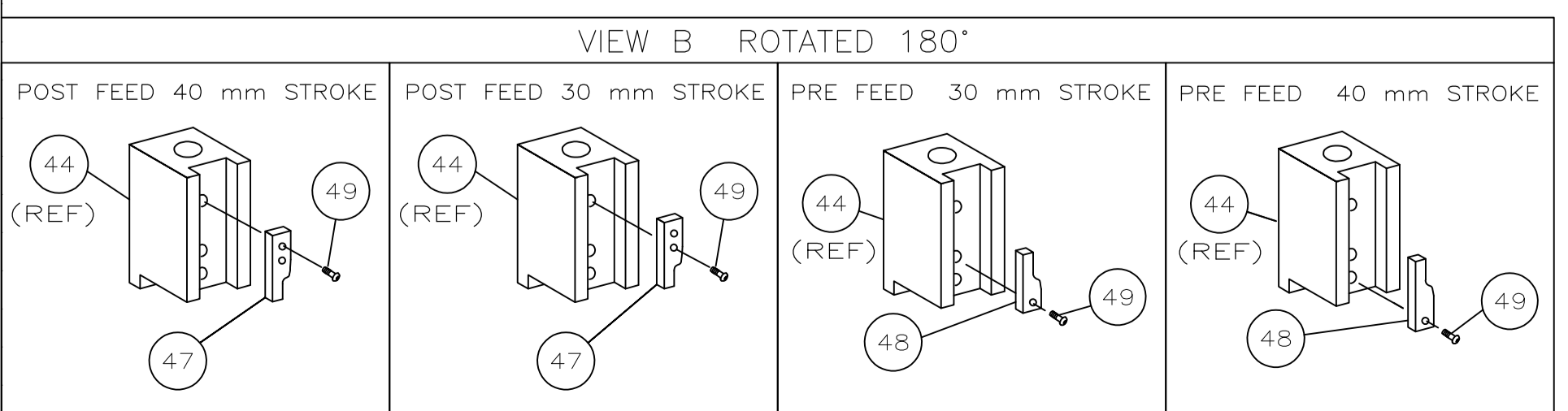
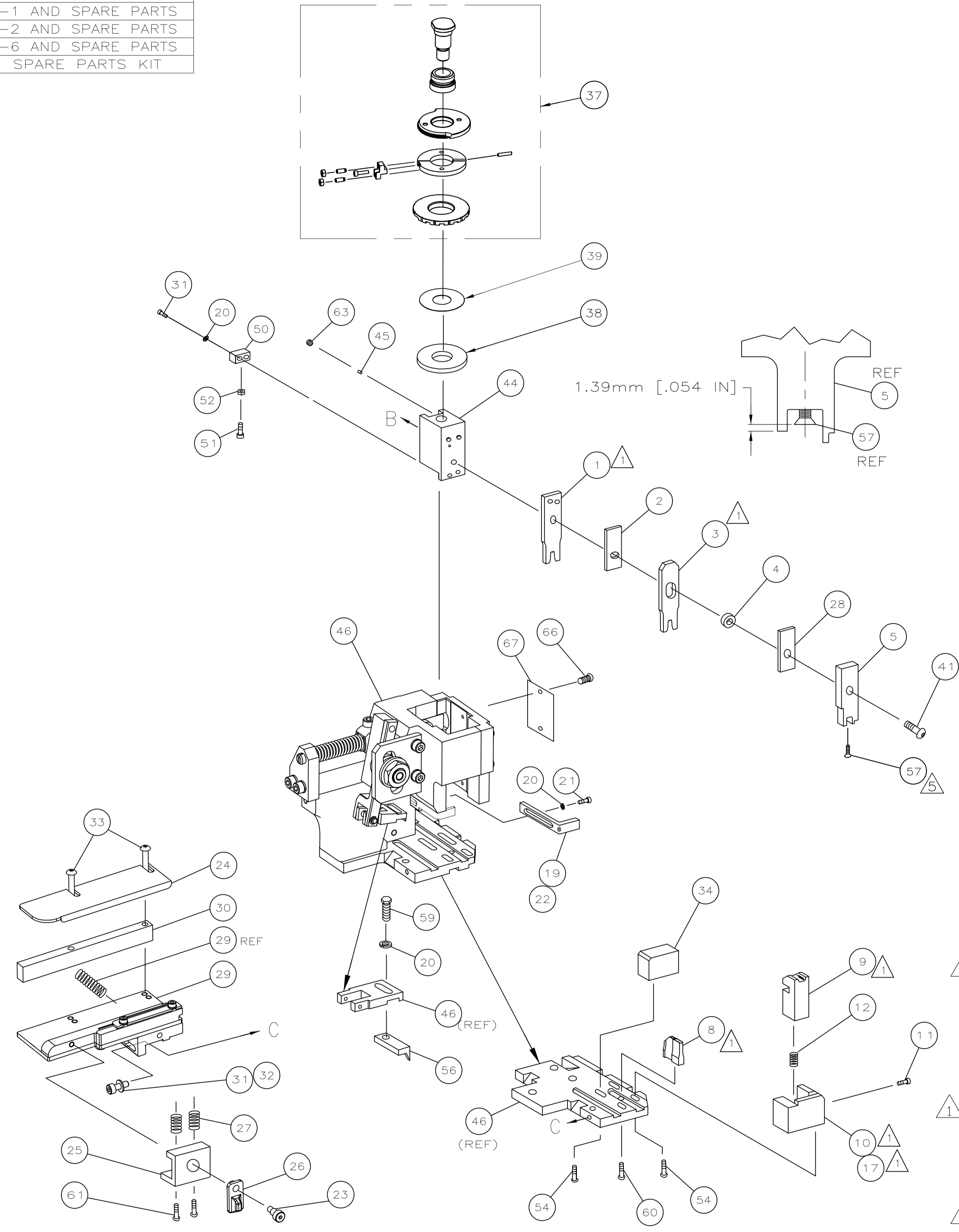


PART NUMBER	REV	FIRST USED	TERMINATOR	FEED TYPE	DESCRIPTION
1528116-1	D	-	LEADMAKER	MECH POST FEED	CUTS CARRIER
1528116-2	D	-	BENCH	MECH PRE FEED	CUTS CARRIER
1528116-6	D	-	LEADMAKER	MECH POST FEED	CONTINUOUS CARRIER
7-1528116-1	D	-	LEADMAKER	MECH POST FEED	-1 AND SPARE PARTS
7-1528116-2	D	-	BENCH	MECH PRE FEED	-2 AND SPARE PARTS
7-1528116-6	D	-	LEADMAKER	MECH POST FEED	-6 AND SPARE PARTS
7-1528116-7	A	-	-	-	SPARE PARTS KIT

CRIMP DATA AMP TERMINAL AMP CRIMP SPECS			
TERMINAL NAME: CONTACT .070" SER MINI MIC RECEPTACLE			
CRIMP	SIZE	TYPE	RANGE
WIRE	1.78 [.070 IN]	F	0.5mm ² - 1.0mm ²
INSUL	3.05 [.120 IN]	0	1.20-2.00 [.047-.079 IN]
WIRE STRIP LENGTH		APPL INSTRUCTION	
3.20-4.20 [.126-.165 IN]		408-8322 & 408-8490	
TERMINAL APPL SPEC	114-37007	FEED	11.89 [.468 IN]
TERMINALS APPLIED			
TERMINAL	SEAL	-	-
282438	963530	-	-
444541	444049	-	-
353038	-	-	-
-	-	-	-
-	-	-	-
-	-	-	-
-	-	-	-
WIRE SIZE	CRIMP HEIGHT	REF SETTING	
mm ² AWG	*		
1.00mm ²	1.50 ±0.05 [.059 ±.002 IN]	B 7	
0.85mm ²	1.41 ±0.05 [.0560 ±.002 IN]	C 3	
0.75mm ²	1.37 ±0.05 [.054 ±.002 IN]	C 7	
0.50mm ²	1.24 ±0.05 [.049 ±.002 IN]	D 6	
-	-	-	
-	-	-	
-	-	-	
-	-	-	
SET UP GAGE	LAYOUT		
458637-3	L1426132		

- 1 RECOMMENDED SPARE PARTS.
- 2. GREASE RAM, CAM, CAM FOLLOWER AND FEED ROD LIGHTLY.
- 3. LUBRICATE DAILY PER THE APPLICATOR INSTRUCTION SHEET SUPPLIED WITH THE APPLICATOR.
- 4 THIS APPLICATOR APPLIES TERMINAL WITH A SEAL.
- 5 APPLY TORQ-SEAL IN ALLEN SOCKET TO FILL HOLE AFTER FLAT HD HAS BEEN ADJUSTED TO CORRECT HEIGHT AT QUALIFICATION. APPLY #1-23419-5 LOC-TITE TO THREADS.



* WARNING:
 ON INSTALLATION, SET WIRE DISC TO LARGEST WIRE SIZE SETTING. USE OF SETTINGS BELOW MIN REQ'D CRIMP HEIGHT SETTING WILL CAUSE DAMAGE TO CRIMP TOOLING.

QTY	REQD	PER	ASSY	PART NO	DESCRIPTION	ITEM NO
-	1	1	1	1	1	73
-	1	1	1	1	1	72
-	1	1	1	1	1	71
-	1	1	1	1	1	70
-	1	1	1	1	1	69
-	1	1	1	1	1	68
-	1	1	1	1	1	67
-	2	2	2	2	2	66
-	1	1	1	1	1	65
-	1	1	1	1	1	64
-	1	1	1	1	1	63
-	2	2	2	2	2	62
-	1	1	1	1	1	61
-	1	1	1	1	1	60
-	1	1	1	1	1	59
-	1	1	1	1	1	58
-	1	1	1	1	1	57
-	1	1	1	1	1	56
-	4	4	4	4	4	55
-	1	1	1	1	1	54
-	1	1	1	1	1	53
-	1	1	1	1	1	52
-	1	1	1	1	1	51
-	1	1	1	1	1	50
-	1	1	1	1	1	49
-	1	1	1	1	1	48
-	1	1	1	1	1	47
-	1	1	1	1	1	46
-	1	1	1	1	1	45
-	1	1	1	1	1	44
-	1	1	1	1	1	43
-	1	1	1	1	1	42
-	1	1	1	1	1	41
-	1	1	1	1	1	40
-	1	1	1	1	1	39
-	1	1	1	1	1	38
-	1	1	1	1	1	37
-	1	1	1	1	1	36
-	1	1	1	1	1	35
-	1	1	1	1	1	34
-	2	2	2	2	2	33
-	1	1	1	1	1	32
-	3	3	3	3	3	31
-	1	1	1	1	1	30
-	1	1	1	1	1	29
-	1	1	1	1	1	28
-	2	2	2	2	2	27
-	1	1	1	1	1	26
-	1	1	1	1	1	25
-	1	1	1	1	1	24
-	1	1	1	1	1	23
-	1	1	1	1	1	22
-	1	1	1	1	1	21
-	4	4	4	4	4	20
-	1	1	1	1	1	19
-	1	1	1	1	1	18
-	1	1	1	1	1	17
-	1	1	1	1	1	16
-	1	1	1	1	1	15
-	1	1	1	1	1	14
-	1	1	1	1	1	13
-	1	1	1	1	1	12
-	1	1	1	1	1	11
-	1	1	1	1	1	10
-	1	1	1	1	1	9
1	2	2	2	1	1	8
-	1	1	1	1	1	7
-	1	1	1	1	1	6
-	1	1	1	1	1	5
-	1	1	1	1	1	4
1	2	2	2	1	1	3
-	1	1	1	1	1	2
1	2	2	2	1	1	1
-77	-76	-72	-71	-6	-2	-1

DIMENSIONS:		TOLERANCES UNLESS OTHERWISE SPECIFIED:	
INCHES	0 PLC ± -	1 PLC ± -	2 PLC ± 0.5 [0.2 IN]
	3 PLC ± -	4 PLC ± -	ANGLES ± -
MATERIAL	FINISH	WEIGHT	SCALE

THIS DRAWING IS A CONTROLLED DOCUMENT. DWG L1426132 24JUN02
 APVD F BACKHURST 24JUN02
 NAME FINE ADJ SIDE FD HD-1 APPL
 SIZE A1 CAGE CODE 00779 DRAWING NO 1528116
 CUSTOMER DRAWING