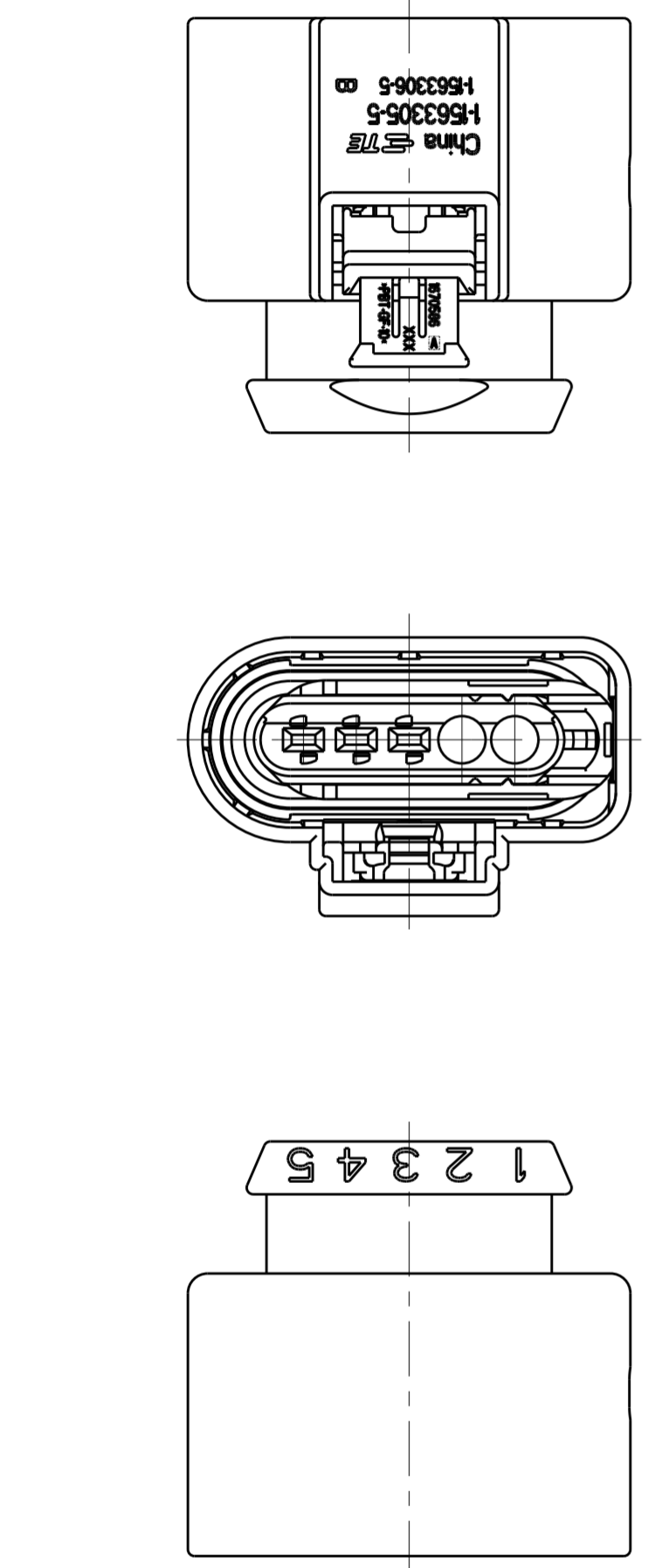


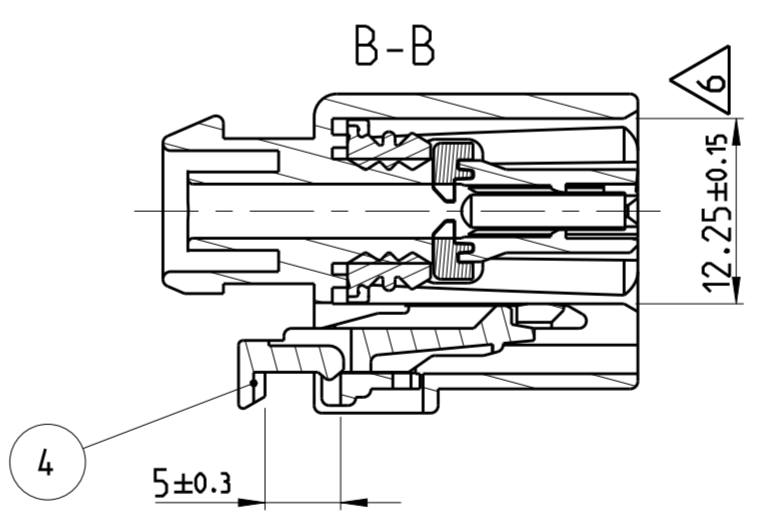
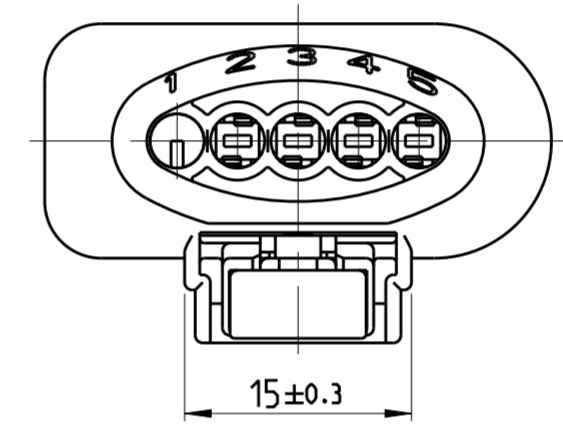
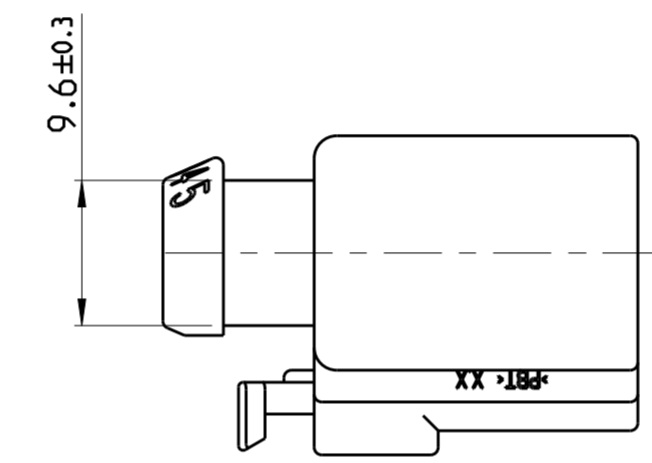
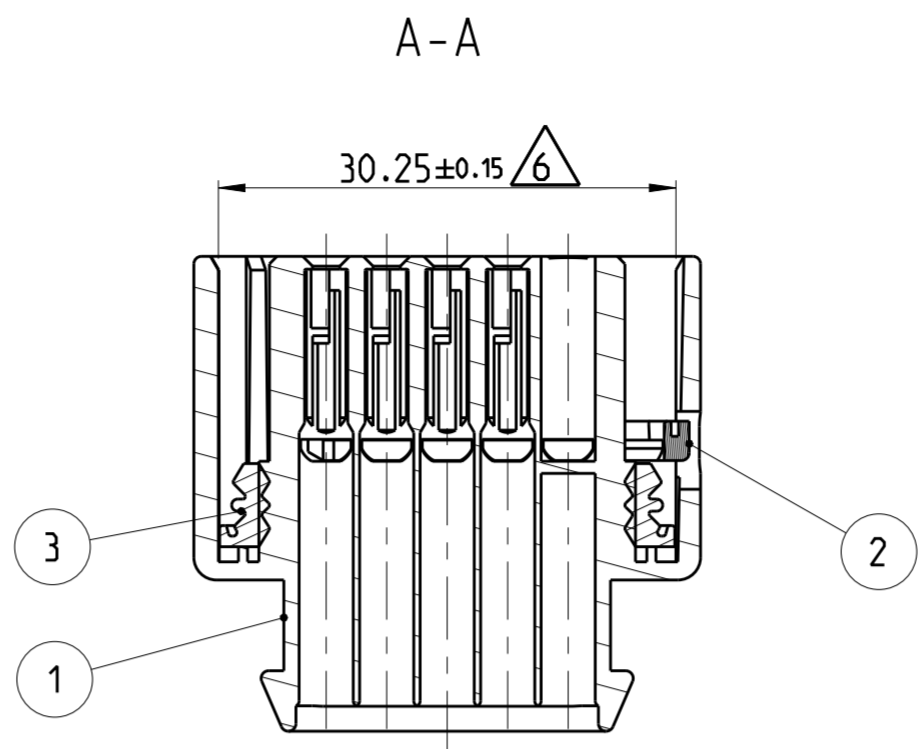
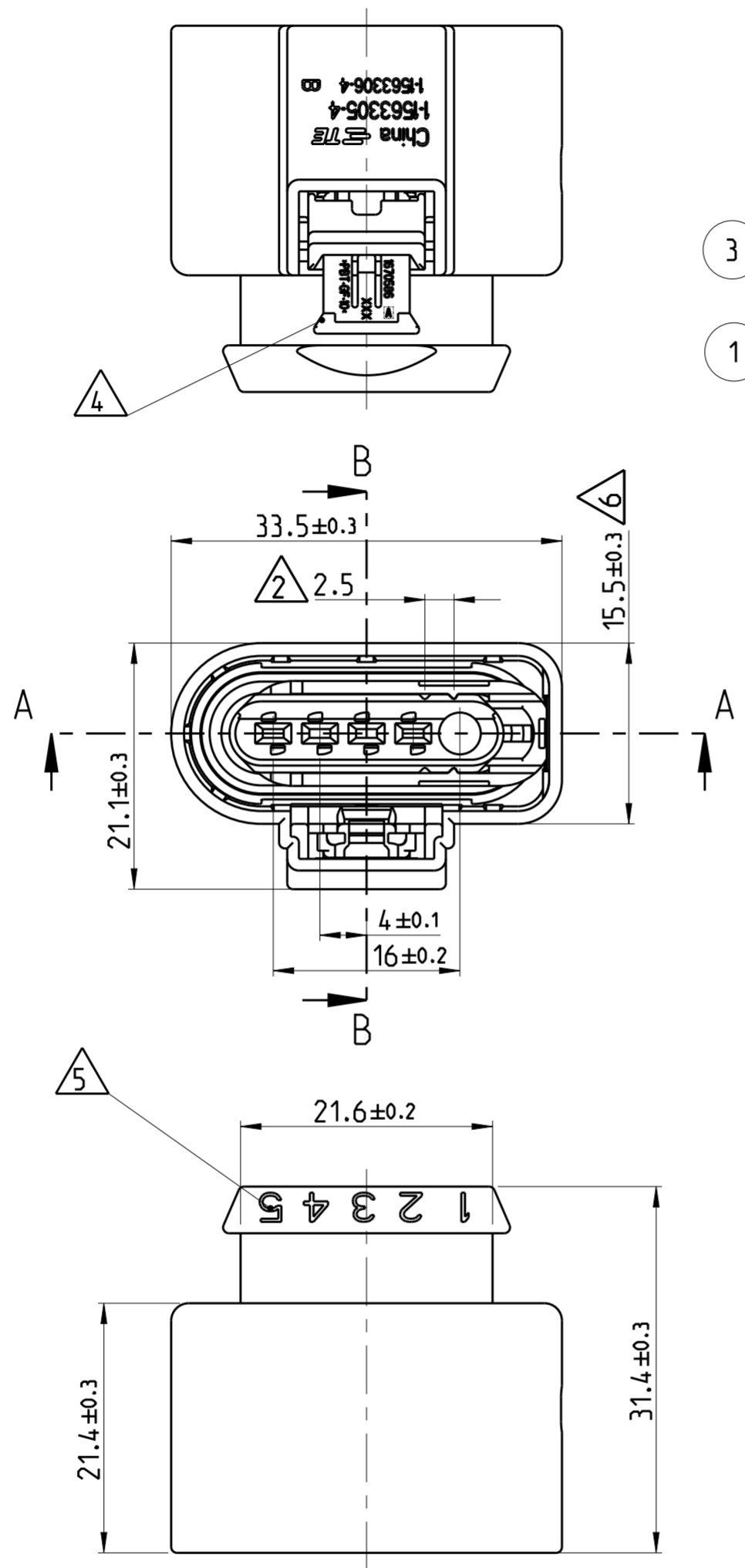
THIS DRAWING IS UNPUBLISHED. RELEASED FOR PUBLICATION
 © COPYRIGHT ALL RIGHTS RESERVED.

REVISIONS					
P	LTR	DESCRIPTION	DATE	DWN	APVD
C1		FIRST RELEASED	29OCT2014	T.W	S.W
C2		1-1563305-5 ADDED	11MAY2015	T.W	S.W

(C2) SHOWN VIEW FOR PN 1-1563305-5



PN 1-1563305-4 AS SHOWN



NOTES

- 1 SUITABLE TERMINAL 1241380-1 AND WIRE SEALING 964971-1
SUITABLE MATING PART 1-969920-1
- 2 CONDITION AS SUPPLIED: RETAINER IN PRE-LOCKED POSITION,
AFTER CONTACT LOADING TO DRIFT IN THIS DIRECTION (2.5mm)
- 3 BULK PACKAGED
- 4 WITH CPA (CONNECTOR POSITION ASSURANCE)
- 5 CONTACT CAVITY NUMBER
- 6 ALLOWED WARPAGE ±0.5
- 7 CHAMBER 1 CLOSED
- (C2) 8 CHAMBER 1 AND 2 CLOSED

ITEM NO	DESCRIPTION	COLOR	MATERIAL	REV	TE-NO	COD	
4	CPA. ...	RED	PBT-GF10				
3	RADIAL SEAL ...	NATURAL	MVQ				
2	RETAINER. ...	VIOLET	PBT-GF10	C	1-1563305-5	I	(C2)
1	3 POSITION. AMP MCP1.5K. ...	PLATINUM GREY	PBT				
4	CPA. ...	RED	PBT-GF10				
3	RADIAL SEAL ...	NATURAL	MVQ				
2	RETAINER. ...	VIOLET	PBT-GF10	C	1-1563305-4	I	(C2)
1	4 POSITION. AMP MCP1.5K. ...	GREY	PBT				
ITEM NO	DESCRIPTION	COLOR	MATERIAL	REV	TE-NO	COD	

THIS DRAWING IS A CONTROLLED DOCUMENT.		DWN T.WANG 29OCT2014	 TE Connectivity
DIMENSIONS: mm		CHK H.YE 29OCT2014	
TOLERANCES UNLESS OTHERWISE SPECIFIED:		APVD S.WANG 29OCT2014	NAME 3/4 POS. AMP MCP1.5K. RECEPTACLE HOUSING
1 PLC ± ACC. TO 2 PLC ± DIN 16901-140 3 PLC ± CENTRIC TO 4 PLC ± NOMINAL DIM ANGLES ± FINISH -		PRODUCT SPEC - APPLICATION SPEC - WEIGHT -	SIZE A2
MATERIAL SEE TABLE		Customer Drawing	CAGE CODE 00779
		SCALE 2:1	DRAWING NO C-1563305
		SHEET 1 OF 1	RESTRICTED TO -
		REV C2	