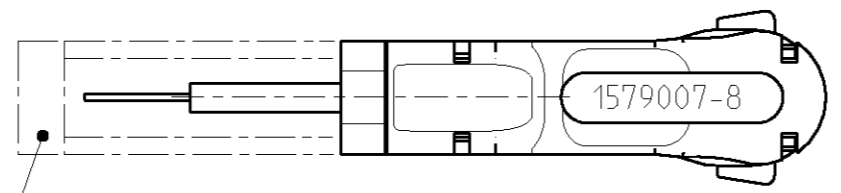
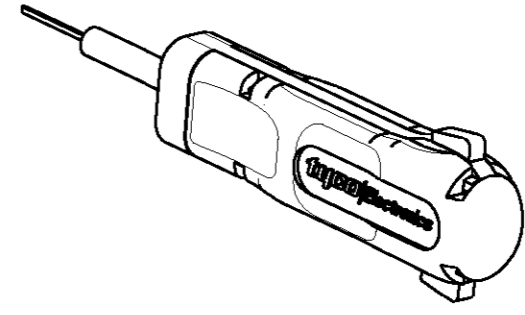
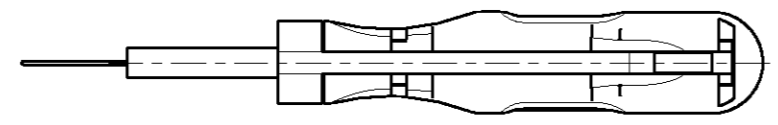
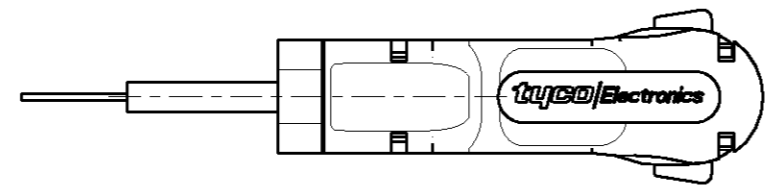


THIS DRAWING IS UNPUBLISHED. RELEASED FOR PUBLICATION 2003
 © COPYRIGHT 2003 BY TYCO ELECTRONICS CORPORATION. ALL RIGHTS RESERVED.

LOC	DIST	REVISIONS					
		P	LTR	DESCRIPTION	DATE	DWN	APVD
A1	-		A	EG00-1412-03	13MAR2003	ZA	-



COVER SLIDE
Schutzschieber

!! ONLY FOR SECONDARY UNLOCKING !!
 Nur fuer Sekundaerentriegelung !!

FOR CONTACTS: MLK 1.2 / HOUSING 1-1534205-1
 MCP 1.2

<small>THIS DRAWING IS A CONTROLLED DOCUMENT FOR TYCO ELECTRONICS CORPORATION IT IS SUBJECT TO CHANGE AND THE CONTROLLING ENGINEERING ORGANIZATION SHOULD BE CONTACTED FOR THE LATEST REVISION.</small>		DWN 04FEB2004 J. ZAJICEK		tyco tyco Electronics AMP GmbH Electronics D - 64625 Bensheim	
DIMENSIONS: mm		TOLERANCES UNLESS OTHERWISE SPECIFIED: 0 PLC ± 1 PLC ± 2 PLC ± 3 PLC ± 4 PLC ± ANGLES ±1°		NAME EXTRACTION TOOL Entriegelungswerkzeug	
		MATERIAL . FINISH -		PRODUCT SPEC - APPLICATION SPEC - WEIGHT -	
		CUSTOMER DRAWING		SIZE A3 CAGE CODE 00779 DRAWING NO C=1579007-8 RESTRICTED TO -	
				SCALE 1:1 SHEET 1 OF 1 REV A	