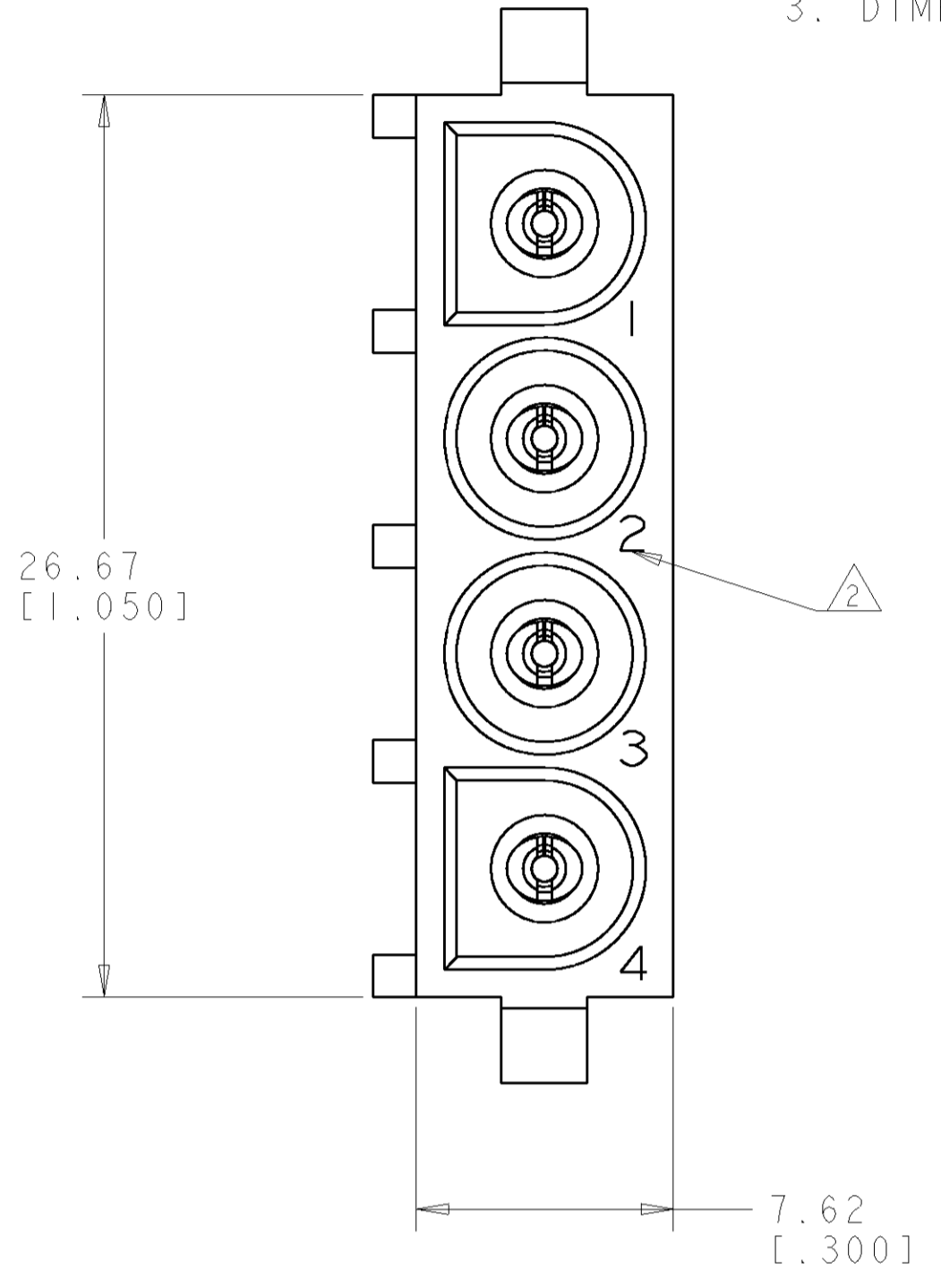
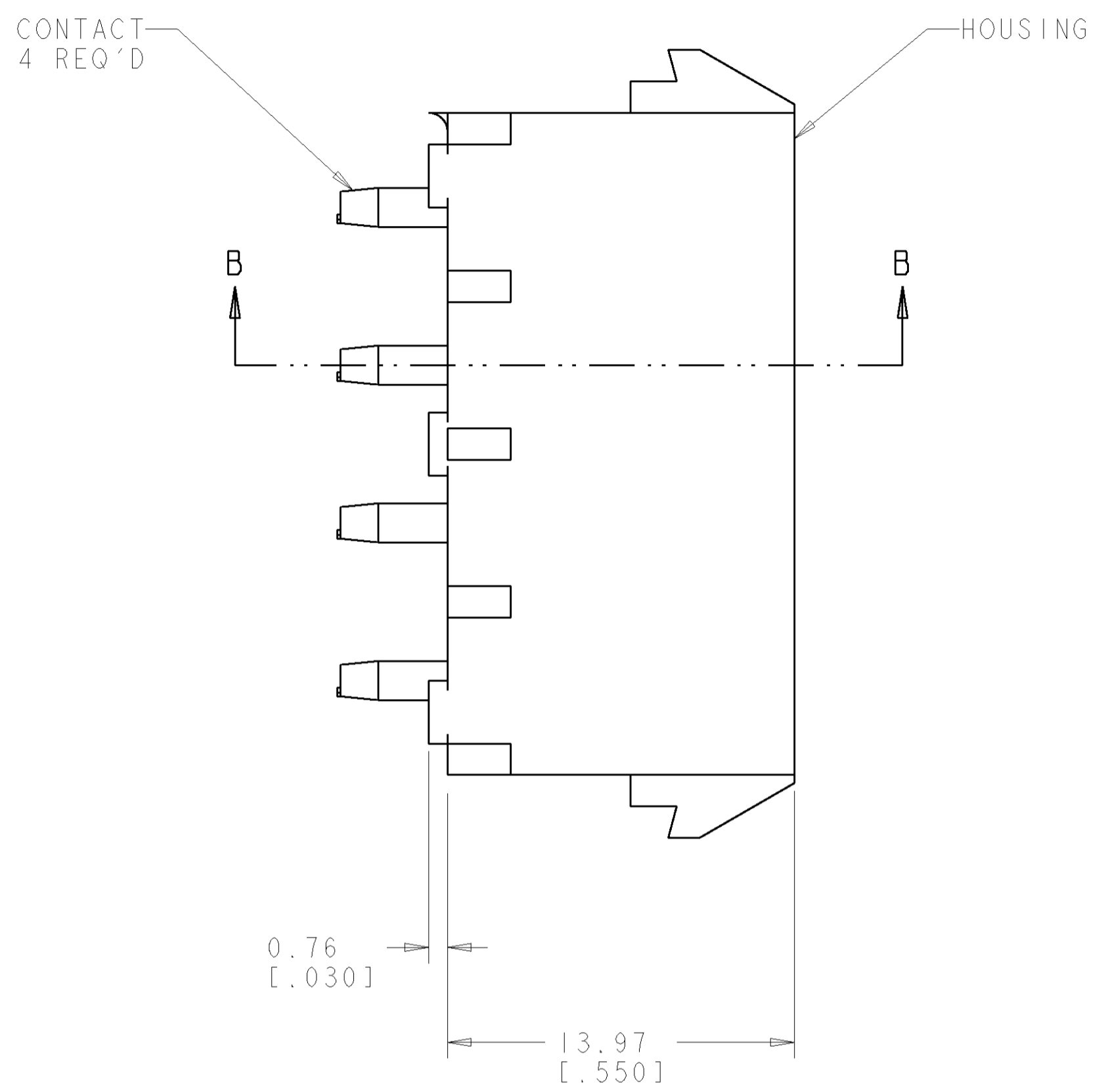
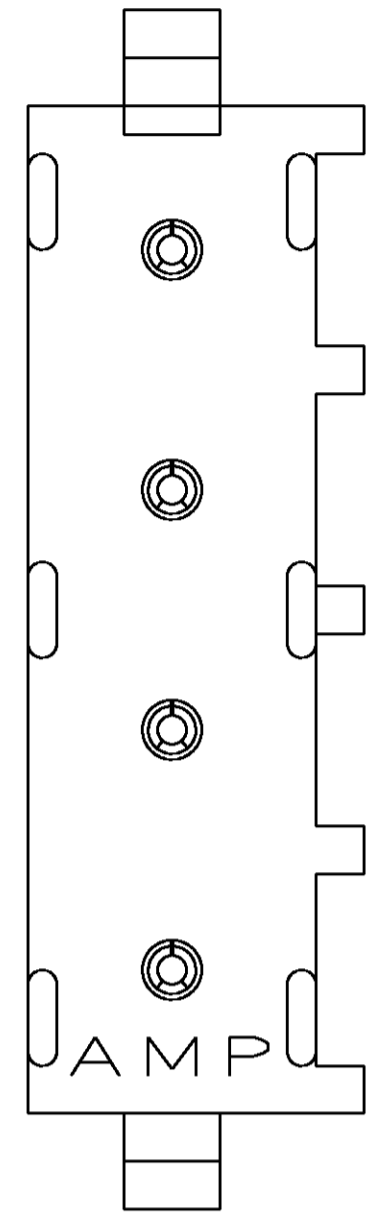
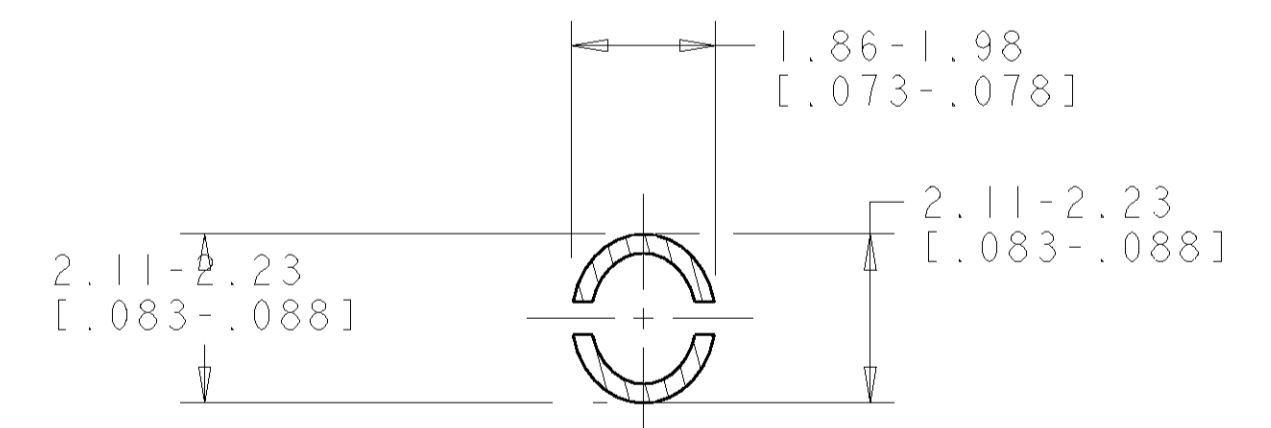
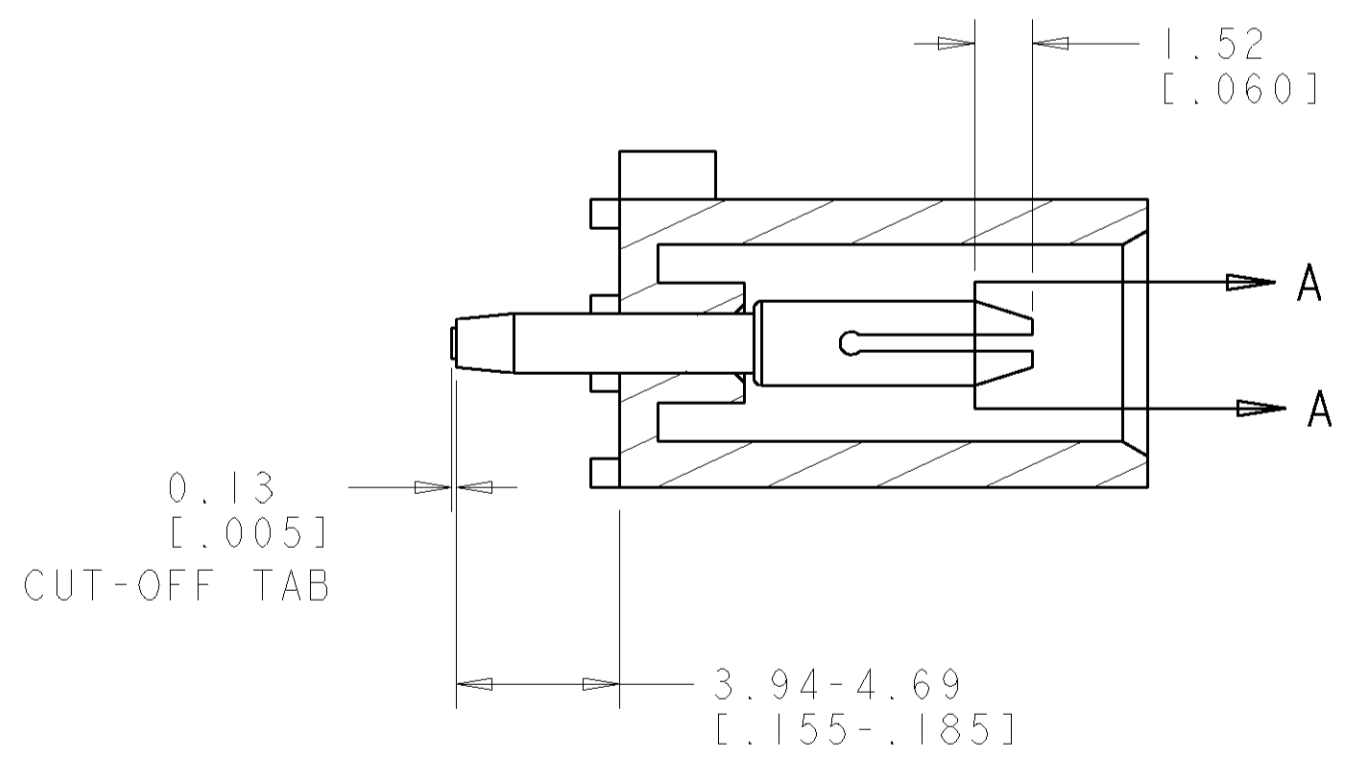


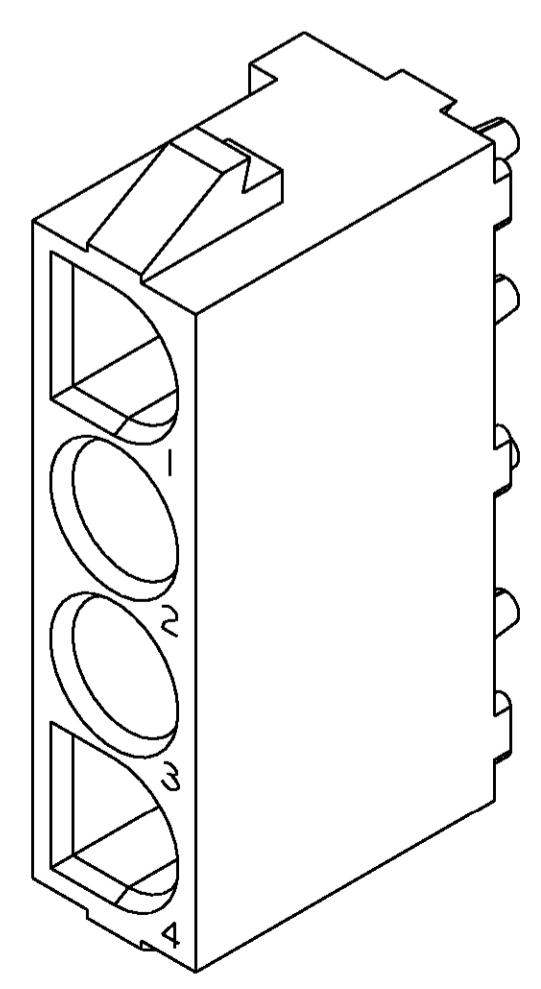
LOC	DIST	REV	DESCRIPTION	DATE	DWN	APVD
CM	00	0	RELEASED PER 0638-0439-03	22-NOV-03	KW	SR



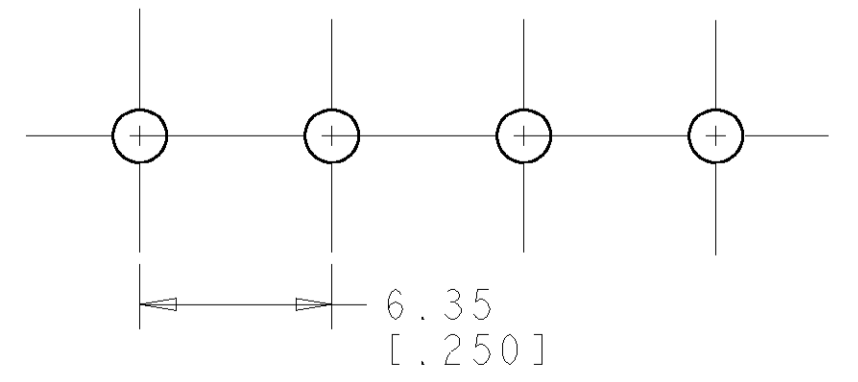
- PARTS COMPLY TO AMP SOLDERABILITY SPECIFICATION 109-11-3.
- CIRCUIT IDENTIFICATION CHARACTERS ARE ADJACENT TO THE INDICATED CAVITIES, BUT LOCATION AND ORIENTATION MAY DIFFER FROM PRINT.
- DIMENSIONS IN BRACKETS ARE IN INCHES.



SECTION A-A  
SCALE 10:1



3 DIMENSIONAL MODEL  
SCALE 4:1



RECOMMENDED MOUNTING HOLE PATTERN  
FOR 1.57 [0.062] THICK P.C. BOARD

PHOSFOR BRONZE, PRE-TIN PIN CONTACT MATERIAL AND FINISH	NYLON, UL94V-0, WHITE HOUSING MATERIAL AND COLOR	1586163-1 PART NUMBER
DIMENSIONS: mm [INCHES] TOLERANCES UNLESS OTHERWISE SPECIFIED: 0 PLC ± 1 PLC ± 2 PLC ±0.13 (0.005) 3 PLC ± 4 PLC ± ANGLES 40°±10° FINISH SEE TABLE		DWN R. WHITAKER 22-NOV-03 ENR S. RIDGILL 22-NOV-03 APVD S. RIDGILL 22-NOV-03 PRODUCT SPEC APPLICATION SPEC WEIGHT CUSTOMER DRAWING
MATERIAL SEE TABLE FINISH SEE TABLE		Tyco Electronics Harrisburg, PA 17105-3608 NAME PIN HEADER ASSEMBLY, 4 CIRCUIT, W/O DRAIN HOLES, UNIVERSAL MATE-N-LOK™ SIZE CAGE CODE DRAWING NO. RESTRICTED TO A1 00779 C=1586163 SCALE 5:1 SHEET 1 OF 1 REV 0

