

THIS DRAWING IS UNPUBLISHED.

RELEASED FOR PUBLICATION

© COPYRIGHT 2020 TE Connectivity Ltd.

ALL RIGHTS RESERVED.

REVISIONS

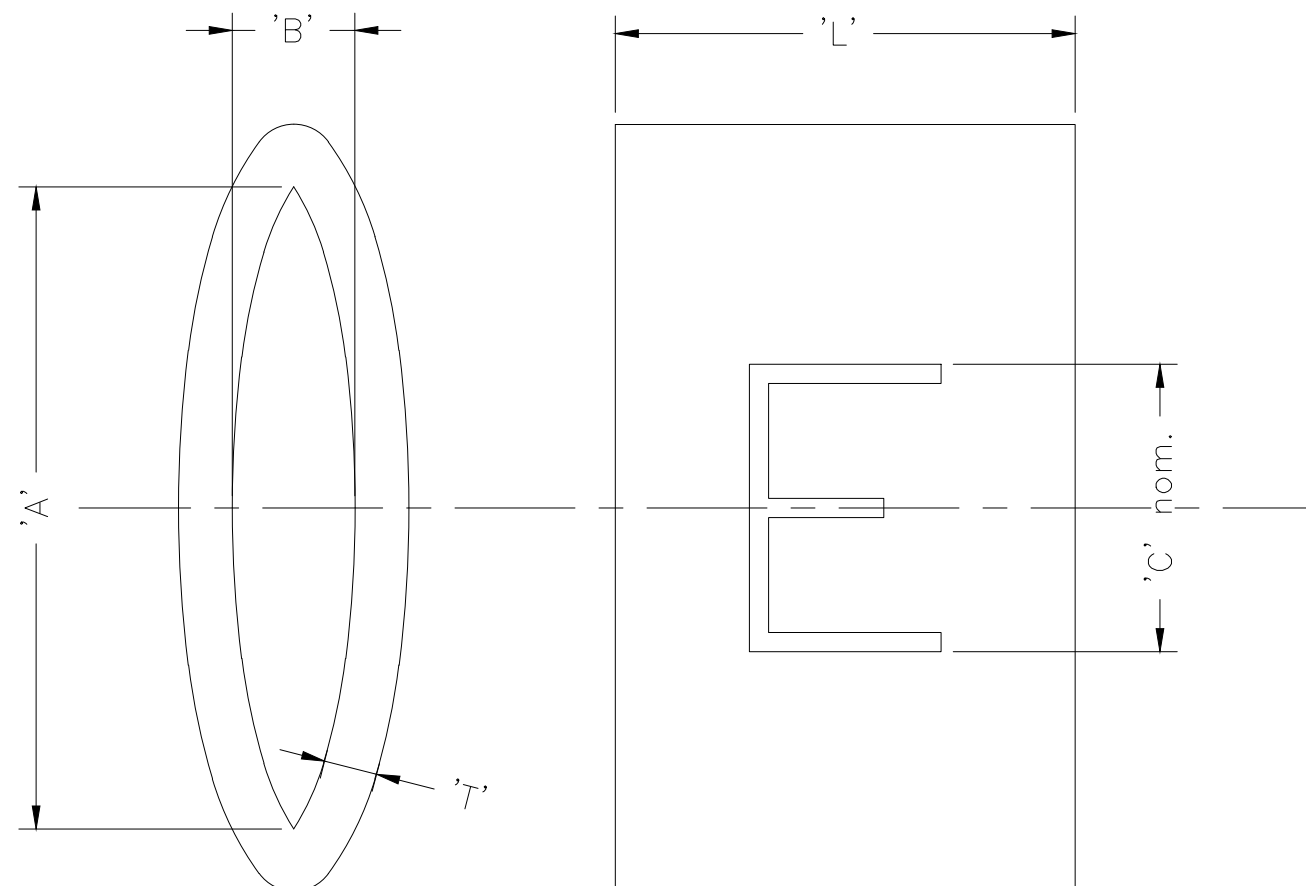
P	LTR	DESCRIPTION	DATE	DWN	APVD
	9	INITIAL CUSTOMER DRAWING	10FEB2020	AFK	LS

NOTES:-


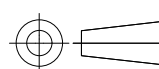
1. CHARACTERS:-

0-9, A-Z, +, -, /, ~ & ±

0, 1, 6 & 9 ARE FOLLOWED BY A FULL STOP
 TOLERANCE (AXIAL) ±0.75
 (ROTATIONAL) ±5°



DESCRIPTION (1st 4 DIGITS)	SIZE	"A"	"B"	CHARACTER HEIGHT "C"	"L"	"T"	WEIGHT / 250mm
1358	30	4.95 - 5.25	1.30 - 1.60	2.4	4.25 - 4.75	0.68 - 0.78	2.94 - 3.24
1361	65	9.90 - 10.2	2.90 - 3.20	4.0	5.50 - 6.00	1.18 - 1.28	9.57 - 10.57

THIS DRAWING IS A CONTROLLED DOCUMENT.		DWN AFK	07FEB2020	 TE Connectivity			
DIMENSIONS: mm		CHK -	APVD -				
		TOLERANCES UNLESS OTHERWISE SPECIFIED:		PRODUCT SPEC			
MATERIAL PVC		FINISH -		APPLICATION SPEC			
				RW-2535			
				MARKER, K TYPE			
				SIZE	CAGE CODE	DRAWING NO	RESTRICTED TO
				WEIGHT SEE TABLE	A30198G	C-1602A0001	-
				CUSTOMER DRAWING		SCALE -	SHEET 1 OF 1
						REV 9	