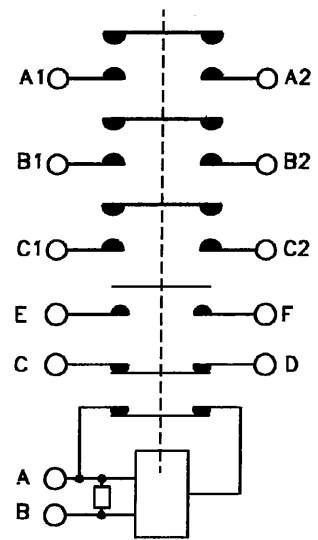
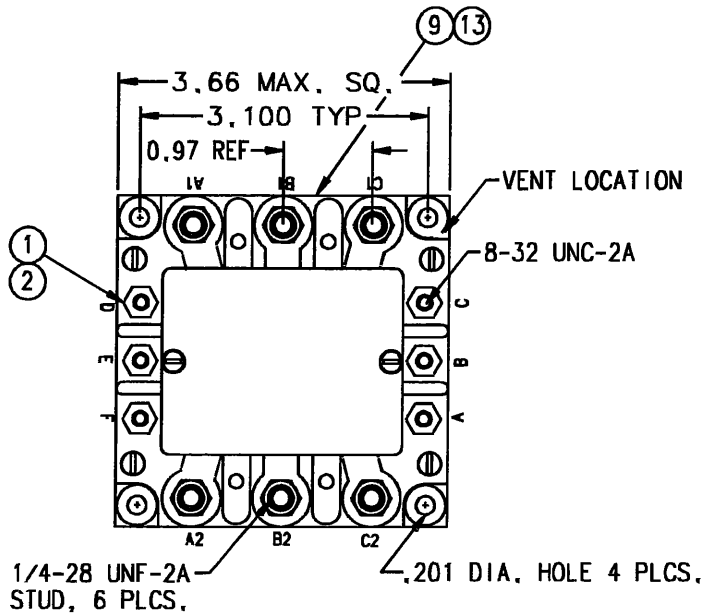
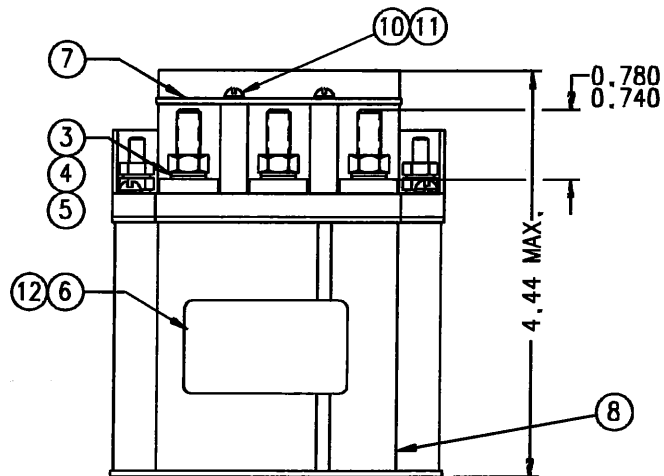


REVISIONS		RELEASED	DATE	APPROVED
REV	DESCRIPTION			
D 37976	CHANGED ITEMS 1-5 TO HARTMAN P/N'S		98-11-24	RS
E 38166	ITEM 12 ADDED, ITEM 6 P/N WAS #D002001		99/01/05	RS
F 38282	ITEM 9 WAS #D002002, ITEM 13 ADDED		99/01/22	RS
G 0368-03	VENT LOCATION WAS OPTIONAL		03/04/29	RS
H 0668-03	.780/.740 WAS .760/.740		03/07/31	CC



<b>CONSTRUCTION</b>	GASKET SEALED AND VENTED
<b>MAIN CONTACTS</b>	
CONFIGURATION	3PST N.O. DOUBLE BREAK
VOLTAGE (NOMINAL)	440 VRMS 60/400 HERTZ
<b>CURRENT RESISTIVE</b>	120 AMPS
<b>INDUCTIVE</b>	120 AMPS
<b>MOTOR</b>	120 AMPS
<b>AUXILIARY CONTACTS</b>	
CONFIGURATION	2PDT
VOLTAGE	28 VDC OR 115/230 VAC 60/400 HERTZ
CURRENT RESISTIVE	25 AMPS
CURRENT INDUCTIVE	25 AMPS
<b>COIL DATA</b>	
DUTY CYCLE	CONTINUOUS (ECONOMIZING)
NOMINAL VOLTAGE	28 VDC
MAX. VOLTAGE	32 VDC
PICKUP VOLTAGE	18 VDC MAX
DROPOUT VOLTAGE	7.0 VDC MAX
COIL RESISTANCE	12 OHMS ±20% PICKUP 60 OHMS ±20% HOLD
<b>OPERATE TIMES</b>	
PICK UP	30 mSEC. MAX. µB VDC
DROP OUT	50 mSEC. MAX. µB VDC
<b>ENVIRONMENTAL</b>	
OPERATING TEMPERATURE	-65°F TO +160°F
NON-OPERATING	-62°F TO +71°F
ALTITUDE OPERATING	10,000 FEET
VIBRATION	10 - 55 Hz .06DA.
SHOCK	25 G'S HALF SINE, 6 - 9 mSEC DURATION
LIFE ELECTRICAL	50,000 CYCLES MINIMUM
WEIGHT	3.0 POUNDS MAXIMUM



FIND NO	QTY REQD	PART OR IDENTIFYING NO	NOMENCLATURE OR DESCRIPTION	CAGE NO	DRAWING OR SPECIFICATION	MATERIAL OR NOTE
13	1	39529-009	OVERLAY			
12	1	39529-001	OVERLAY			
11	4	L4SPL0S0	LOCKWASHER #4 SPLIT			
10	4	S4037BS0	SCREW 4-40 X 3/8			
9	1	44B34-001	WIRING DIAGRAM			
8	1	SA136010	PRIMARY ASSEMBLY			
7	2	TS025001	TERMINAL SHIELD			
6	1	16043-001	NAME PLATE			
5	6	51703-064	WASHER 1/2 X 17/64 X .032			BRASS
4	6	51807-034	LOCKWASHER 1/4 SPLIT			BRONZE
3	6	50407-074	NUT 1/4-28 X 3/8 X 3/16			BRASS
2	6	51808-064	LOCKWASHER #8 SPLIT			BRONZE
1	6	50408-014	NUT 8-32 X 1/4 X 3/32			BRASS

NOTE: ITEM 7 REMOVED IN TOP VIEW FOR CLARITY

UNLESS OTHERWISE SPECIFIED DIMENSIONS ARE IN INCHES TOLERANCES ON

2 PL DEC.	3 PL DEC.	ANGLES
± .06	± .010	± 1°

MATERIAL

DR BY	CSC	03/08/19
CHK BY	CC	03/08/20
ENGR	ES2	03/08/21
MFG	1/1	03-08-22
SIZE	C	
CODE IDENT	74063	
SCALE	NONE	SHEET

**tyco Electronics**  
Hartman Division • 175 N. DIAMOND STREET WANSFELD, OHIO 44802

CONTACTOR - 3PST N.O.  
120 AMP 440 VAC 60/400 HZ 093

DWG NO. SA136  
REF TYCO P/N 0-1616021-5