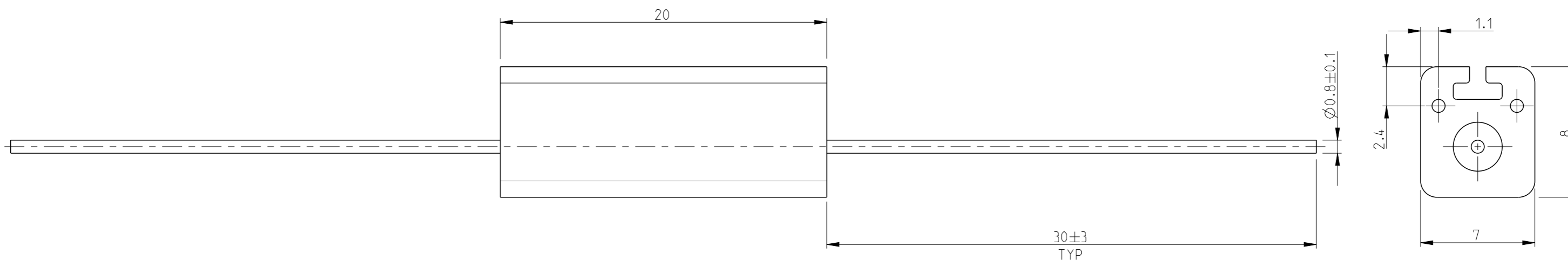


REVISIONS

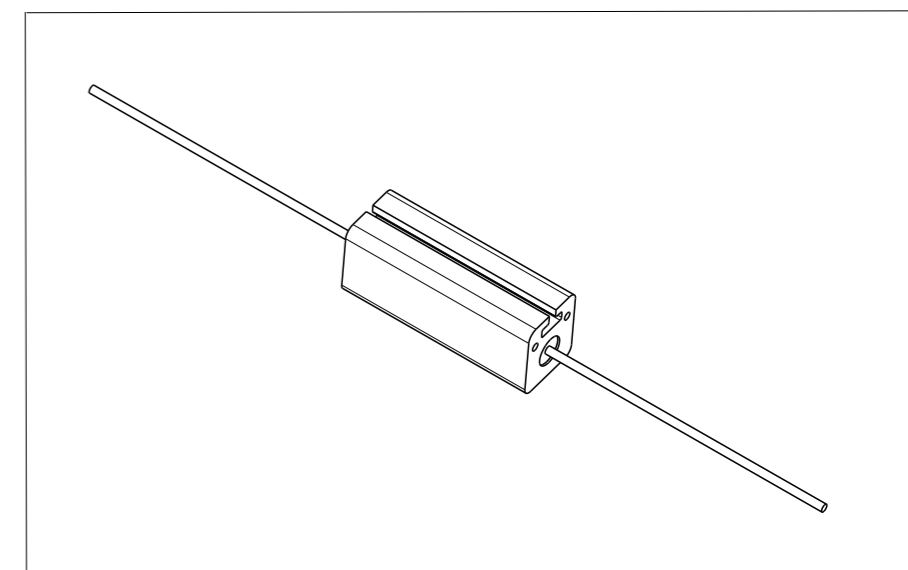
P	LTR	DESCRIPTION	DATE	DWN	APVD
	BA	NEW RELEASE	26JULY2010	PT	St.P
	BA1	CLARIFICATION NOTE ADDED	18APR2022	DM	AP



NOTES:

- FOR FURTHER INFORMATION SEE DATA SHEET FOR SERIES TYPE SBC(SQUARE CERAMIC), HIGH POWER RESISTORS
- THE HOLES AND FLUTES SHOWN IN THE CERAMIC CASING ARE PURELY FOR MOUNTING PURPOSES AND DO NOT IN ANY WAY AFFECT THE DISSIPATION CAPABILITIES OF THE RESISTOR. THEY CAN OFTEN BECOME BLOCKED DURING THE MANUFACTURING PROCESS. THIS WILL NOT AFFECT THE PERFORMANCE IN ANY WAY.

RoHS Compliant



THIS DRAWING IS A CONTROLLED DOCUMENT.		DWN 26JULY2010 PARUSURAM.T			
		CHK 26JULY2010 STEPHEN.P			
DIMENSIONS: mm		APVD 26JULY2010 STEPHEN.P	NAME HIGH POWER RESISTOR TYPE SBC (SQUARE CERAMIC) SERIES SBCH 4		
		PRODUCT SPEC -	RESTRICTED TO -		
TOLERANCES UNLESS OTHERWISE SPECIFIED:		APPLICATION SPEC -	SIZE A3	CAGE CODE 00779	DRAWING NO C=1623724
0 PLC ±0.2		WEIGHT 2.2g	SCALE 4:1		
1 PLC ±0.1		CUSTOMER DRAWING	SHEET 1 OF 1		
2 PLC ±			REV BA1		
3 PLC ±					
4 PLC ±					
ANGLES ±5°					
MATERIAL -					
FINISH -					