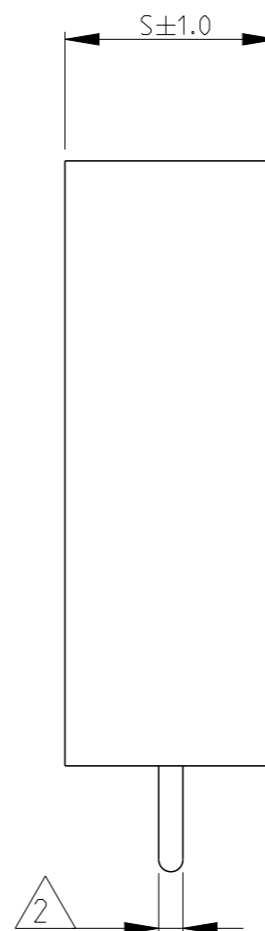
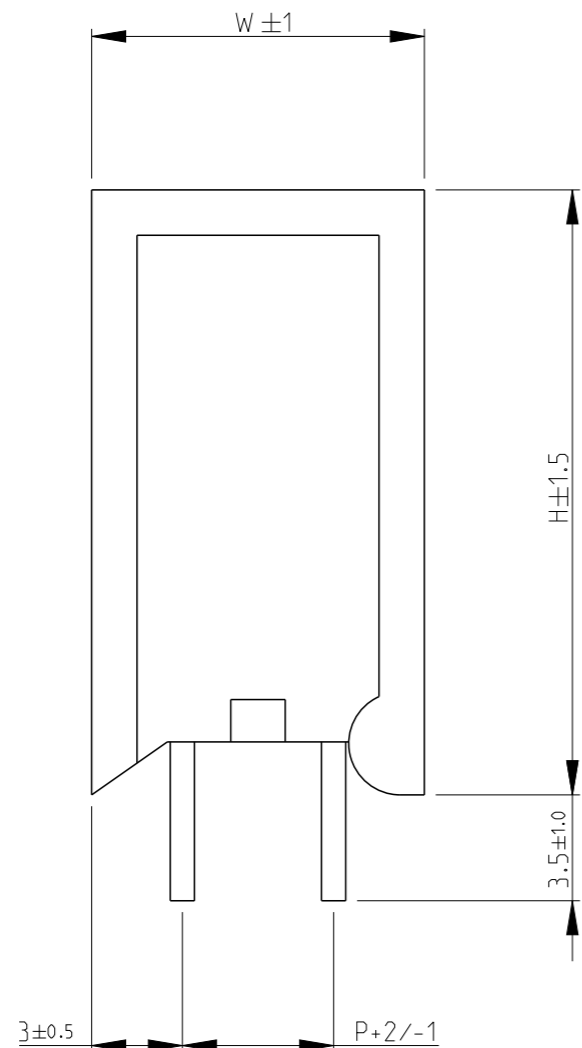


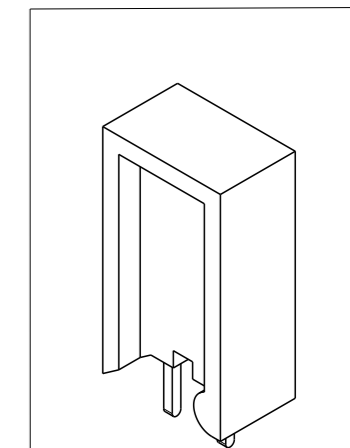
REVISIONS

P	LTR	DESCRIPTION	DATE	DWN	APVD
	BB	ECR-11-016776	12AUG2011	PSK	JC
	BB1	ECR-20-017385	08DEC2020	SB	AP

- FOR FURTHER INFORMATION SEE DATA SHEET FOR SQ SERIES HIGH POWER RESISTOR
- 0.8±0.1 FOR 3W, 10W AND 0.65±0.1 FOR 2W



5	9	52	13	10W
5	8	25	12	3W
5	7	20	11	2W
$P+2/-1$	$S \pm 1$	$H \pm 1.5$	$W \pm 1$	POWER RATING
DIMENSIONS				



RoHS Compliant

THIS DRAWING IS A CONTROLLED DOCUMENT.

DWN 12OCT2010  
PARUSURAM.T

CHK 12OCT2010  
ALLAN.P

APVD 12OCT2010  
STEPHEN.P

PRODUCT SPEC

APPLICATION SPEC

WEIGHT -

CUSTOMER DRAWING



TE Connectivity

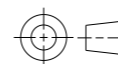
NAME  
HIGH POWER RESISTORS  
SERIES SQM

SIZE CAGE CODE DRAWING NO RESTRICTED TO

A3 00779 C-1623781

SCALE 1:1 SHEET 1 OF 1 REV BB1

DIMENSIONS:  
mm



TOLERANCES UNLESS OTHERWISE SPECIFIED:

0 PLC ±0.2  
1 PLC ±0.1  
2 PLC ±  
3 PLC ±  
4 PLC ±  
ANGLES ±5°

MATERIAL FINISH