

4

3

2

1

THIS DRAWING IS UNPUBLISHED.

RELEASED FOR PUBLICATION

2009

© COPYRIGHT 2009

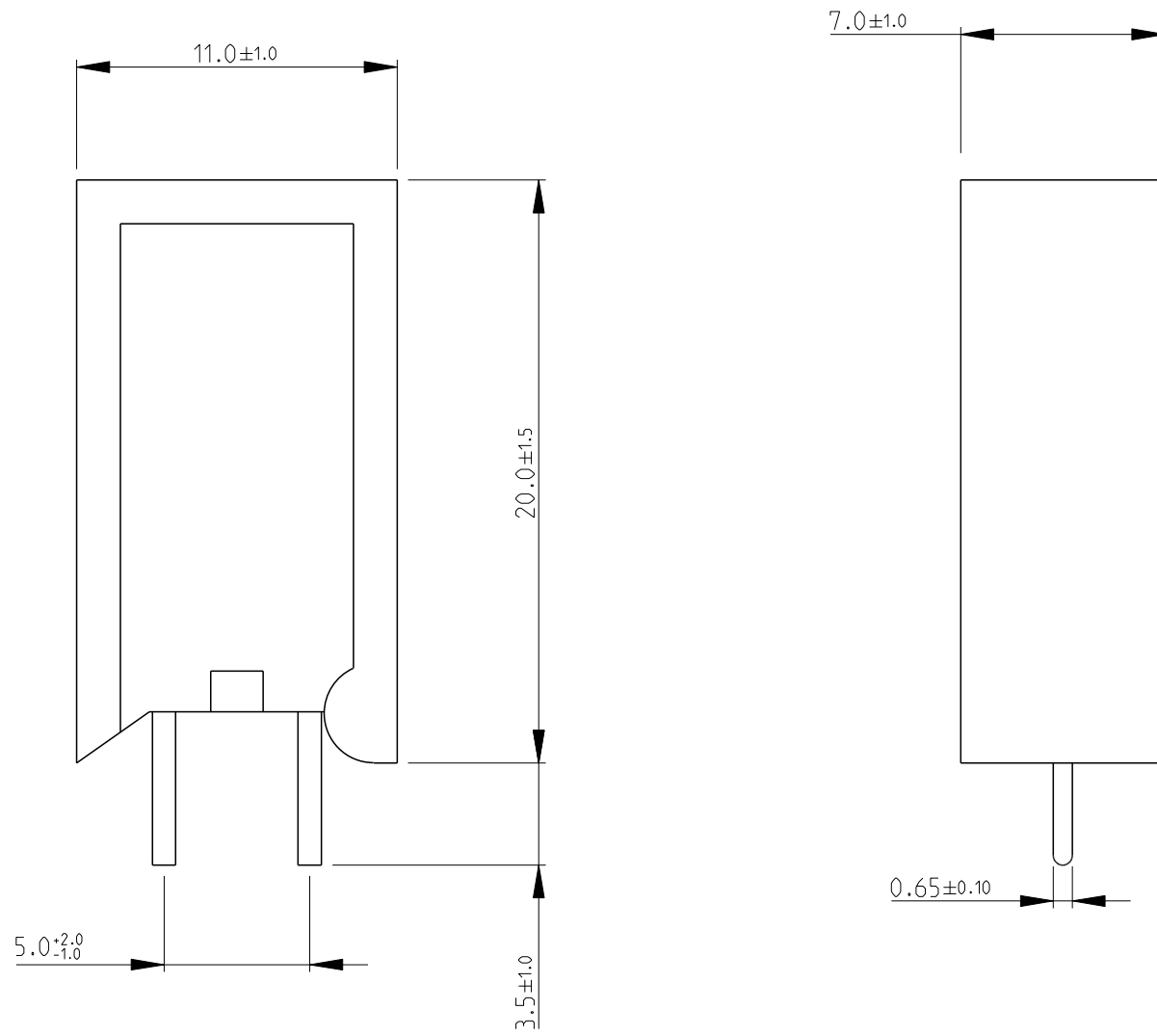
ALL RIGHTS RESERVED.

LOC
E

DIST
B

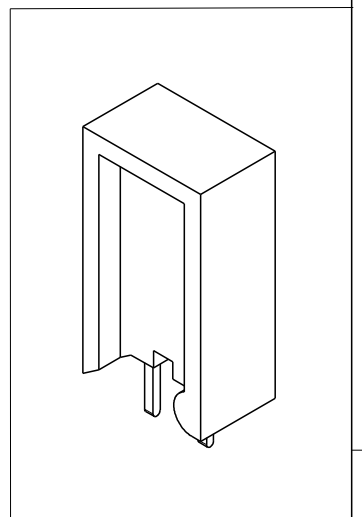
REVISIONS

P	LTR	DESCRIPTION	DATE	DWN	APVD
	BB	ECR-11-016776	13AUG2011	PSK	JC



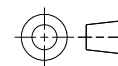
FOR FURTHER INFORMATION SEE DATA SHEET FOR HIGH POWER RESISTORS OF SQ SERIES

RoHS Compliant



THIS DRAWING IS A CONTROLLED DOCUMENT.

DIMENSIONS:
mm



TOLERANCES UNLESS OTHERWISE SPECIFIED:

0 PLC	±0.2
1 PLC	±0.1
2 PLC	±
3 PLC	±
4 PLC	±
ANGLES	±5°
FINISH	-

MATERIAL

-

DWN 12OCT2010

PARUSURAM.T

CHK 12OCT2010

ALLAN.P

APVD 12OCT2010

STEPHEN.P

PRODUCT SPEC

-

APPLICATION SPEC

-

WEIGHT

NAME
HIGH POWER RESISTORS
SERIES SQM2

SIZE CAGE CODE DRAWING NO RESTRICTED TO

A3 00779 C-1623786 -

CUSTOMER DRAWING

SCALE 1:1

SHEET 1 OF 1

REV BB

