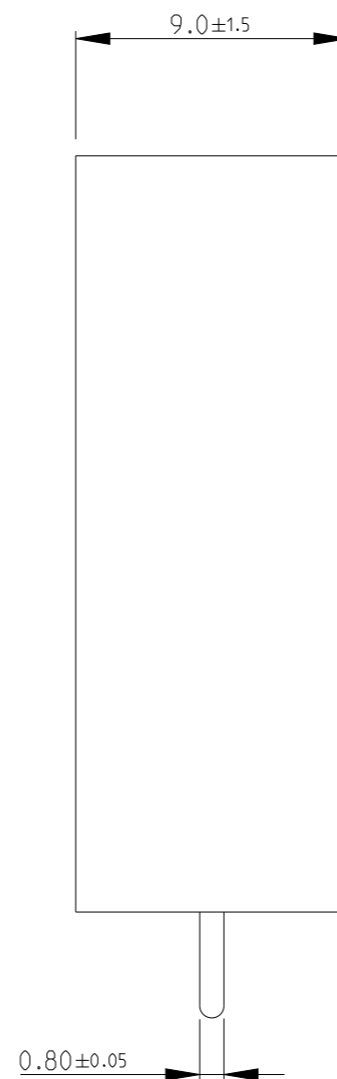
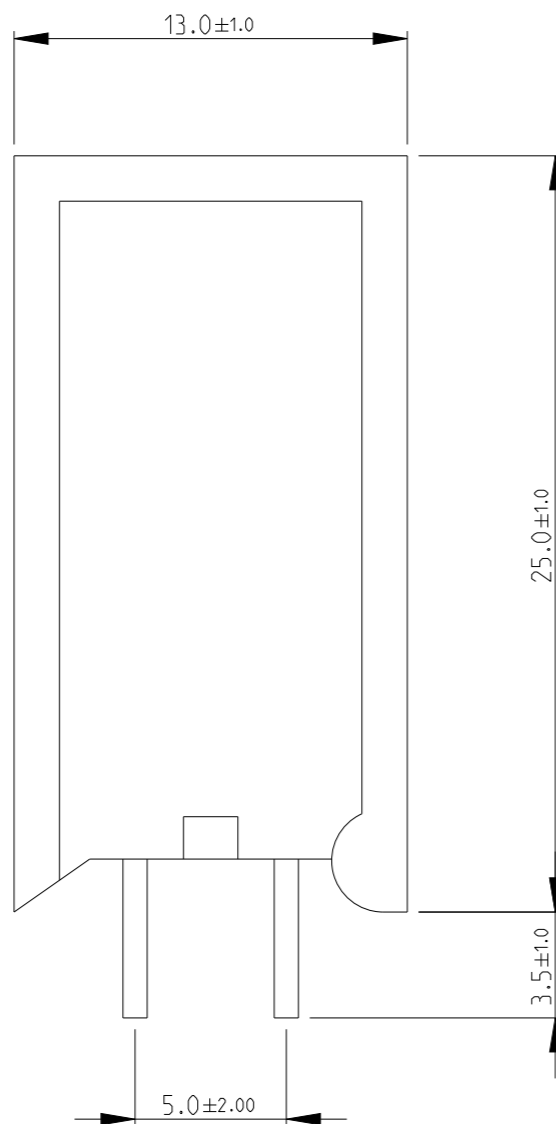


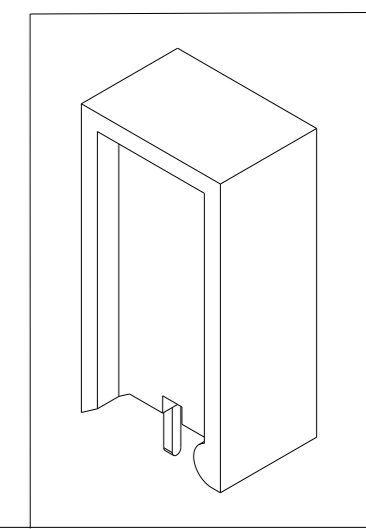
REVISIONS


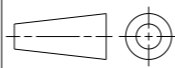
P	LTR	DESCRIPTION	DATE	DWN	APVD
	BA	NEW RELEASE	12OCT2010	PT	St.P
	BB	ECR-11-016776	13AUG2011	PSK	JC
	BB1	NEW PRODUCT INTRODUCTION	14 JUN2022	DM	AP
	BB2	NEW PN ADDED TO SCHEDULE	14SEP2023	DM	AP

FOR FURTHER INFORMATION SEE DATA SHEET FOR HIGH POWER RESISTORS OF SQ SERIES



RoHS Compliant


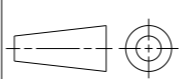


THIS DRAWING IS A CONTROLLED DOCUMENT.		DWN 12OCT2010 PARUSURAM.T	 TE Connectivity		
DIMENSIONS: mm		CHK 12OCT2010 ALLAN.P			
TOLERANCES UNLESS OTHERWISE SPECIFIED:		APVD 12OCT2010 STEPHEN.P	NAME HIGH POWER RESISTORS TYPE SQM5 SERIES		
		PRODUCT SPEC -	RESTRICTED TO -		
0 PLC ±0.2 1 PLC ±0.1 2 PLC ± 3 PLC ± 4 PLC ± ANGLES ±5°		APPLICATION SPEC -	SIZE A3	CAGE CODE 00779	DRAWING NO C-1623788
MATERIAL -		WEIGHT -	SCALE 4:1 SHEET 1 OF 2 REV BB2		
-		CUSTOMER DRAWING			

REVISIONS

P	LTR	DESCRIPTION	DATE	DWN	APVD
	-	SEE SHEET 1	-	-	-

SCHEDULE			
TCPN	CATALOGUE NUMBER	PART DESCRIPTION	PART STATUS
1623788-1	SQMW 5100RJ	SQM5 100R 5% (WIRE)	PRODUCTION
1623788-2	SQMW 510RJ	SQM5 10R 5% (WIRE)	PRODUCTION
1623788-3	SQMW 5120RJ	SQM5 120R 5% (WIRE)	PRODUCTION
1623788-4	SQMW 512RJ	SQM5 12R 5% (WIRE)	PRODUCTION
1623788-5	SQMW 5130RJ	SQM5 130R 5% (WIRE)	PRODUCTION
1623788-6	SQMW 5150RJ	SQM5 150R 5% (WIRE)	PRODUCTION
1623788-7	SQMW 515RJ	SQM5 15R 5% (WIRE)	PRODUCTION
1623788-8	SQMW 518RJ	SQM5 18R 5% (WIRE)	PRODUCTION
1623788-9	SQMW 51R0J	SQM5 1R0 5% (WIRE)	PRODUCTION
1-1623788-0	SQMW 522RJ	SQM5 22R 5% (WIRE)	PRODUCTION
1-1623788-1	SQMW 527RJ	SQM5 27R 5% (WIRE)	PRODUCTION
1-1623788-2	SQMW 52R2J	SQM5 2R2 5% (WIRE)	PRODUCTION
1-1623788-3	SQMW 533RJ	SQM5 33R 5% (WIRE)	PRODUCTION
1-1623788-4	SQMW 53R3J	SQM5 3R3 5% (WIRE)	PRODUCTION
1-1623788-5	SQMW 547RJ	SQM5 47R 5% (WIRE)	PRODUCTION
1-1623788-6	SQMW 54R7J	SQM5 4R7 5% (WIRE)	PRODUCTION
1-1623788-7	SQMW 568RJ	SQM5 68R 5% (WIRE)	PRODUCTION
1-1623788-8	SQMW 56R8J	SQM5 6R8 5% (WIRE)	PRODUCTION
1-1623788-9	SQMW 582RJ	SQM5 82R 5% (WIRE)	PRODUCTION
2-1623788-0	SQMW 58R2J	SQM5 8R2 5% (WIRE)	PRODUCTION
2-1623788-1	SQMW 5R10J	SQM5 R10 5% (WIRE)	PRODUCTION
2-1623788-2	SQMW 5R15J	SQM5 R15 5% (WIRE)	PRODUCTION
2-1623788-3	SQMW 5R18J	SQM5 R18 5% (WIRE)	PRODUCTION
2-1623788-4	SQMW 5R20J	SQM5 R20 5% (WIRE)	PRODUCTION
2-1623788-5	SQMW 5R22J	SQM5 R22 5% (WIRE)	PRODUCTION
2-1623788-6	SQMW 5R27J	SQM5 R27 5% (WIRE)	PRODUCTION
2-1623788-7	SQMW 5R33J	SQM5 R33 5% (WIRE)	PRODUCTION
2-1623788-8	SQMW 5R39J	SQM5 R39 5% (WIRE)	PRODUCTION
2-1623788-9	SQMW 5R47J	SQM5 R47 5% (WIRE)	PRODUCTION
3-1623788-0	SQMW 5R68J	SQM5 R68 5% (WIRE)	PRODUCTION
3-1623788-1	SQMW 5R05J	SQM5 R05 5% (WIRE)	PRODUCTION
3-1623788-2	SQMW 556RJ	SQM5 56R 5% (WIRE)	PRODUCTION
3-1623788-3	SQMW 5180RJ	SQM5 180R 5% (WIRE)	PRODUCTION
3-1623788-4	SQMW 539RJ	SQM5 39R 5% (WIRE)	PRODUCTION
3-1623788-5	SQMW 5R82J	SQM5 R82 5% (WIRE)	PRODUCTION
3-1623788-6	SQMW 51R8J	SQM5 1R8 5% (WIRE)	PRODUCTION
3-1623788-7	SQMW 5R75J	SQM5 R75 5% (WIRE)	PRODUCTION
3-1623788-8	SQMR5100KJ	SQM5 100K 5% (METAL FILM)	PRODUCTION
3-1623788-9	SQMW 51R0JTUBE	SQM5 1R0 5% (WIRE) TUBE	PRODUCTION

THIS DRAWING IS A CONTROLLED DOCUMENT.		DWN PARUSURAM.T 12OCT2010	 TE Connectivity	
DIMENSIONS: mm		CHK ALLAN.P 12OCT2010		
TOLERANCES UNLESS OTHERWISE SPECIFIED:		APVD STEPHEN.P 12OCT2010	NAME HIGH POWER RESISTORS TYPE SQM5 SERIES	
		PRODUCT SPEC -	RESTRICTED TO -	
MATERIAL -		FINISH -	APPLICATION SPEC -	SIZE A3
		WEIGHT -	CAGE CODE 00779	DRAWING NO C-1623788
		CUSTOMER DRAWING	SCALE 4:1	SHEET 2 OF 2
			REV BB2	