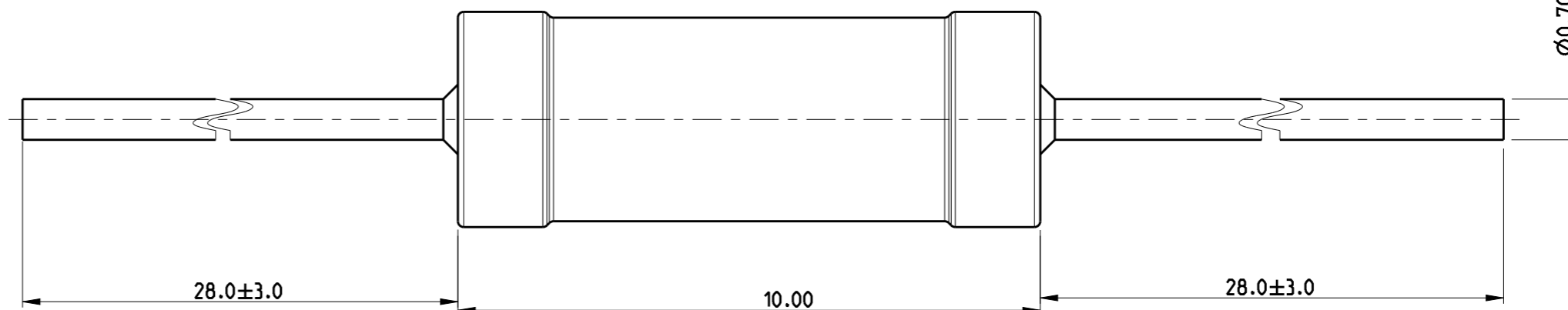
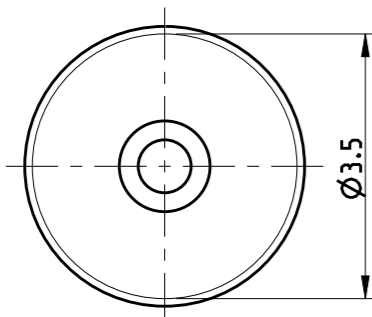


© 2020 TE Connectivity. All Rights Reserved.

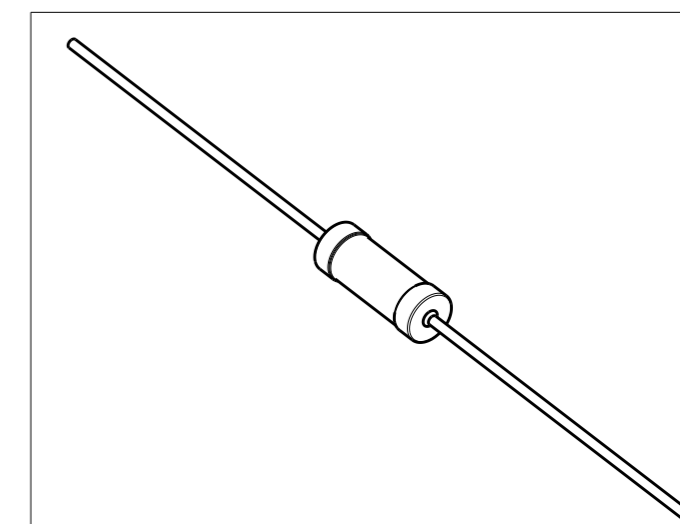
REVISIONS

P	LTR	DESCRIPTION	DATE	DWN	APVD
	BA	NEW RELEASE	27MAY2010	PT	St.P
	BA1	REVISED PER ECR-20-015646	04NOV2020	MHS	AP

FOR FURTHER INFORMATION SEE DATA SHEET FOR SERIES ROX. FLAME-PROOF POWER METAL OXIDE FILM RESISTORS



RoHS Compliant



THIS DRAWING IS A CONTROLLED DOCUMENT.

DIMENSIONS:	TOLERANCES UNLESS OTHERWISE SPECIFIED:	
mm	0 PLC	±0.2
	1 PLC	±0.1
	2 PLC	±
	3 PLC	±
	4 PLC	±
	ANGLES	5°
MATERIAL	FINISH	
-	-	
-	-	

DWN	27MAY2010
CHK	27MAY2010
APVD	27MAY2010
NAME	STEPHEN.P
PRODUCT SPEC	-
APPLICATION SPEC	-
WEIGHT	-
CUSTOMER DRAWING	



FLAME-PROOF POWER METAL OXIDE FILM RESISTORS
SERIES ROX1S

SIZE	CAGE CODE	DRAWING NO	RESTRICTED TO
A3	00779	C-1625884	
SCALE	SHEET	OF	REV
10:1	1	1	BA1