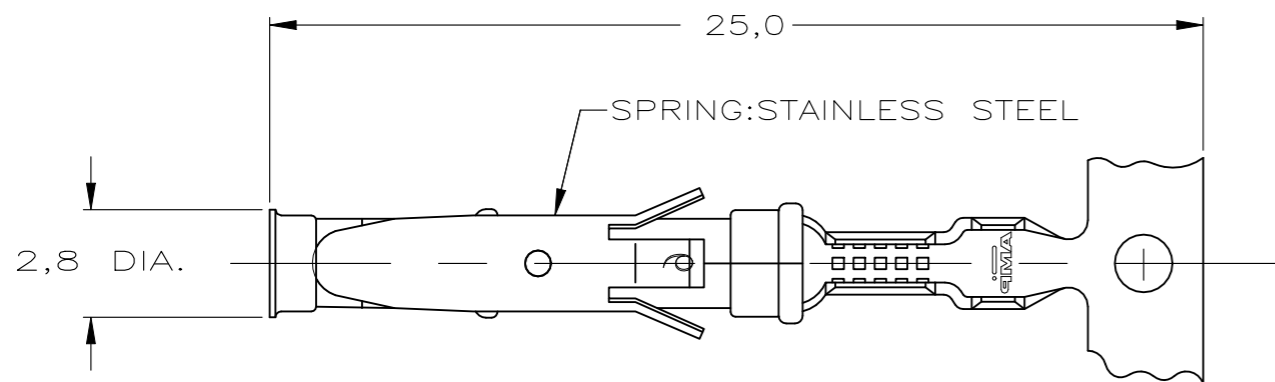
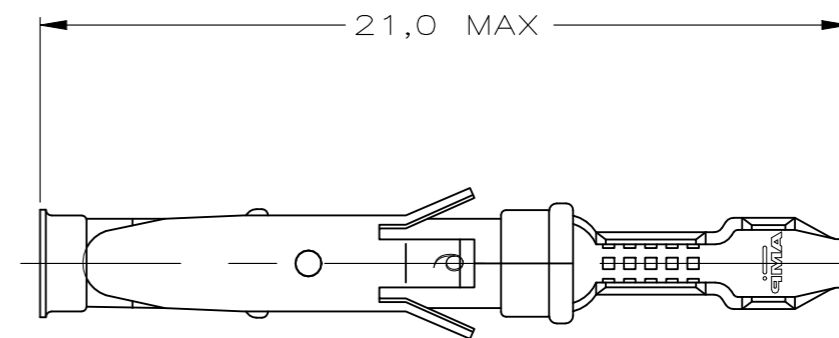


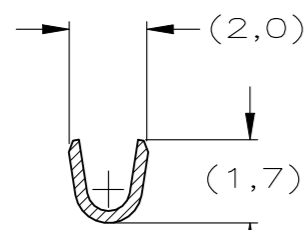
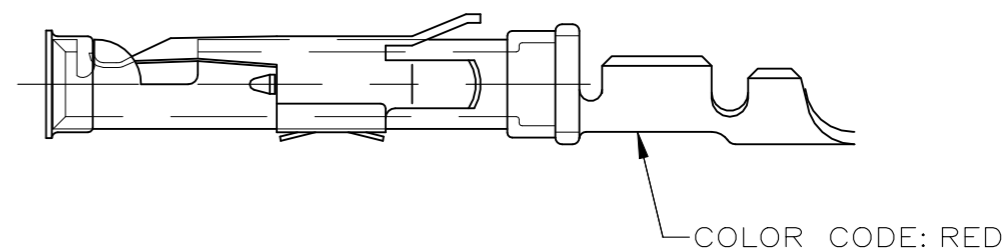
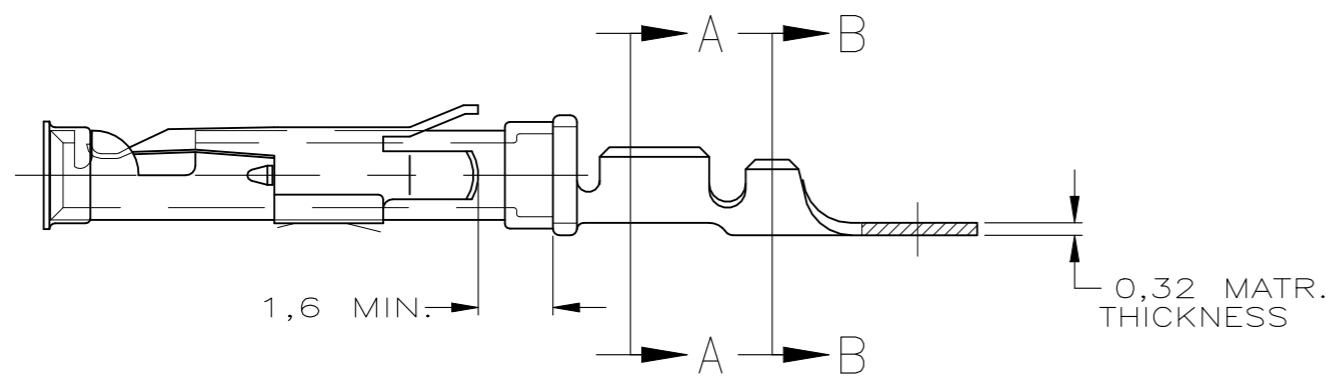
REVISIONS					
P	LTR	DESCRIPTION	DATE	DWN	APVD
Z		REVISED PER ECO-21-006957	25JUN2021	RK	MZ



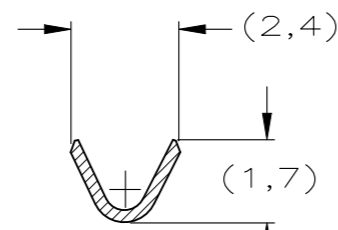
STRIP



LOOSE-PIECE

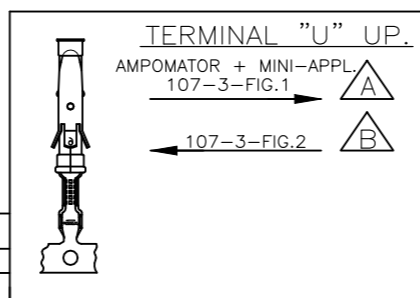


SECTION A-A



SECTION B-B

WIRE RANGE : 0.12-0.20 mm² (26-24 AWG)
 INSUL. RANGE : 0.9 -1.4 mm (.035-.055)



△ OBSOLETE	△ 5	1-163091-3	△ A	△ 5	1-163092-3	BRASS	EL.TIN	△ 31	△ 20
		1-163091-2	△ A		1-163092-2	BRASS	BR.TIN		△ 30
		1-163091-1	△ A			BRASS	ECON.GOLD		△ 21
		1-163091-0	△ B		1-163092-0	BRASS	ECON.GOLD		△ 21
		163091-9	△ A			BRASS	EL.TIN		△ 20
		163091-8	△ A		163092-2	BRASS	SEL.GOLD		△ 22
△ OBSOLETE	△ 1	163091-2	△ B		163092-2	BRASS	SEL.GOLD		△ 22
	△ 1	163091-1	△ B		163092-1	BRASS	EL.TIN		△ 20
		PART NUMBER	DIRECTION OF REEL	LOOSE-PIECE	MATERIAL	PLATING			

- NOTES :
- △ 1 UL RECOGNIZED UNDER E28476 VOL VI SEC I
 - 2 FOR CRIMP DETAILS SEE SPEC. 114-19000
 - 3 MEETS PRODUCT SPECIFICATION 108-10042
 - △ 4 OBSOLETE PARTS: OBSOLETE CIS STREAMLINING PER D.RENAUD/D.SINISI
 - △ 5 OBSOLETE
 - 6 OMISSION OF 6 CONTACTS MAX PER REEL OF 5000PCS

NOTES	MATERIAL	THICKNESS	AREA
△ 20	TIN	2.0 μm	ALL OVER
△ 21	NICKEL GOLD TIN	.76 μm 1.01 μm	ALL OVER CONTACT AREA BARREL
△ 22	NICKEL GOLD TIN	1.27 μm .76 μm 1.01 μm	ALL OVER CONTACT AREA BARREL
△ 23	NICKEL GOLD	1.2 μm	ALL OVER CONTACT AREA
△ 27	NICKEL SILVER TIN	2.5 μm	ALL OVER CONTACT AREA BARREL
△ 28	SILVER	0.5 μm	ALL OVER
△ 29	SILVER	2.5 μm	ALL OVER
△ 30	NICKEL TIN	1.27 μm 1.27 μm	ALL OVER ALL OVER

THIS DRAWING IS A CONTROLLED DOCUMENT.

DIMENSIONS:	TOLERANCES UNLESS OTHERWISE SPECIFIED:
mm	0 PLC ± -
	1 PLC ± -
	2 PLC ± -
	3 PLC ± -
	4 PLC ± -
	ANGLES ± -
MATERIAL	FINISH
REFER TABLE	REFER TABLE

DWN	L.V.D.HEIJDEN	19.08.87
CHK	P.V.D.HAGEN	20.08.87
APVD	L.V.SOEST	20.08.87
PRODUCT SPEC	108-10042	
APPLICATION SPEC	114-19000	
WEIGHT	A3 00779 C-163091	

STE TE Connectivity

TYPE III+, SIZE 16, SOCKET ASS'Y,
26-24 AWG, 0.9-1.4mm DIA INSULATION

SIZE	CAGE CODE	DRAWING NO	RESTRICTED TO
A3	00779	C-163091	-

CUSTOMER DRAWING SCALE - SHEET 1 OF 1 REV Z