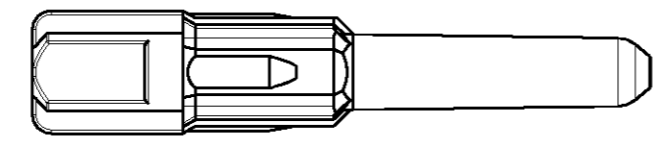
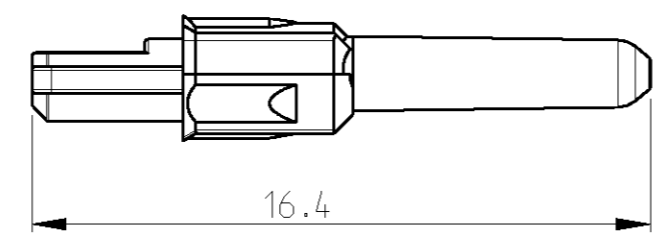
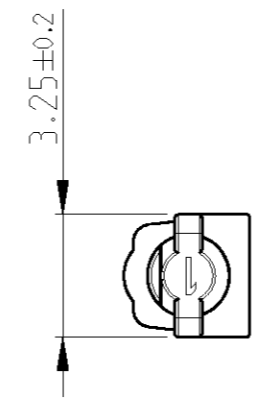
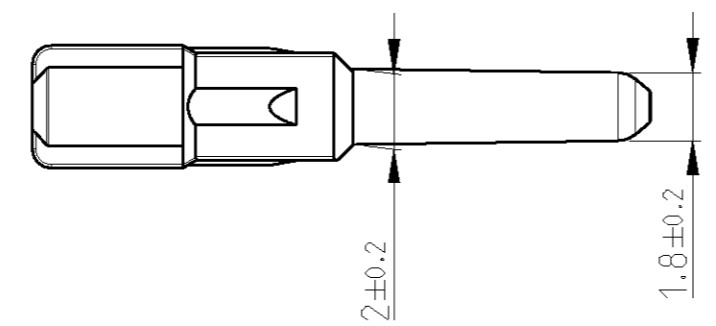
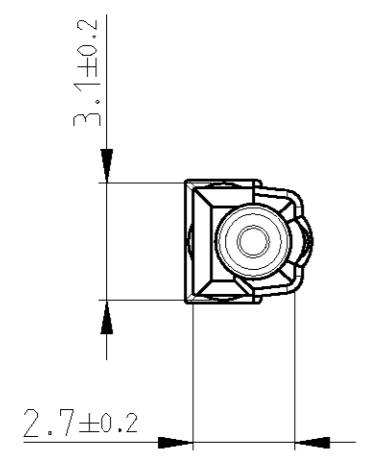


THIS DRAWING IS UNPUBLISHED. RELEASED FOR PUBLICATION 2006
 © COPYRIGHT 2006 BY TYCO ELECTRONICS CORPORATION. ALL RIGHTS RESERVED.

LOC	DIST	REVISIONS					
A1	-	P	LTR	DESCRIPTION	DATE	DWN	APVD
			A	NEW PART, NEW DRAWING	27JUN2006	MK	KR



NOTES:
Bemerkungen:

- 1 PACKAGING: LOOSE PIECE IN CARDBOARD BOX
Verpackung: Teile lose beige stellt in Karton
- 2 MATED WITH:
verwendet mit:

REC. HSG. 32 POS.	0-1719675
REC. HSG. 32 POS.	0-1719682
REC. HSG. 32 POS.	0-1418392
REC. HSG. 32 POS.	0-1670065
REC. HSG. 32 POS.	0-1670066
REC. HSG. 48 POS.	0-1719678
REC. HSG. 48 POS.	0-1719683
REC. HSG. 48 POS.	0-1418416
REC. HSG. 48 POS.	0-1670067
REC. HSG. 48 POS.	0-1670068
REC. HSG. 48 POS.	0-1670069

0-1670108-1	A	PA66	BLIND PLUG	GREY	1
PART NO	REVISION	MATERIAL	DESCRIPTION	COLOUR	ITEM NO

DIMENSIONS:		TOLERANCES UNLESS OTHERWISE SPECIFIED:		tyco Electronics		tyco Electronics AMP GmbH	
mm		0 PLC	±0.3	M.KRESSMANN		64625 Bensheim (Germany)	
		1 PLC	±0.3	K.ROTH		NAME	
		2 PLC	±0.3	27JUN2006		BLIND PLUG 1.5mm	
		3 PLC	±	29JUN2006		-	
		4 PLC	±	-		-	
MATERIAL		FINISH		APVD		RESTRICTED TO	
-		-		-		-	
CUSTOMER DRAWING				PRODUCT SPEC		SIZE	
				APPLICATION SPEC		CAGE CODE	
				WEIGHT		DRAWING NO	
				-		A 3 00779	
				SCALE		REV	
				5:1		A	
				SHEET		OF	
				1		1	