

THIS DRAWING IS UNPUBLISHED.

RELEASED FOR PUBLICATION

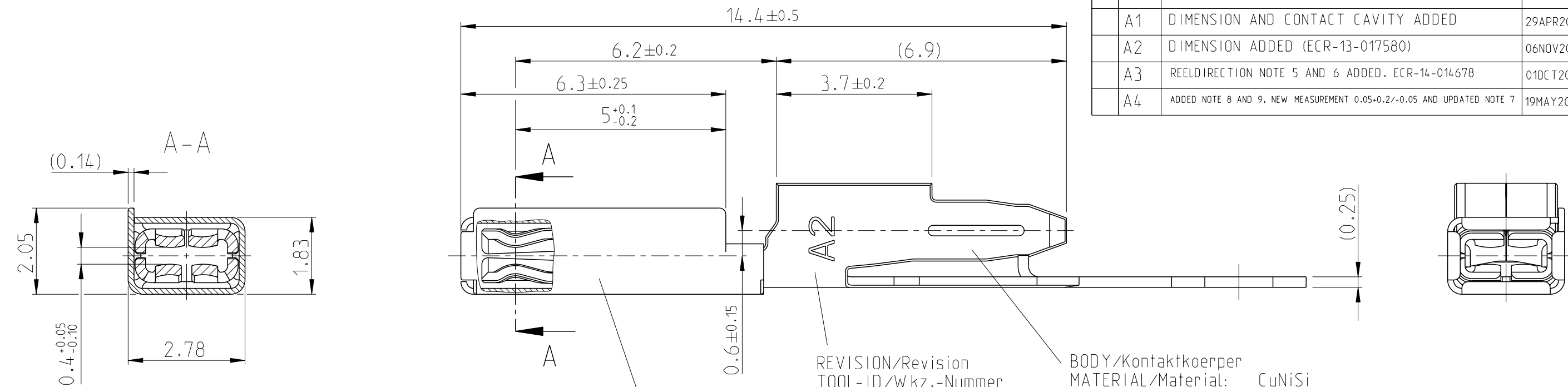
2013

REVISIONS

© COPYRIGHT 2013 Tyco Electronics AMP GmbH

ALL RIGHTS RESERVED.

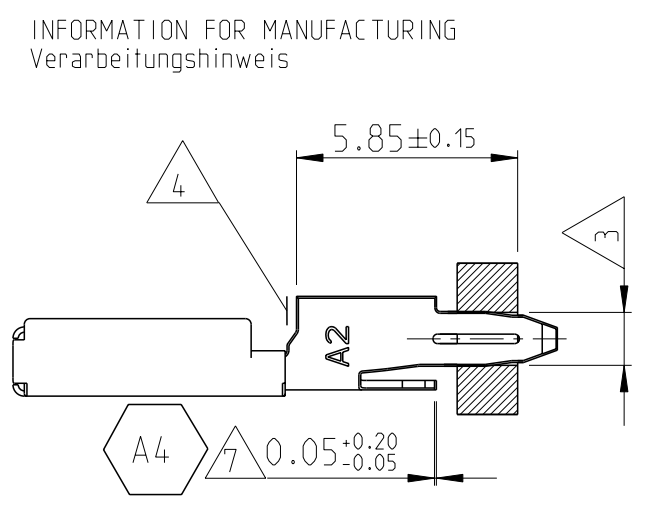
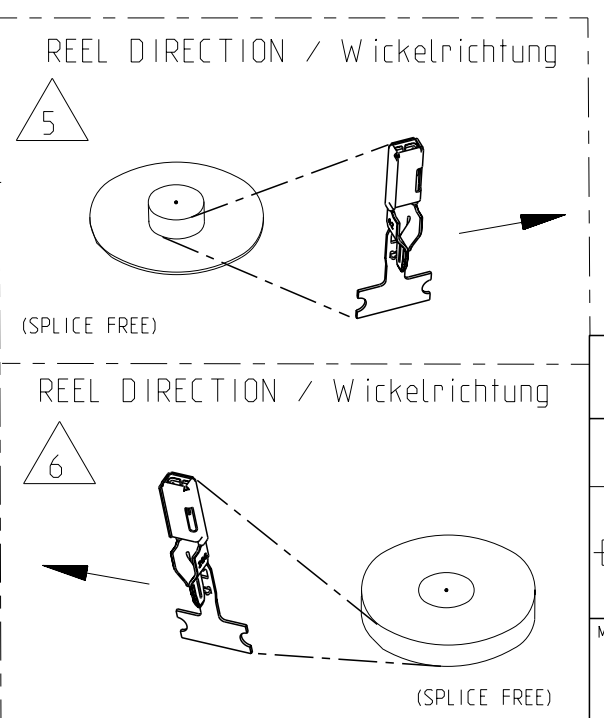
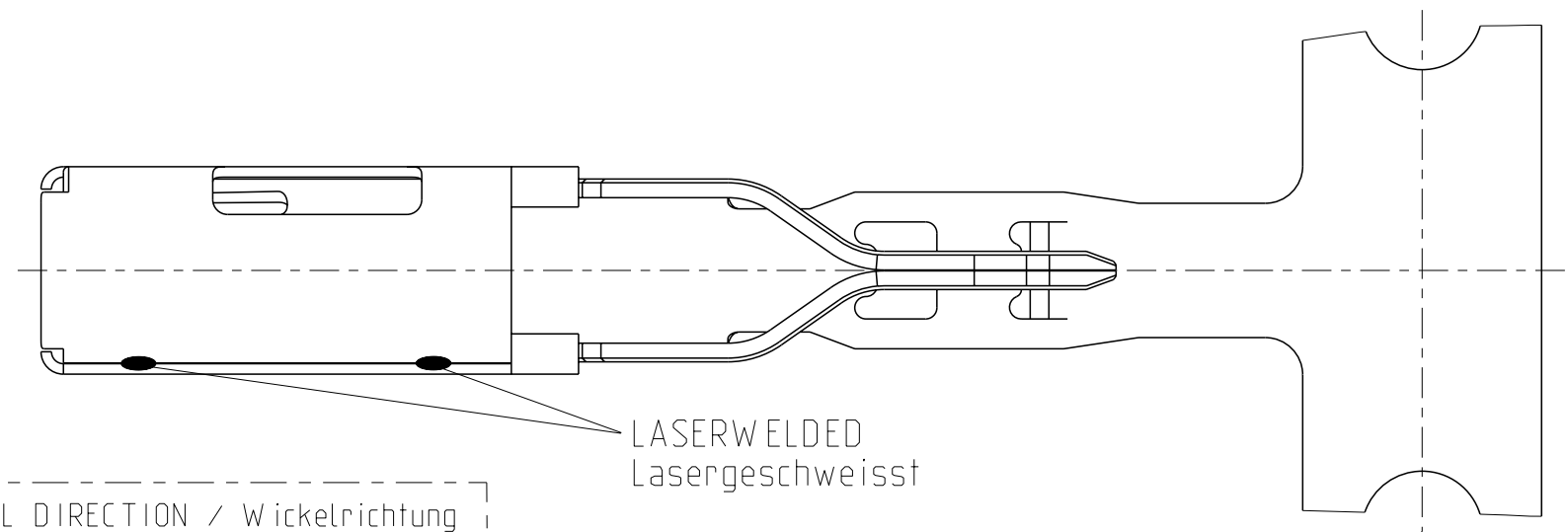
P	LTR	DESCRIPTION	DATE	DWN	APVD
A1		DIMENSION AND CONTACT CAVITY ADDED	29APR2013	Sch	Abr
A2		DIMENSION ADDED (ECR-13-017580)	06NOV2013	Sch	Abr
A3		REEL DIRECTION NOTE 5 AND 6 ADDED. ECR-14-014678	01OCT2014	Sch	Abr
A4		ADDED NOTE 8 AND 9. NEW MEASUREMENT 0.05±0.2/-0.05 AND UPDATED NOTE 7	19MAY2022	FRAN	SCHI



SPRING/Ueberfeder
 MATERIAL/Material: X10CrNi18-8
 SURFACE/Oberflaeche: Blank

BODY/Kontaktkoerper
 MATERIAL/Material: CuNiSi
 SURFACE/Oberflaeche: Galvanisch Ag im Kontaktierungsbereich
 Galvanisch Sn im Stich-Bereich

- NOTES
 Bemerkungen
- ONLY THE GERMAN LANGUAGE VERSION SHALL BE BINDING
 Massgebend ist der deutsche Text
 - DETAILS OF DESIGN ARE LEFT TO MANUFACTURER
 Einzelheiten der Ausfuehrung bleiben dem Hersteller ueberlassen
 - NECESSARY PCB-HOLE: $\varnothing 1.35 \pm 0.05$; 1.6 ± 0.14 THICK
 Notwendiges Leiterplattenloch: $\varnothing 1.35 \pm 0.05$; 1.6 ± 0.14 dick
 - ALLOWED STITCH-AREA
 Zulaessiger Stich-Bereich
 - HORIZONTAL PALLET REEL
 Rundpalette
 - CORRUGATED REEL
 Wellpappe-Spule
 - CUT-OFF DIMENSION
 Mass Vereinzlungsschnitt
 - THE TERMINAL HAVE TO BE SOLDERED ON THE PCB
 Der Kontakt muss auf der Leiterplatte verlötet werden.
 - SUITABLE PIN SEE: 114-18063-1, Typ F
 Passender Stift gemass: 114-18063-1, Typ F



Ag-Sn	0-1670208-2	6	A
Ag-Sn	0-1670208-1	5	A
FINISH	PART NO.		REV.

THIS DRAWING IS A CONTROLLED DOCUMENT.

DWN	08APR2013	 TE Connectivity	NAME MQS 1.5 SOCKET CONTACT FOR PCB MQS 1.5 Buchsenkontakt fuer Leiterplatte		
CHK	10APR2013				
APVD	15APR2013				
PRODUCT SPEC					
APPLICATION SPEC		SIZE	CAGE CODE	DRAWING NO	RESTRICTED TO
WEIGHT	0.26g	A3	00779	C=1670208	-
MATERIAL	-	Customer Drawing	SCALE	10:1	SHEET 1 OF 1
FINISH	-				REV A4

printed on 19 May 2022 12:07 [Mitteleurop from TE220462]