

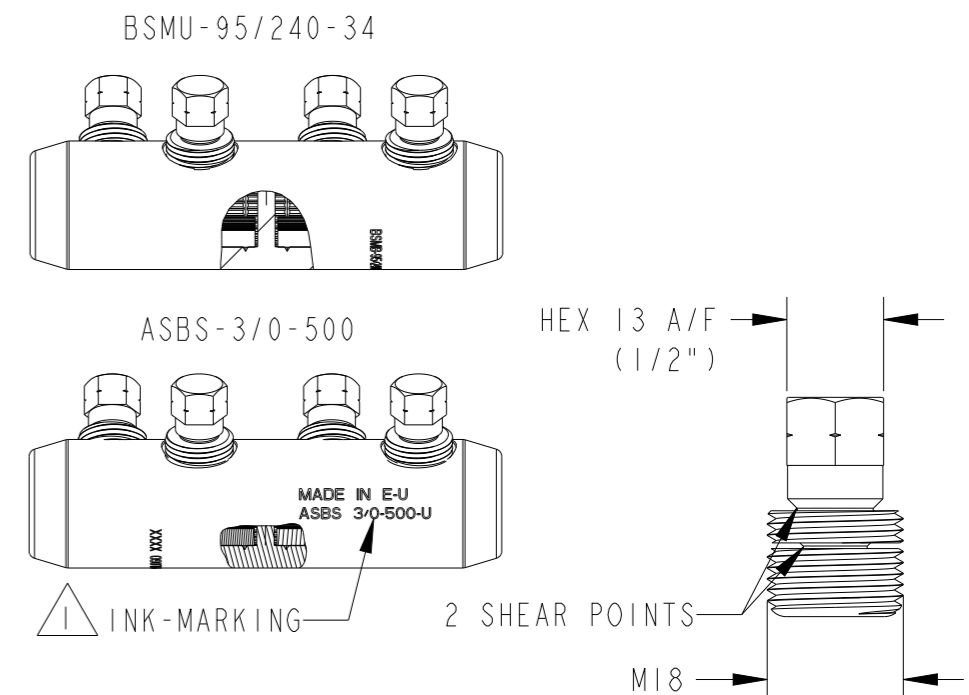
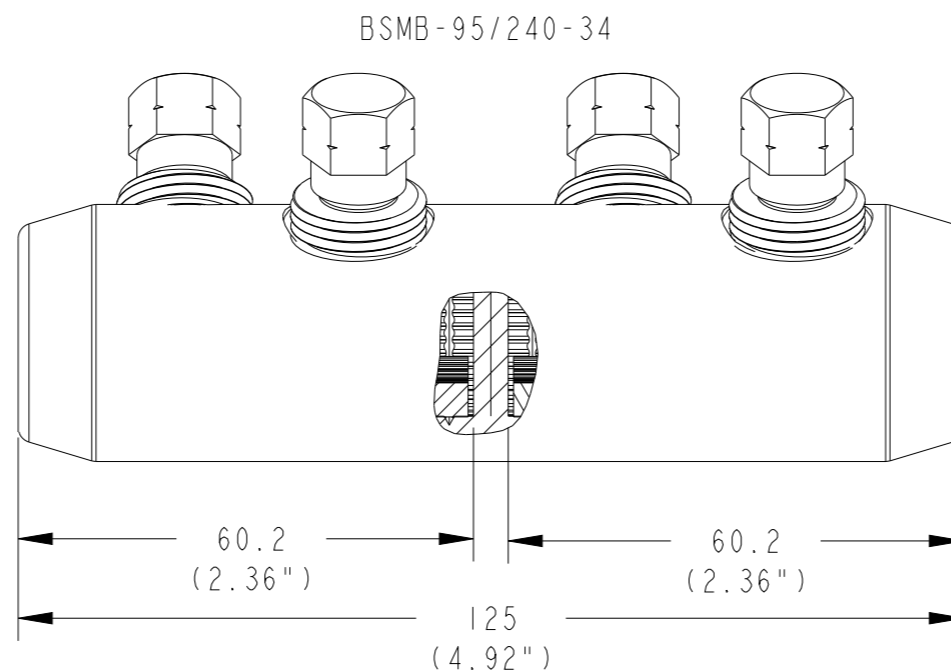
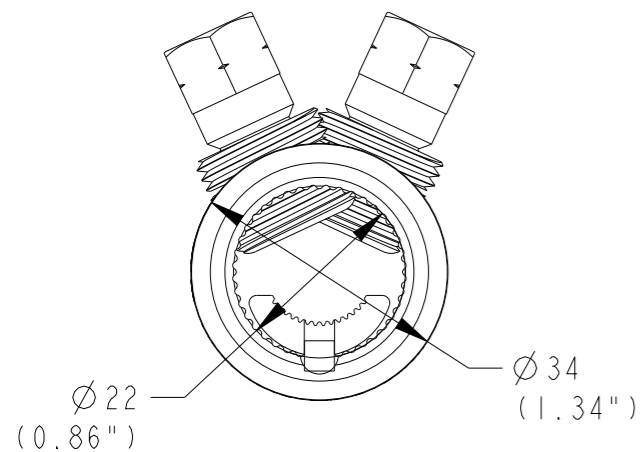
© 2020 TE Connectivity. All Rights Reserved.
DIFFUSION RESTREINTE

LIBRE A LA DIFFUSION
TOUS DROITS RESERVES

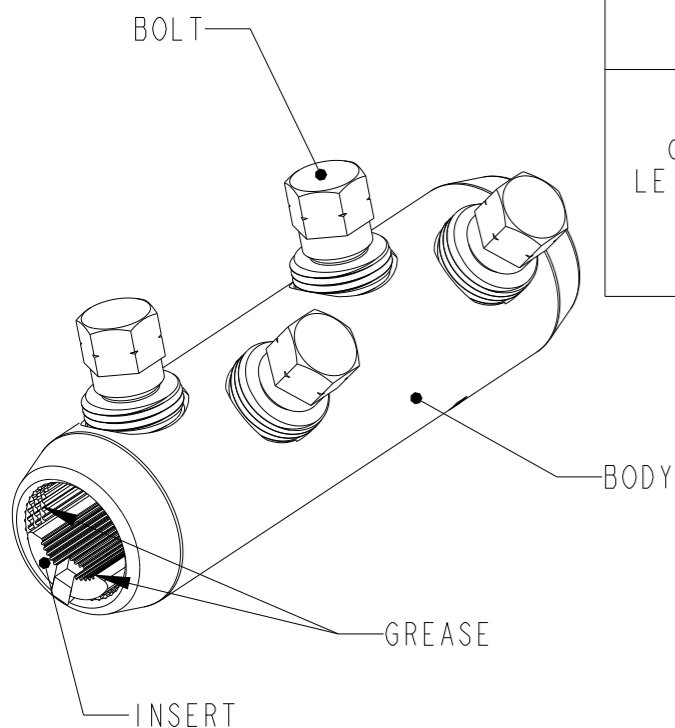
REVISIONS

ASBS-3/0-500	BLOCKED	1701211-3	YES
BSMU-95/240-34	UNBLOCKED	C79354-000	NO
BSMB-95/240-34	BLOCKED	C26220N001	NO
DESCRIPTION	TYPE	TCPN	INK-MARKING

P	LTR REV	DESCRIPTION MODIFICATIONS	DATE	DWN DESS	APVD APP.
	0	CREATION	22APR2004	NA	AD
	A	ADDITIONAL PRODUCTS	14DEC2007	BM	NA
	B	ECR-20-002305 BOLT HEAD REDUCED TO 13	23JAN2020	AS	NA
	C	ECR-22-159568-REMOVED UL LOGO	17NOV2022	MT	NA



		AL				CU		ROUND FLEX
		RM ROUND STRANDED	RE ROUND SOLID	SM SECTOR STRANDED	SE SECTOR SOLID	RM ROUND STRANDED	SM SECTOR STRANDED	
CONDUCTOR CROSS-SECTION QUERSCHNITTSBEREICH	mm ²	95 - 240	95 - 240	95 - 150 185-240 with rounding	95 - 185	95 - 240	95 - 150 185-240 with rounding	185 (Class 5)
		3/0 compact to 500 kcmil standard				3/0 compact to 500 kcmil standard		
CONDUCTOR DIAMETER LEITERDURCHMESSER	mm ²	Ø 11 - Ø 20.8	Ø 10.5 - Ø 18	-	-	Ø 11 - Ø 19.2	-	Ø 18 - Ø 21
		.423" to .813"				.423" to .813"		0.708" to 0.826"



THIS DRAWING IS A CONTROLLED DOCUMENT.
CE PLAN EST UN DOCUMENT CONTROLE PAR TYCO ELECTRONICS CORPORATION
IL EST SUSCEPTIBLE D'ETRE REVISE. POUR OBTENIR LA DERNIERE REVISION,
CONTACTER LE SERVICE TECHNIQUE DE TYCO ELECTRONICS SIMEL SAS,
21220 GEVREY-CHAMBERTIN, FRANCE.

DIMENSIONS: mm	TOLERANCES UNLESS OTHERWISE SPECIFIED: TOLERANCES NON SPECIFIEES (SUIV. NB DE DECIMALES): 0 PLC /DEC± 0 1 PLC /DEC± 0 2 PLC /DEC± 0 3 PLC /DEC± 0 4 PLC /DEC± 0 ANGLES ± -
MATERIAL MATIERE AL ALLOY	FINISH FINITION TINNED

DWN /DESSINE A. SABARAD 23JAN2020	CHK /VERIFIE A. GUICHARD 23JAN2020
APVD /APPROUVE N. ALMEIDA 23JAN2020	PRODUCT SPEC SPEC. PRODUIT
APPLICATION SPEC SPEC. APPLICATION	WEIGHT MASSE APPROX. 245 g
CUSTOMER DRAWING /PLAN CLIENT	

TE Connectivity		NAME /TITRE BSMB-95/240-34 BSMU-95/240-34 ASBS-3/0-500	
		SIZE /FORMAT A3	CAGE CODE -
DRAWING NO No PLAN C-1701211		RESTRICTED TO RESERVE A	
CUSTOMER DRAWING /PLAN CLIENT	UNIQUEMENT POUR REFERENCE	SCALE /ECHELLE 1:1	SHEET /FEUILLE OF /DE REV C