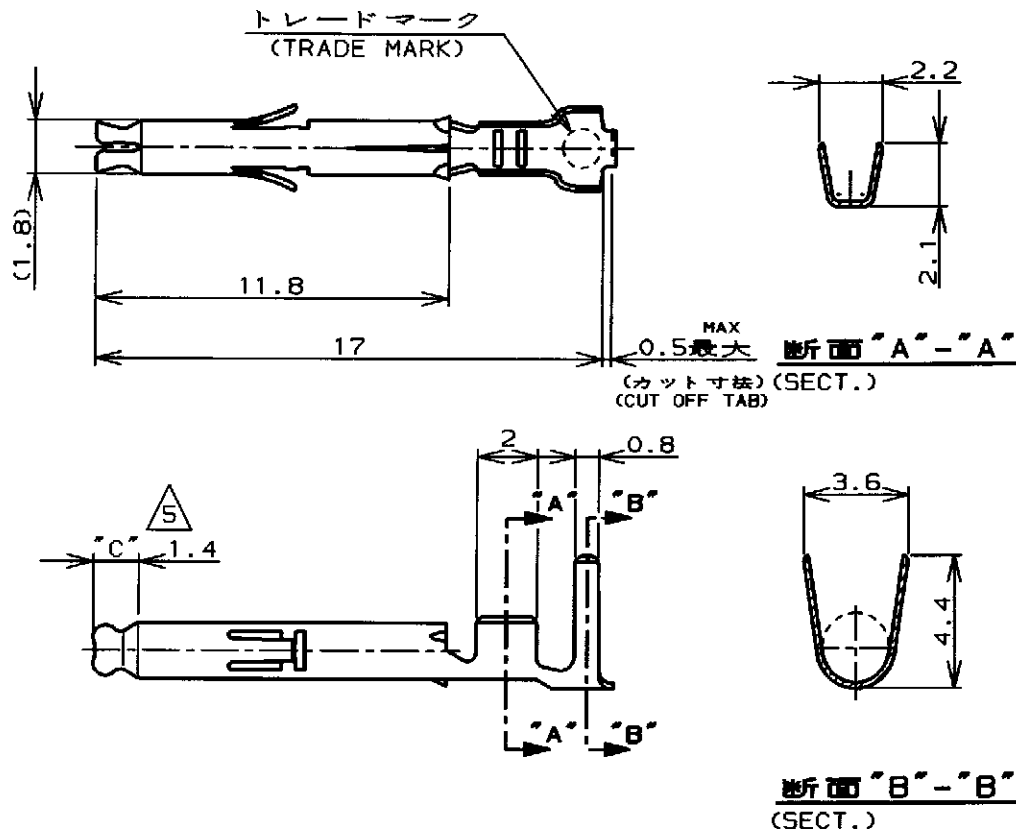


LOC	DTST	REVISIONS					
		P	LTR	DESCRIPTION	DATE	DWN	APVD
J			E	REVISED PER ECR-20-100815	01DEC2020	BDA	SW
			E1	REVISED PER ECR-21-102346	29APR2021	JP	VS



NOTES;

1. APPLICABLE HOUSING : CAP AND PLUG.
- △2 PRODUCT SPECIFICATION 108-5138
- △3 APPLICATION SPECIFICATION 114-5050
4. INSTRUCTION SHEET IS-105J
- △5 SELECTIVE GOLD PLATED AREA "C"
0.0004mm MIN THICK OVER Ni PLATE
ON INSIDE SURFACE
- △6 DOUBLE CRIMPING INSURATION DIA
3.4mm MAX.

	錫めつき付・燐青銅 (PRE-TIN・PHOZ BRO)	-4	-4
	金めつき・黄銅 △5 (GOLD PLATE・BRASS)	-3	-3
170359, 170360 170363, 170364	錫めつき付・黄銅 (PRE-TIN・BRASS)	170362-1	170366-1
嵌合相手型番 (MATING P/N)	材料・仕上 (MATERIAL・FINISH)	連鎖状端子型番 (STRIP P/N)	型番 (P/N)

WIRE RANGE
抱合電線断面積
0.30-0.89mm² (AWG #22~#18)

INSULATION DIA
被覆外径
△6 1.5~2.4mm

RELEASED FOR PUBLICATION
ALL RIGHTS RESERVED.

THIS DRAWING IS UNPUBLISHED.

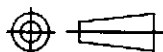
© COPYRIGHT

DIMENSIONS,
単位 概
mm

TOLERANCES UNLESS
OTHERWISE SPECIFIED:

一般公差

±0.4, ±1°0'



DWN
CHK
APVD
PRODUCT SPEC
APPLICATION SPEC
WEIGHT

T. Yamamoto 11 JUN 98
M. Sluice 15 JUN 98
M. Sluice 15 JUN 98

注記参照 (SEE NOTES) △2

注記参照 (SEE NOTES) △3

MATERIAL 表参照 (SEE TABLE) 0.2t
FINISH 表参照 (SEE TABLE) 仕上

TE TE Connectivity

NAME
ミニユニバーサルメイトンロックソケットコンタクトばら状端子
MINI UNIVERSAL MATE-N-LOK SOCKET CONTACT LOOSE PIECE

SIZE A4 CAGE CODE 00779 DRAWING NO C-170366

CUSTOMER DRAWING

SCALE 尺度 1 OF 1 REV E1