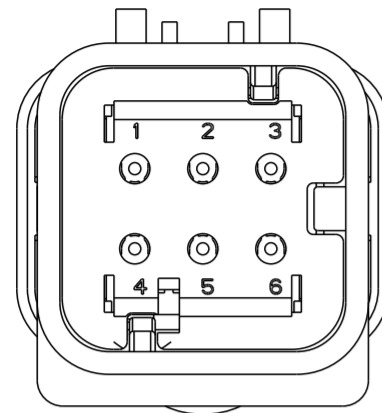
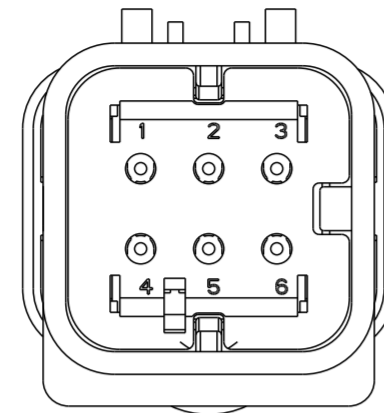


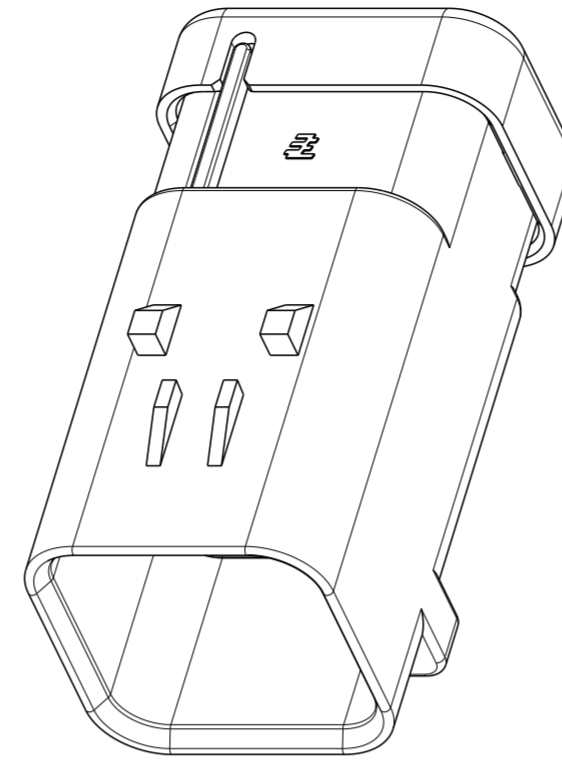
REVISIONS					
P	LTR	DESCRIPTION	DATE	DWN	APVD
C		REVISED ECR-08-020709	18AUG2008	S.K	S.M
D		REVISED ECR-14-000206	26DEC2013	DR	RB
DI		REVISED ECR-24-201925	05MAR2024	HY	TK



1717975-2  
SCALE 2:1



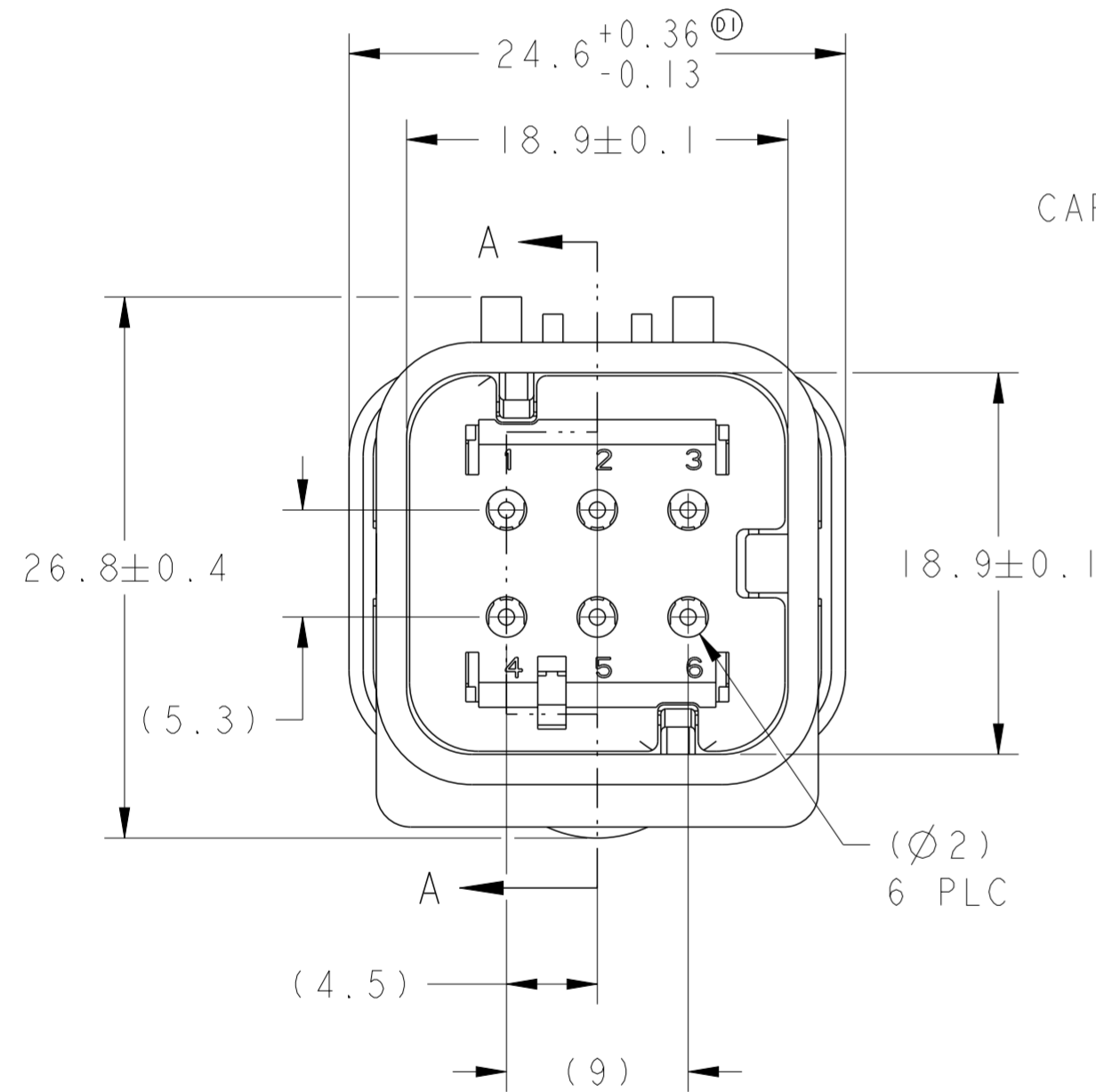
1717975-3  
SCALE 2:1



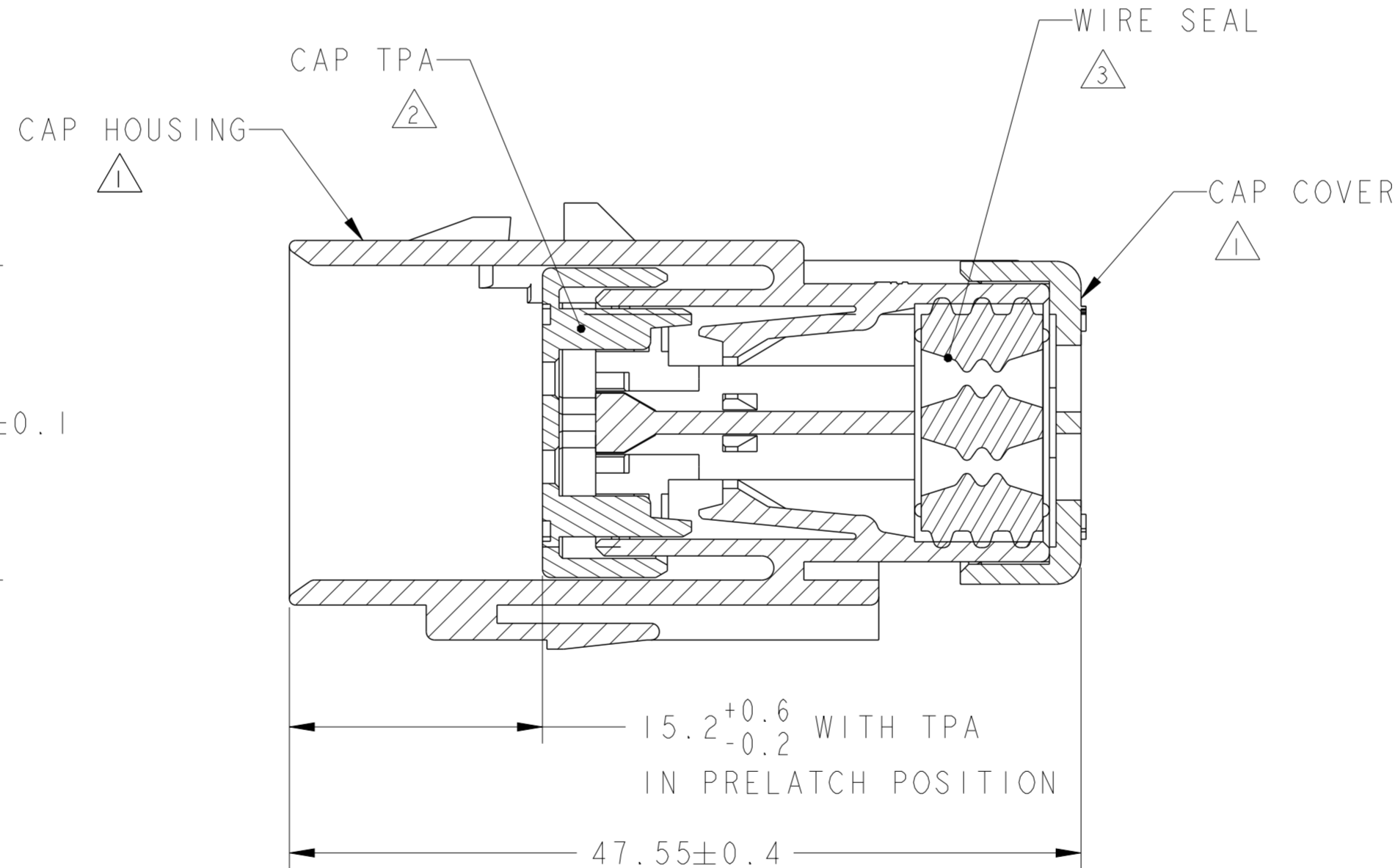
SCALE 2:1

- ① MATERIAL: 15% GLASS FILLED THERMOPLASTIC  
COLOR: BLACK
- ② MATERIAL: 15% GLASS FILLED THERMOPLASTIC  
COLOR: (SEE TABLE)
- ③ MATERIAL: SILICONE  
COLOR: LIGHT GRAY

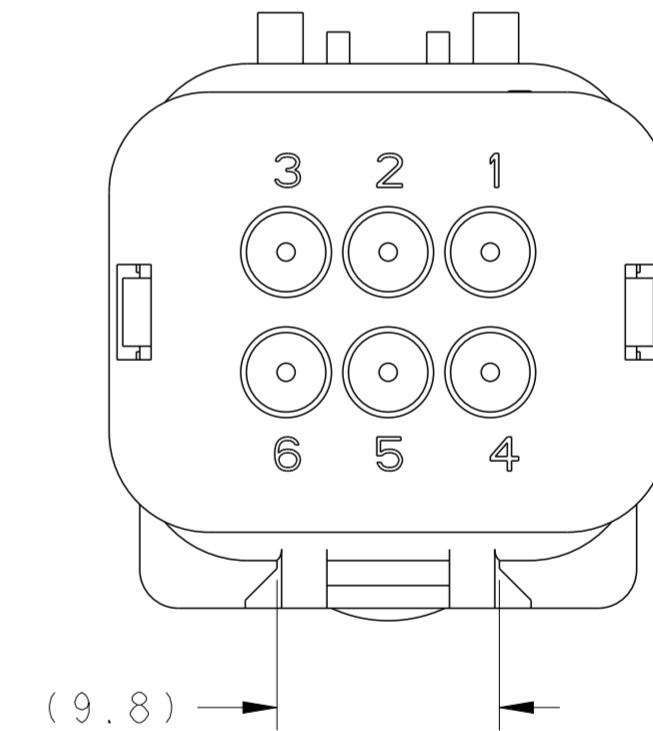
4. WIRE INSULATION RANGE;  $\varnothing 1.3 \sim \varnothing 2.3$



1717975-1 SHOWN



A-A



YELLOW	1717975-3
GRAY	1717975-2
RED	1717975-1
TPA COLOR	PART NUMBER

THIS DRAWING IS A CONTROLLED DOCUMENT.		DWN Y. KATO 15JAN2004	TE Connectivity		
DIMENSIONS: mm		CHK S. MANABE 15JAN2004			
TOLERANCES UNLESS OTHERWISE SPECIFIED:		APVD S. MANABE 15JAN2004	NAME CAP ASSY, 6 POS. BRACKET REVERSE TYPE, SMALL WIRE SIZE AMPSEAL 16		
0 PLC ±		PRODUCT SPEC 108-2184	SIZE A2	CAGE CODE -	DRAWING NO. G-1717975
1 PLC ±		APPLICATION SPEC 114-13065	RESTRICTED TO -	SCALE 3:1 SHEET 1 OF 1 REV DI	
2 PLC ±		WEIGHT -			
3 PLC ±		CUSTOMER DRAWING			
4 PLC ±					
ANGLES ±					
FINISH -					
-					