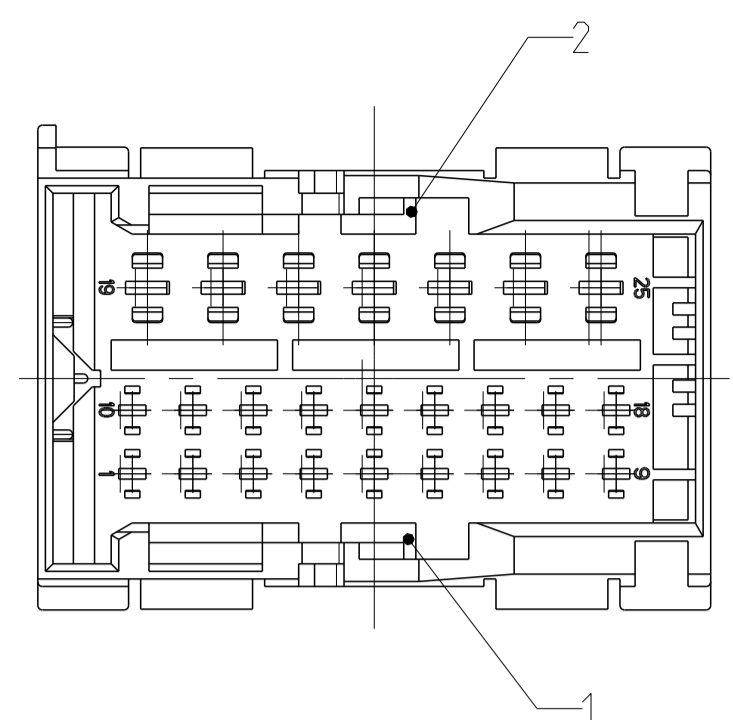
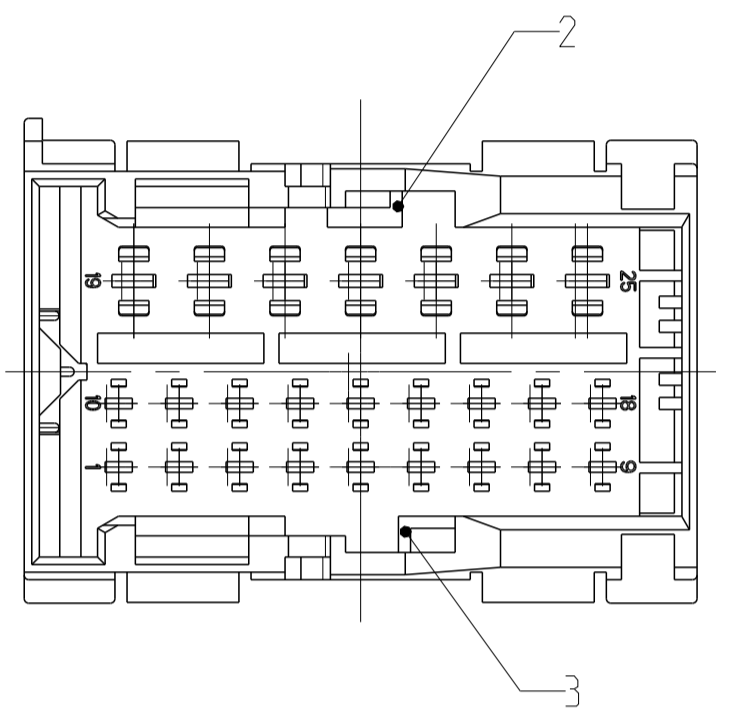


FURTHER CODING  
 weitere Kodierung

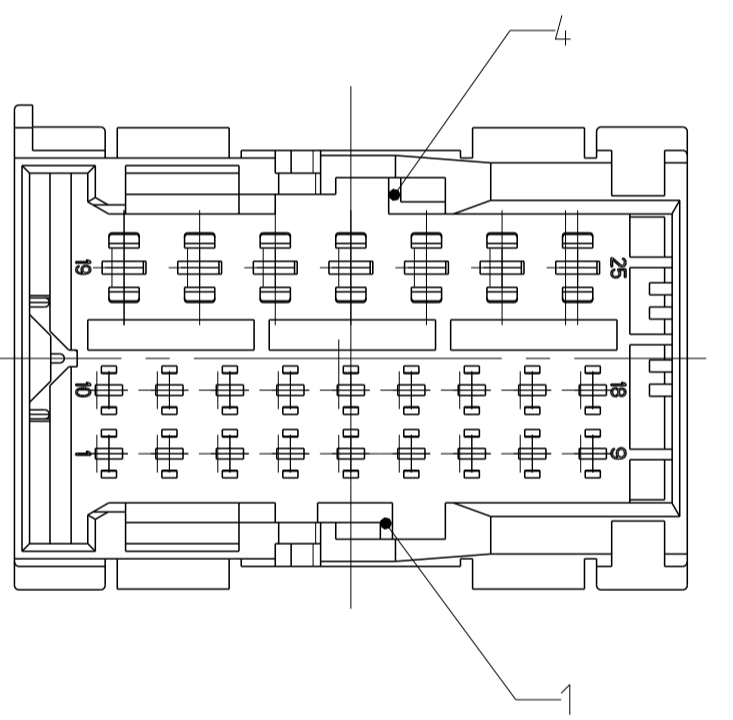
CODING B  
 Kodierung



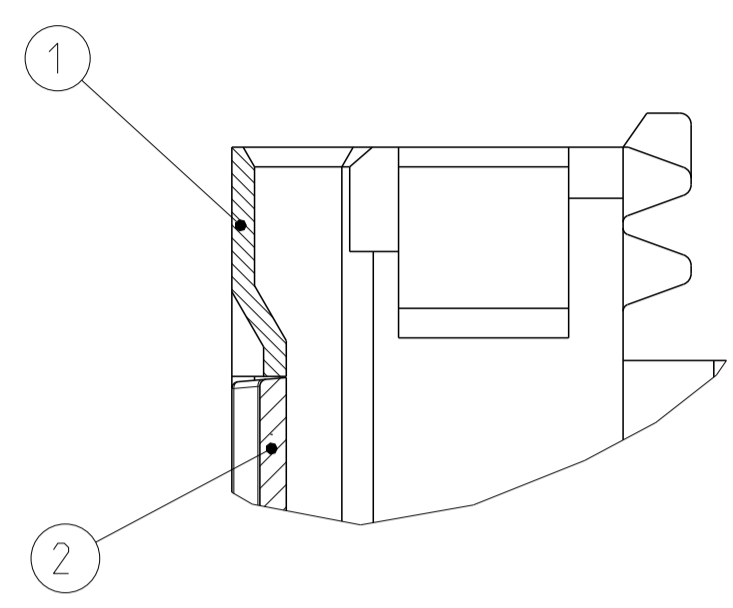
CODING C  
 Kodierung



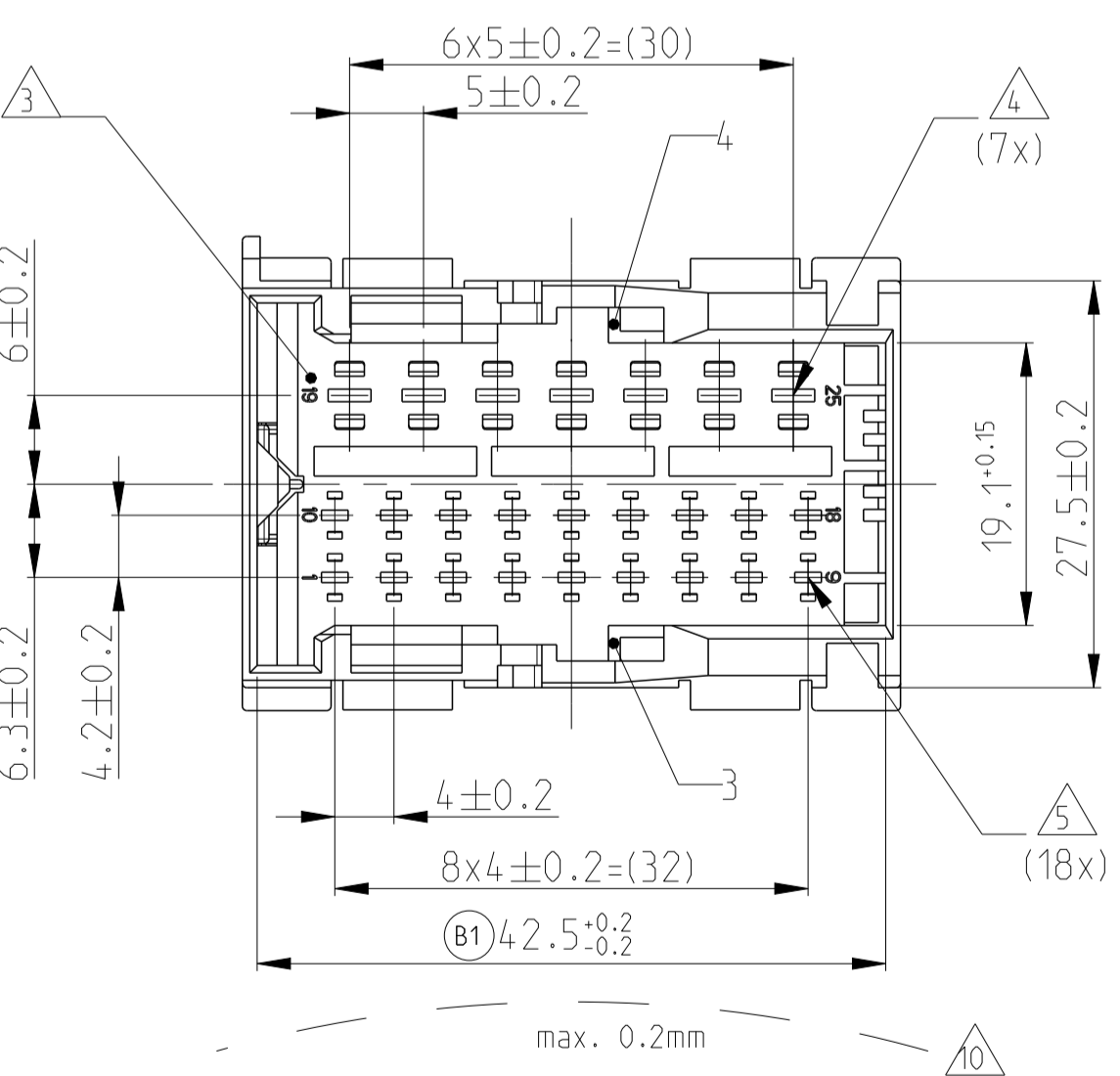
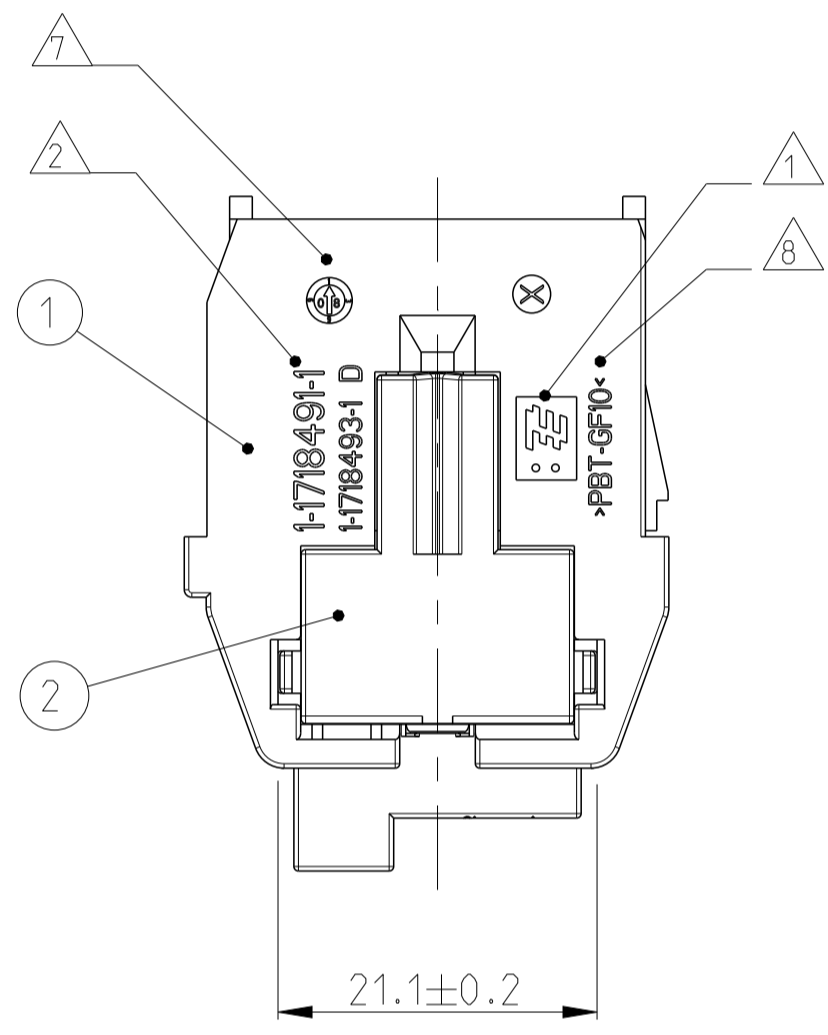
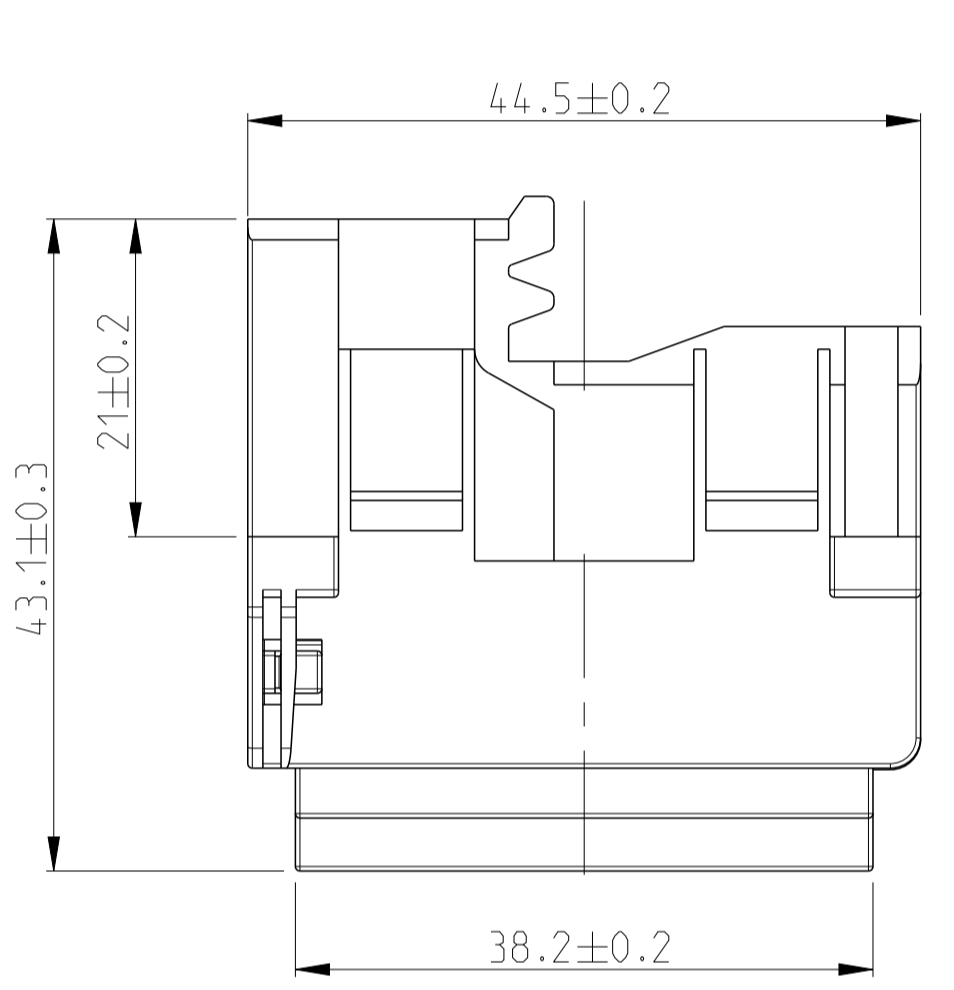
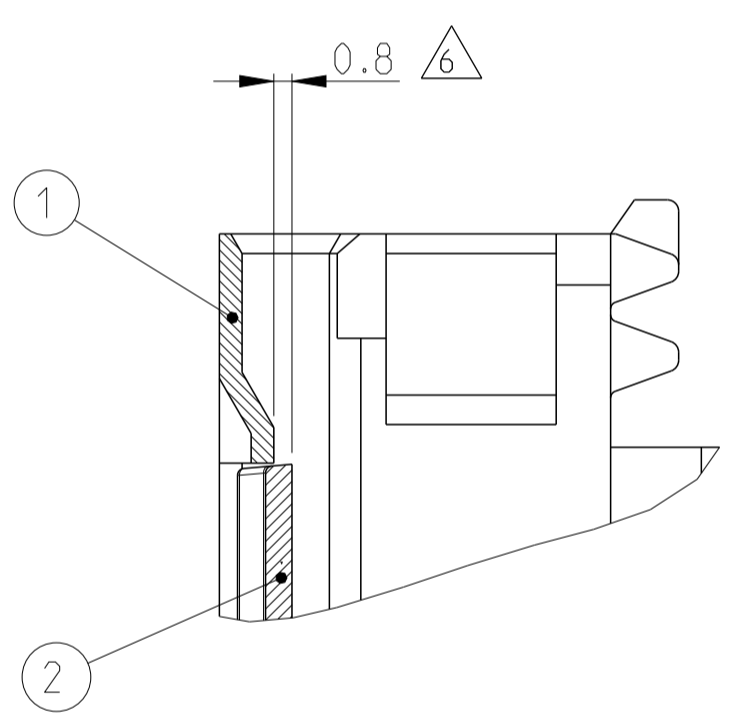
CODING D  
 Kodierung



SECONDARY LOCKING IN LOCKED POSITION  
 Zweite Kontaktsicherung in Endraststellung



SECONDARY LOCKING IN PRE LOCKED POSITION  
 Zweite Kontaktsicherung in Vorraststellung

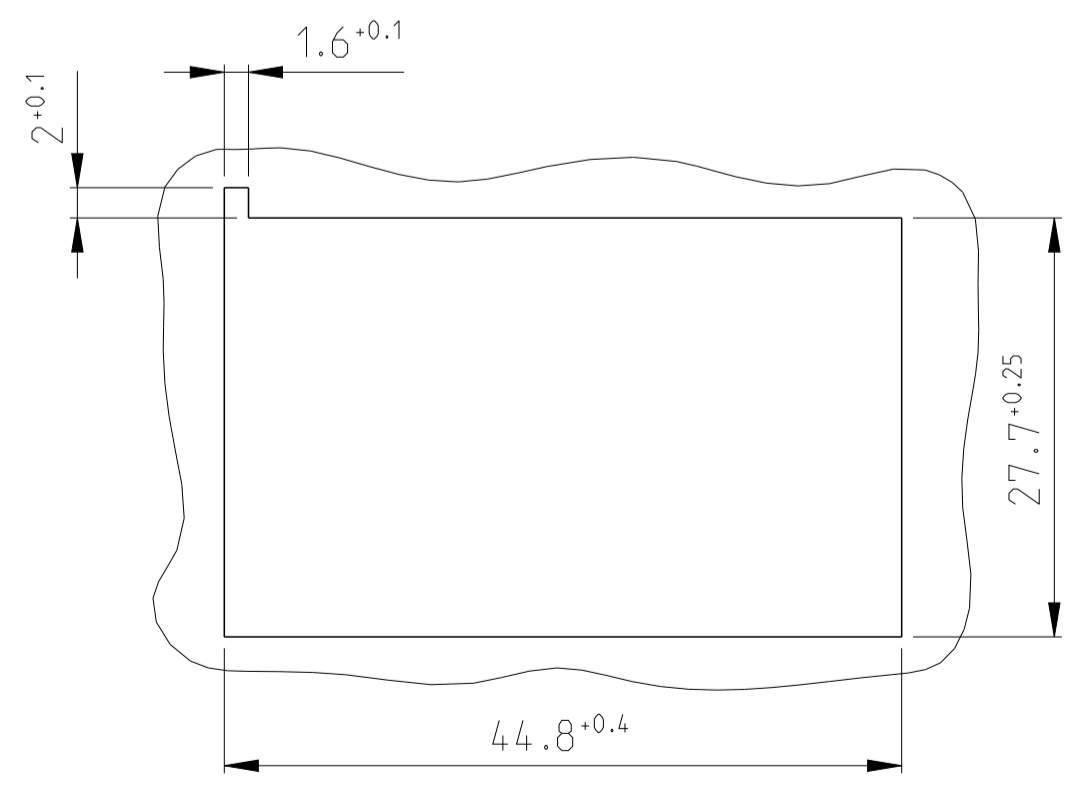


LOC	DIST	REVISIONS			
		REV.	DATE	BY	CHKD
A1	-	D1	30MAR2011	RK	HMR
		D2	30APR2013	NP	FE

NOTES  
 Bemerkungen

- 1 TE LOGO
- 2 TE CONNECTIVITY NUMBER
- 3 CAVITY NUMBERING
- 4 CONTACTS MATING WITH TAB 2.8 x 0.8 MM
- 5 CONTACTS MATING WITH TAB 1.6 x 0.6 MM
- 6 SLIDING DISTANCE OF SECONDARY LOCKING
- 7 PRODUCTION DATE
- 8 MATERIAL MARKING ACC. TO VDA 260
- 9 MECHANICAL CODING
- 10 WARPAGE TO . . . PERMITTED
- 11 FITS TO TE CONNECTIVITY CARRIER + AMP MCP1.5K/2.8 RECEPTACLE INSERTS. 18-7POS
- 12 FITS TO INTERFACE:
- 12a FOR PLASTIC FRAME INTERFACE DRAWING 114-18327-1
- 12b FOR METAL BRACKET
- 13 LAYER PACKAGING IN CORRUGATED BOX
- 14 MALFUNCTION CAUSED BY LACQUER IS NOT COVERED BY TE CONNECTIVITY WARRANTY

CUT - OFF  
 Ausschnitt



MATERIAL-THICKNESS  
 ACC. TO DIN EN 10131 t = 2.0±0.1  
 Materialdicke  
 nach DIN EN 10131 t = 2.0±0.1

DELIVERY CONDITIONS:  
 Lieferzustand:

2nd LOCKING DEVICE IN PRE LOCKED POSITION  
 2. Kontaktsicherung in Vorraststellung

CODING A AS SHOWN  
 Kodierung A wie gezeigt:

CODE	ORDER-NO.	REV.	QTY	MAT.	COLOUR	DESCRIPTION	REV.	ITEM
D	1-1718491-4	D	1	PBT-GF30	YELLOW gelb	SECONDARY LOCKING zweite Kontaktsicherung	C	2
			1	PBT-GF10	YELLOW GREEN gelbgrün	TAB HOUSING CODE D Stiftgehäuse Kodierung D	D	1
C	1-1718491-3	D	1	PBT-GF30	YELLOW gelb	SECONDARY LOCKING zweite Kontaktsicherung	C	2
			1	PBT-GF10	LIGHT BLUE lichtblau	TAB HOUSING CODE C Stiftgehäuse Kodierung C	D	1
B	1-1718491-2	D	1	PBT-GF30	YELLOW gelb	SECONDARY LOCKING zweite Kontaktsicherung	C	2
			1	PBT-GF10	DUSTY GREY staubgrau	TAB HOUSING CODE B Stiftgehäuse Kodierung B	D	1
A	1-1718491-1	D	1	PBT-GF30	YELLOW gelb	SECONDARY LOCKING zweite Kontaktsicherung	C	2
			1	PBT-GF10	BLACK schwarz	TAB HOUSING CODE A Stiftgehäuse Kodierung A	D	1

THIS DRAWING IS A CONTROLLED DOCUMENT.

OWNER: E. Ellrop  
 CHK: Ch. Eberwein  
 DATE: 16 JUL 2004

DIMENSIONS: MASSENHEITEN: mm

TOLERANCES UNLESS OTHERWISE SPECIFIED: ACC. TO DIN 9131-10

FINISH/SCHREIBFLÄCHENFARBE: SEE TABLE

WEIGHT: 22 g

Customer Drawing

SCALE: MASSSTAB 2:1

SHEET: 1 OF 1

REV: D2

STE TE Connectivity

NAME: 1.5/2.8 MM TAB HOUSING, 25POS  
 1.5/2.8mm Flachsteckergehäuse, 25pol.

SIZE: A1  
 CAGE CODE: 00779  
 DRAWING NO: 1718491