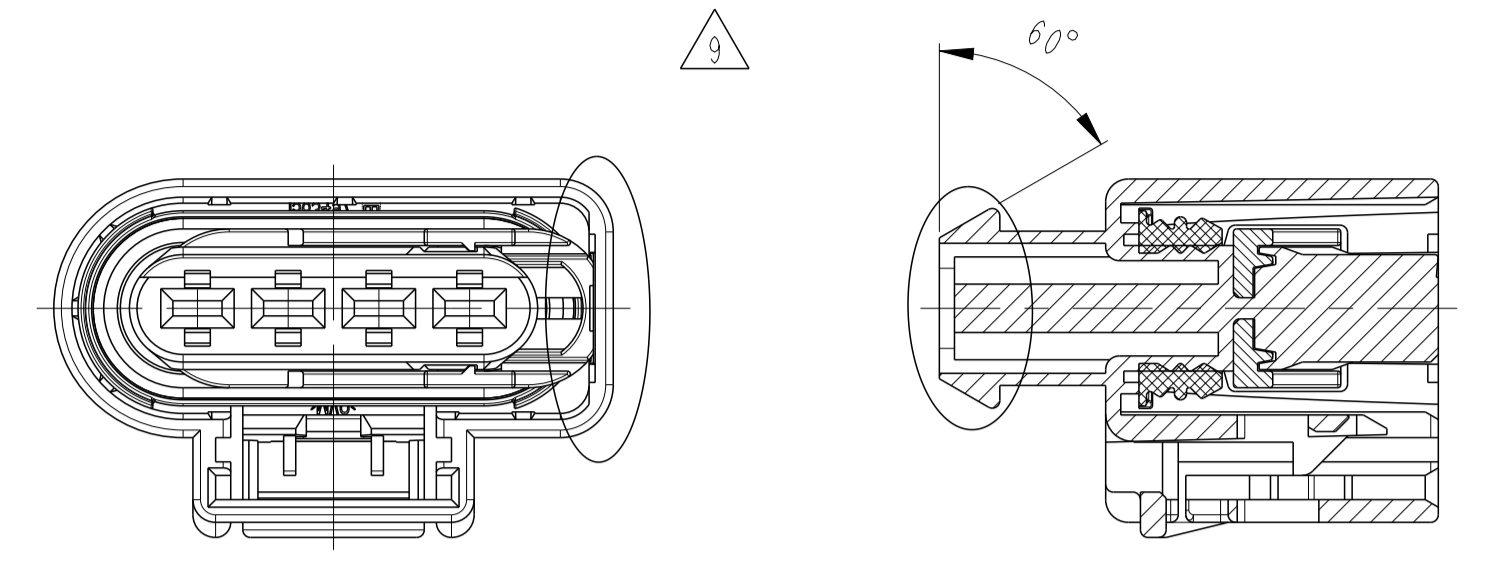
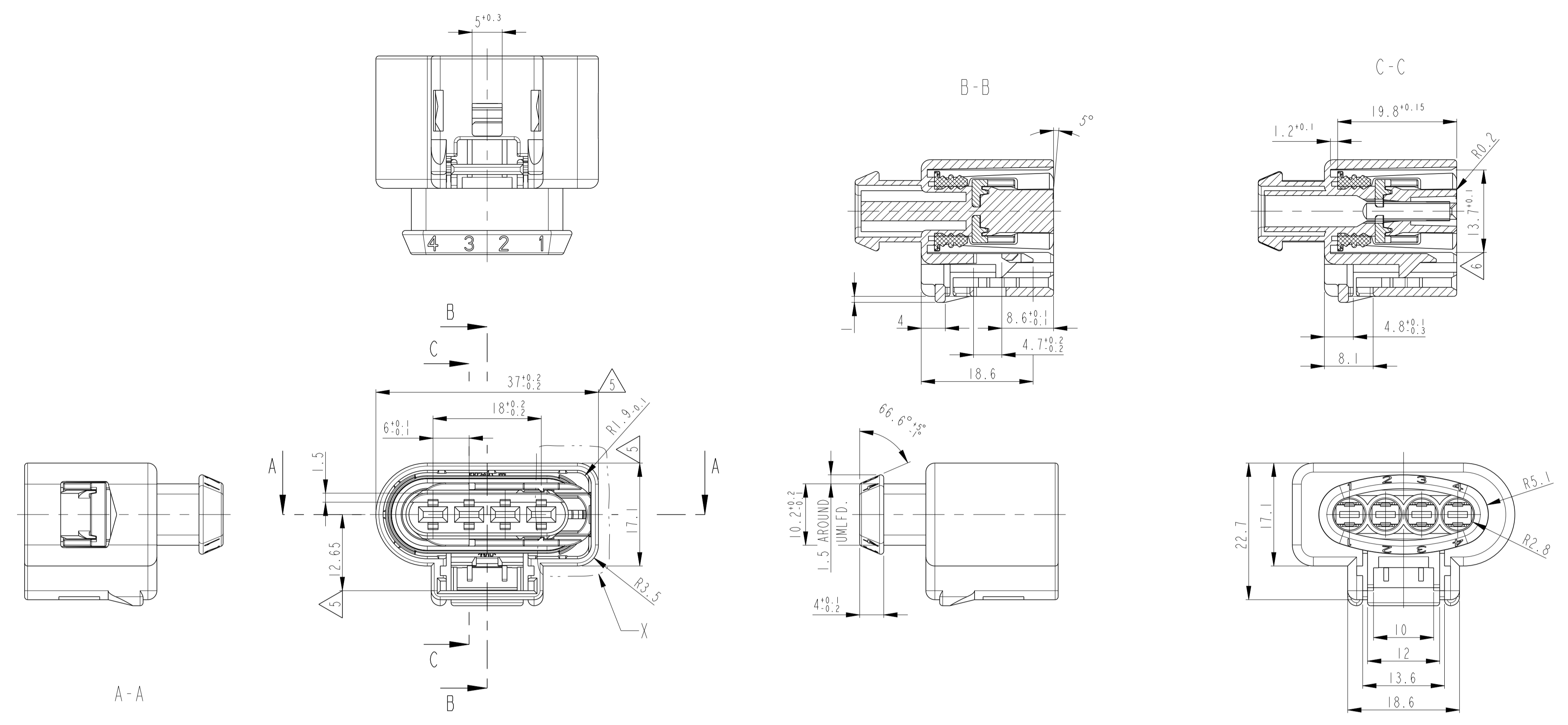


LOC	DIST	REV	LTN	REVISIONS ÄNDERUNGEN DESCRIPTION BESCHREIBUNG	DATE	OWN	APVD
A1	-	F2		MODIFIED SEALING / MOD. RADIALDICHTUNG	11SEP2009	TS	Thiel
		F3		VIEWABLE CORRECTED	29NOV2010	MH	Thiel
		G		RET: GREEN FOR HIGHER FORCES	19MAY2011	MH	Thiel
		G1		TABLE NEW	21MAR2022	MKS	MDG



NOTES

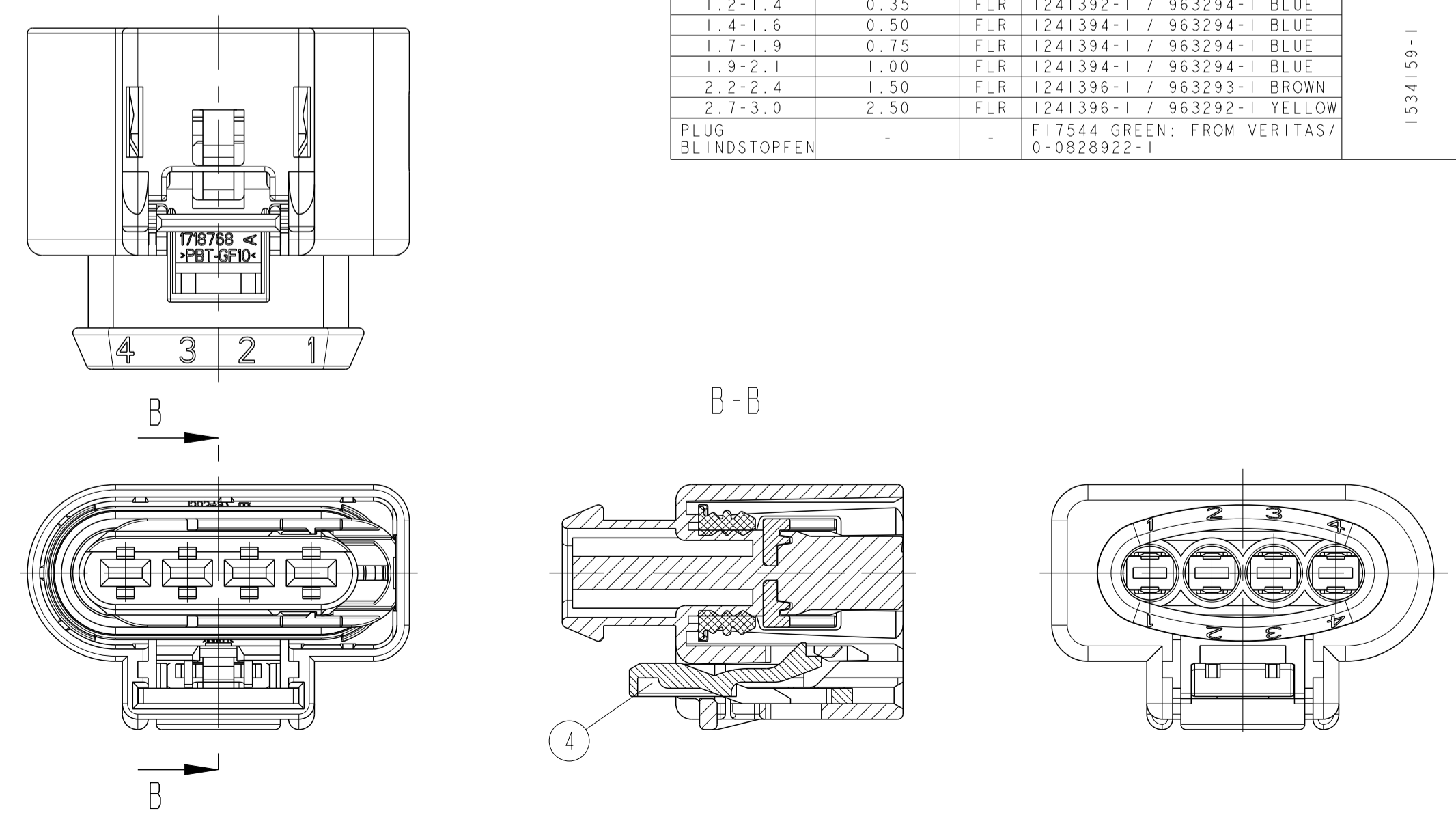
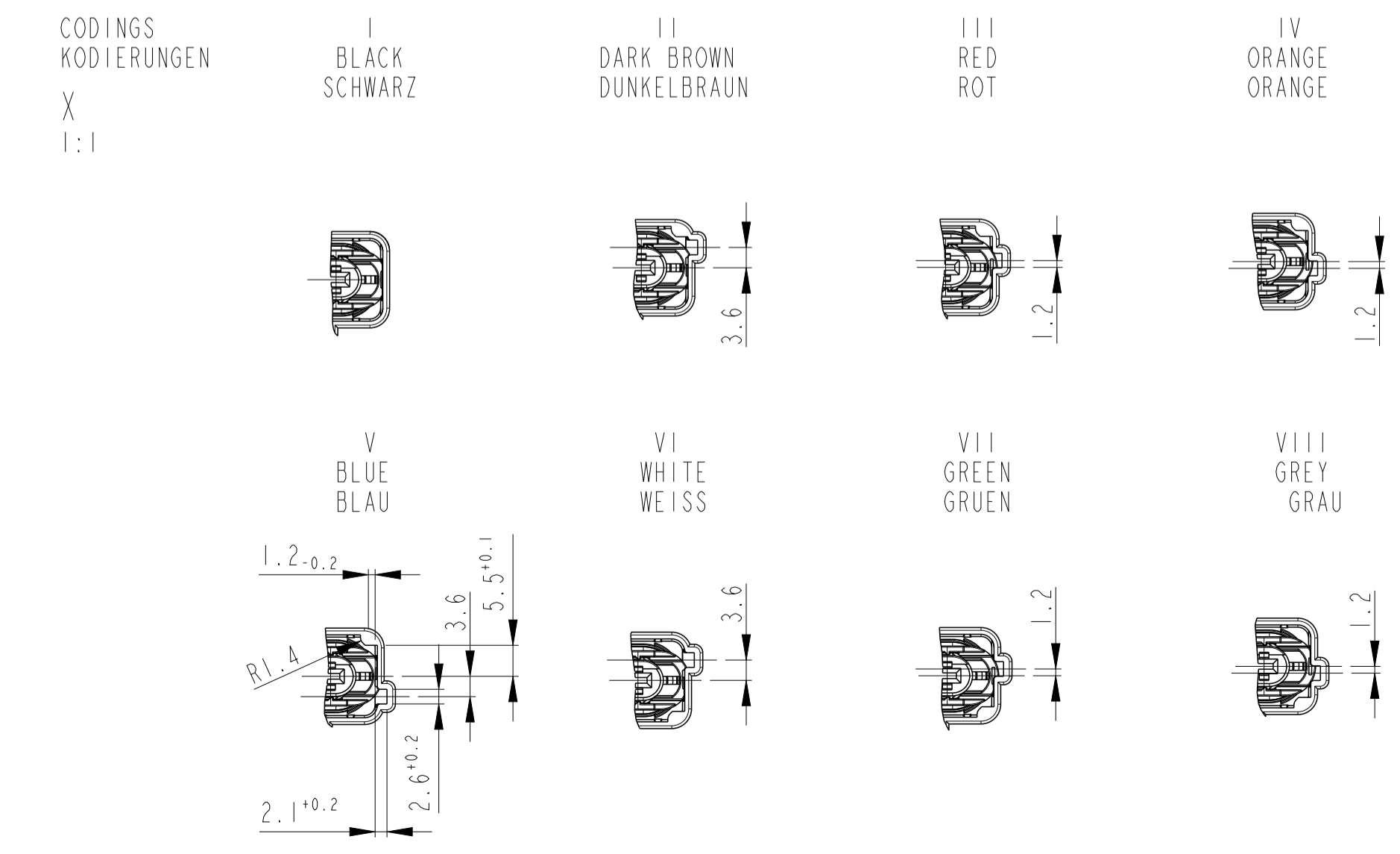
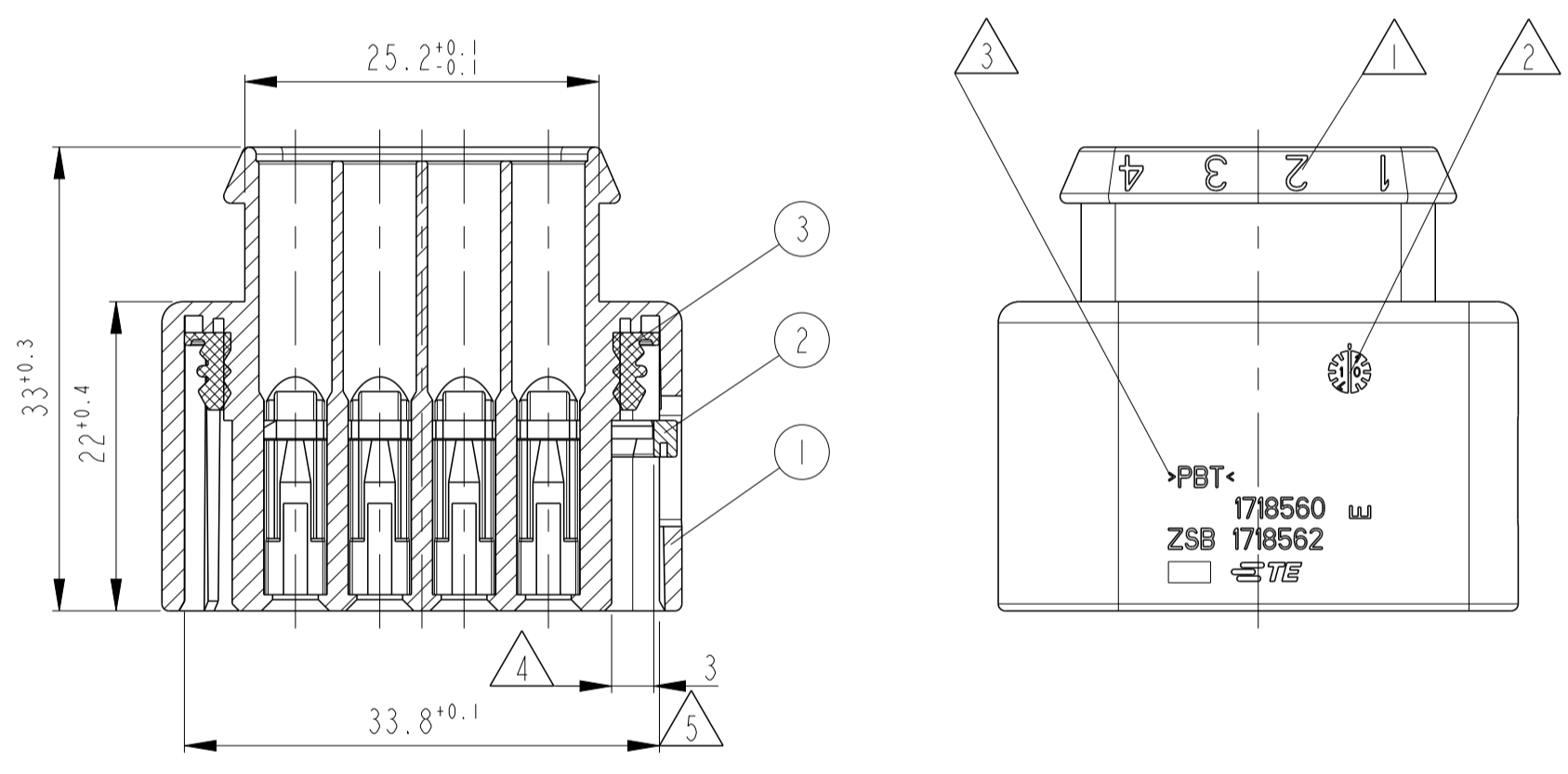
- 1 CONTACT CAVITY NUMBER
- 2 PRODUCTION-DATE
- 3 MATERIAL MARKING ACC.TO VDA 260
- 4 SHOWN AS SUPPLIED: RETAINER IN PRE-LOCKED POSITION. AFTER CONTACT LOADING TO DRIFT IN THIS DIRECTION (3mm)
- 5 ALLOWED WARPAGE ±0.5
- 6 BULK PACKAGED
- 7 WITHOUT CPA (CONNECTOR POSITION ASSURANCE)
- 8 WITH CPA
- 9 ALLOWED DEVIATIONS FOR PARTS FROM EXISTING MOLD (CAVITY MARKING 1 - 4)

BEMERKUNGEN

- 1 KONTAKTKAMMERNUMMER
- 2 PRODUKTIONSDATUM
- 3 WERKSTOFF-KENNZEICHNUNG NACH VDA 260
- 4 LIEFERZUSTAND GEZEICHNET: VERRIEGELUNG IN VORRATSTELLUNG, NACH KONTAKTBESTÜCKUNG IN DIESER RICHTUNG VERSCHIEBEN (3mm)
- 5 ZULAESSIGER VERZUG ±0.5
- 6 VERPACKT ALS SCHUETTUTG
- 7 OHNE CPA
- 8 MIT CPA
- 9 ZUL. ABWEICHUNGEN FUER TEILE AUS BESTEHENDEM WERKZEUG (NESTMARKIERUNG 1 - 4)

EINBAUDEFINITION / FITTING DEFINITION

MM WIRE DIA LEITER-Ø	MM² WIRE SIZE QUERSCHNITT	TYP	CONTACT/WIRE SEAL KONTAKT/LEITENDICHTUNG	MATING PART GEGENSTUECK
1.2-1.4	0.35	FLR	1241392-1 / 963294-1 BLUE	1534159-1
1.4-1.6	0.50	FLR	1241394-1 / 963294-1 BLUE	
1.7-1.9	0.75	FLR	1241394-1 / 963294-1 BLUE	
1.9-2.1	1.00	FLR	1241394-1 / 963294-1 BLUE	
2.2-2.4	1.50	FLR	1241396-1 / 963293-1 BROWN	
2.7-3.0	2.50	FLR	1241396-1 / 963292-1 YELLOW	
PLUG BLINDSTOPFEN	-	-	F17544 GREEN: FROM VERITAS/ 0-0828922-1	



LOC	DIST	REV	LTN	MATERIAL	COLOR	RAL-NO	DESCRIPTION	QTY	ITEM NO
VIII	I-1718562-8	G	PBT-GF10	RED	3003	CPA	SEALING, ...	1	4
			MVO	NATURAL	-	SEALING, ...	1	3	
			PBT-GF10	GREEN	6018	RETAINER, ...	1	2	
			PBT	GREY	7036	RECEPTACLE HOUSING, ...	1	1	
VII	I-1718562-7	G	PBT-GF10	RED	3003	CPA	SEALING, ...	1	4
			MVO	NATURAL	-	SEALING, ...	1	3	
			PBT-GF10	GREEN	6018	RETAINER, ...	1	2	
			PBT	GREEN	6018	RECEPTACLE HOUSING, ...	1	1	
VI	I-1718562-6	G	PBT-GF10	RED	3003	CPA	SEALING, ...	1	4
			MVO	NATURAL	-	SEALING, ...	1	3	
			PBT-GF10	GREEN	6018	RETAINER, ...	1	2	
			PBT	WHITE	9010	RECEPTACLE HOUSING, ...	1	1	
V	I-1718562-5	G	PBT-GF10	RED	3003	CPA	SEALING, ...	1	4
			MVO	NATURAL	-	SEALING, ...	1	3	
			PBT-GF10	GREEN	6018	RETAINER, ...	1	2	
			PBT	BLUE	5012	RECEPTACLE HOUSING, ...	1	1	
IV	I-1718562-4	G	PBT-GF10	RED	3003	CPA	SEALING, ...	1	4
			MVO	NATURAL	-	SEALING, ...	1	3	
			PBT-GF10	GREEN	6018	RETAINER, ...	1	2	
			PBT	ORANGE	2003	RECEPTACLE HOUSING, ...	1	1	
III	I-1718562-3	G	PBT-GF10	RED	3003	CPA	SEALING, ...	1	4
			MVO	NATURAL	-	SEALING, ...	1	3	
			PBT-GF10	GREEN	6018	RETAINER, ...	1	2	
			PBT	RED	3003	RECEPTACLE HOUSING, ...	1	1	
II	I-1718562-2	G	PBT-GF10	RED	3003	CPA	SEALING, ...	1	4
			MVO	NATURAL	-	SEALING, ...	1	3	
			PBT-GF10	GREEN	6018	RETAINER, ...	1	2	
			PBT	DARK BROWN	8012	RECEPTACLE HOUSING, ...	1	1	
I	I-1718562-1	G	PBT-GF10	RED	3003	CPA	SEALING, ...	1	4
			MVO	NATURAL	-	SEALING, ...	1	3	
			PBT-GF10	GREEN	6018	RETAINER, ...	1	2	
			PBT	BLACK	9011	RECEPTACLE HOUSING, ...	1	1	

COD	TE-NO	REV	MATERIAL	COLOR	RAL-NO	DESCRIPTION	QTY	ITEM NO
VIII	1718562-8	G	MVO	NATURAL	-	SEALING, ...	1	3
			PBT-GF10	GREEN	6018	RETAINER, ...	1	2
			MVO	NATURAL	-	SEALING, ...	1	3
			PBT	GREY	7036	RECEPTACLE HOUSING, ...	1	1
VII	1718562-7	G	PBT-GF10	GREEN	6018	RETAINER, ...	1	2
			MVO	NATURAL	-	SEALING, ...	1	3
			PBT	GREEN	6018	RECEPTACLE HOUSING, ...	1	1
			MVO	NATURAL	-	SEALING, ...	1	3
VI	1718562-6	G	PBT-GF10	GREEN	6018	RETAINER, ...	1	2
			PBT	WHITE	9010	RECEPTACLE HOUSING, ...	1	1
			MVO	NATURAL	-	SEALING, ...	1	3
			PBT-GF10	GREEN	6018	RETAINER, ...	1	2
V	1718562-5	G	PBT-GF10	GREEN	6018	RETAINER, ...	1	2
			PBT	BLUE	5012	RECEPTACLE HOUSING, ...	1	1
			MVO	NATURAL	-	SEALING, ...	1	3
			PBT-GF10	GREEN	6018	RETAINER, ...	1	2
IV	1718562-4	G	PBT-GF10	GREEN	6018	RETAINER, ...	1	2
			PBT	ORANGE	2003	RECEPTACLE HOUSING, ...	1	1
			MVO	NATURAL	-	SEALING, ...	1	3
			PBT-GF10	GREEN	6018	RETAINER, ...	1	2
III	1718562-3	G	PBT-GF10	RED	3003	RECEPTACLE HOUSING, ...	1	1
			PBT	RED	3003	RECEPTACLE HOUSING, ...	1	1
			MVO	NATURAL	-	SEALING, ...	1	3
			PBT-GF10	GREEN	6018	RETAINER, ...	1	2
II	1718562-2	G	PBT-GF10	GREEN	6018	RETAINER, ...	1	2
			PBT	DARK BROWN	8012	RECEPTACLE HOUSING, ...	1	1
			MVO	NATURAL	-	SEALING, ...	1	3
			PBT-GF10	GREEN	6018	RETAINER, ...	1	2
I	1718562-1	G	PBT-GF10	GREEN	6018	RETAINER, ...	1	2
			PBT	BLACK	9011	RECEPTACLE HOUSING, ...	1	1
			MVO	NATURAL	-	SEALING, ...	1	3
			PBT-GF10	GREEN	6018	RETAINER, ...	1	2

THIS DRAWING IS A CONTROLLED DOCUMENT.  
 DIESES ZEICHNUNGS-DOKUMENT WIRD DURCH AMP INCORPORATED KONTROLLIERT.  
 ABBEWEISUNG: DIE FÜR TECHNISCHE FÜRSTÜCKUNG GELTENDE ÜBERVORWALTUNG  
 DER ANWENDER, BEZUGSNEHMENDE ANWENDERSTÄNDIGKEITEN, SIND ANWANDER  
 DIMENSIONS: TOLERANCES UNLESS OTHERWISE SPECIFIED:  
 DIMENSIONS: TOLERANCES UNLESS OTHERWISE SPECIFIED:  
 FINISH: UNLESS OTHERWISE SPECIFIED

DWN: G. Gossen  
 CHK: F. Thiel  
 APVD: F. Thiel

10AUG2004  
 10AUG2004

NAME: REC. HSG. ASSY. 4 POS., RD. AMP MCP2.8K  
 FLACHKONTAKTGEHÄUSE KOMPLETT, 4POL.,  
 RADIALDICHT, AMP MCP2.8K

PRODUCT SPEC: ACC. TO  
 PRODUCT SPEC: ACC. TO  
 APPLICATION SPEC: ACC. TO  
 VERABREITUNGSSPEZ.: ACC. TO  
 DIMENSIONS: ACC. TO  
 FINISH: UNLESS OTHERWISE SPECIFIED

SIZE: 10.6 g  
 CAGE CODE: 00779  
 DRAWING NO: 1718562

RESTRICTED TO: NUR FÜR  
 CUSTOMER DRAWING: /KUNDENZEICHNUNG  
 SCALE: 2:1  
 SHEET: 1 OF 1  
 REV: G1