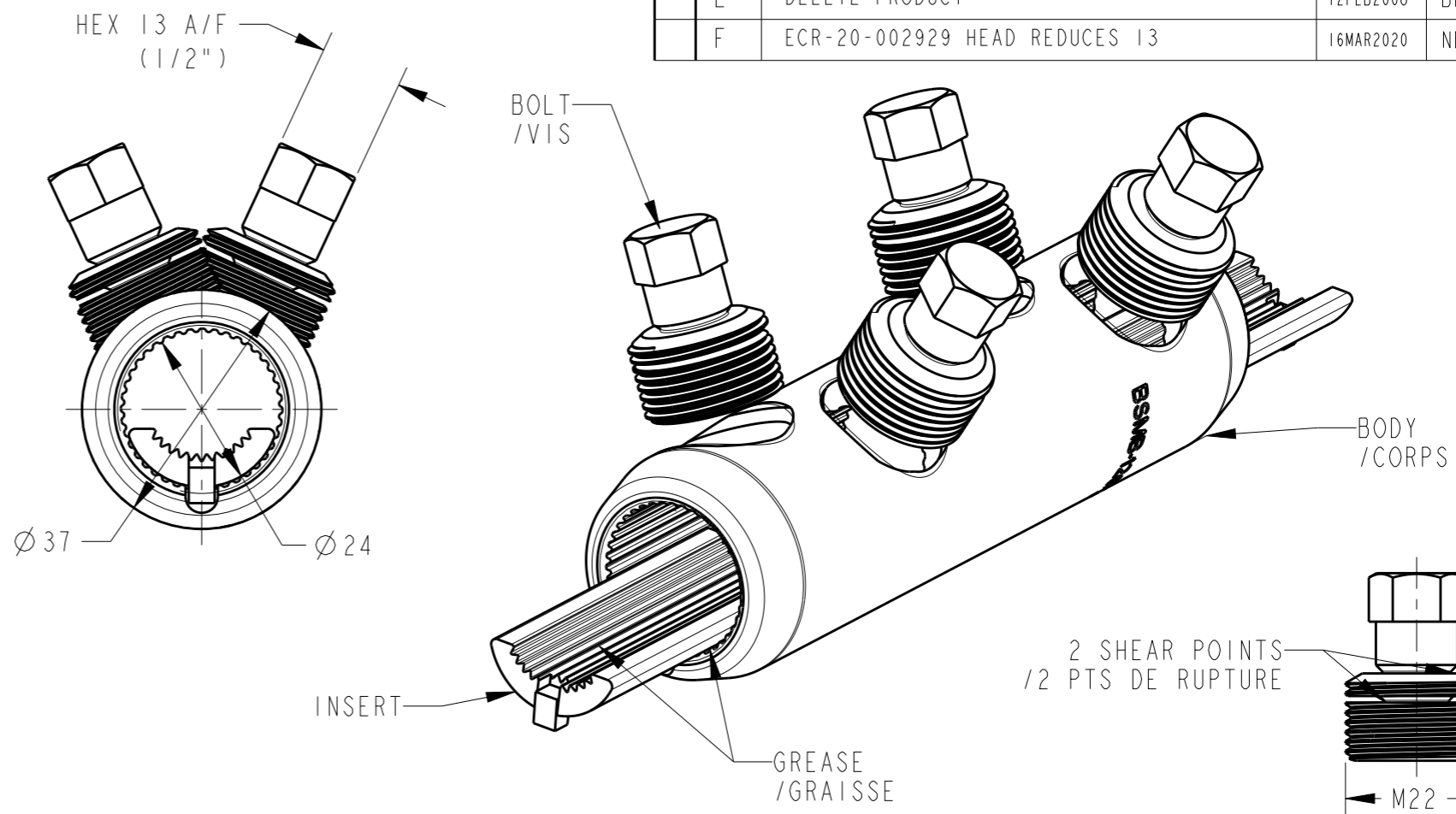
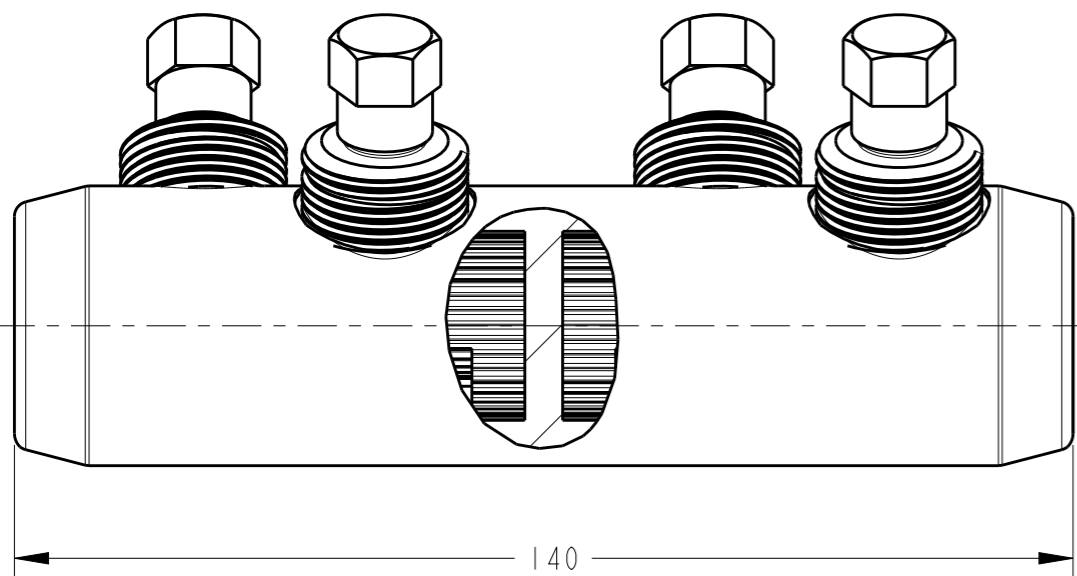


© 2020 TE Connectivity. All Rights Reserved.

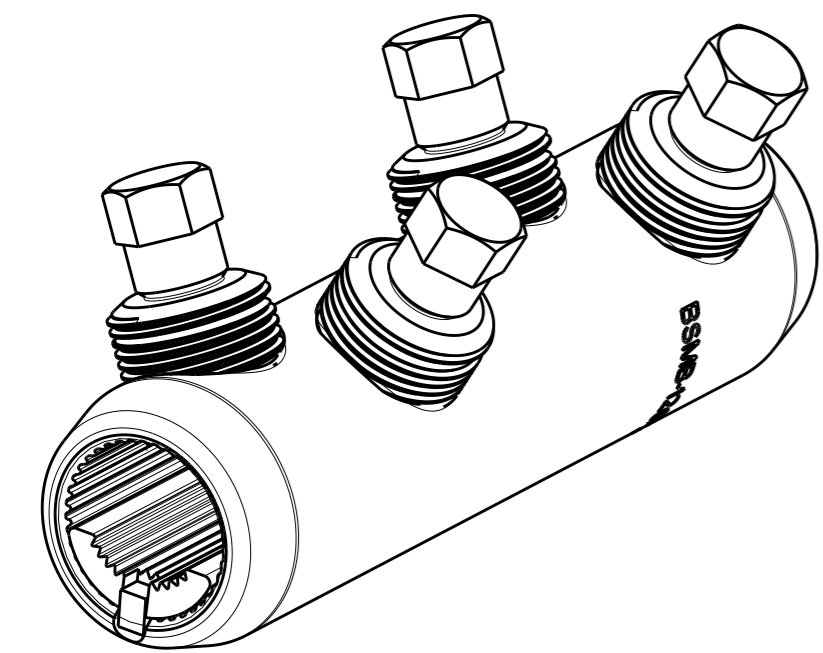
LIBRE A LA DIFFUSION
TOUS DROITS RESERVES

BSMB-120/300	C73113N001	BLOCKED
BSMU-120/300	E22606N001	UNBLOCKED
DESCRIPTION	TCPN	TYPE

REVISIONS					
P	LTR REV	DESCRIPTION MODIFICATIONS	DATE	DWN DESS.	APVD APP.
	0	CREATION	22MAR2005	NA	AD
	A	ADDITIONAL PRODUCT	01MAR2007	RB	NA
	E	DELETE PRODUCT	12FEB2008	BM	AG
	F	ECR-20-002929 HEAD REDUCES 13	16MAR2020	NB	AG



	AL				CU		
	ROUND STRANDED /Rond câblé /RM	ROUND SOLID /Rond solide /RE	SECTOR STRANDED /Sectoral câblé /SM	SECTOR SOLID /Sectoral câblé /SE	ROUND STRANDED /Rond câblé /RM	SECTOR STRANDED /Sectoral câblé /SM	ROUND FLEXIBLE /CIRC. SOUPLE
CONDUCTOR CROSS-SECTION /Section conducteur /Querschnittsbereich mm ²	120-300	150-300	120-185 (240 with rounding) (240 gerundet)	120-240	120-300	120-185 (240 with rounding) (240 gerundet)	240-300 (CLASS 5) 450KCMIL
CONDUCTOR DIAMETER /Diamètre conducteur /Leiterdurchmesser mm	Ø12.7-Ø23.1	Ø12.9-Ø19.8	-	-	Ø12.7-Ø22.6	-	Ø20-Ø23,5



THIS DRAWING IS A CONTROLLED DOCUMENT.
CE PLAN EST UN DOCUMENT CONTROLE PAR TYCO ELECTRONICS CORPORATION.
IL EST SUSCEPTIBLE D'ETRE REVISE. POUR OBTENIR LA DERNIERE REVISION,
CONTACTER LE SERVICE TECHNIQUE DE TYCO ELECTRONICS SIMEL SAS,
21220 GEVREY-CHAMBERTIN, FRANCE

DWN/DESSINE 16MAR2020
N. ALMEIDA

CHK/VERIFIE 16MAR2020
A. GUICHARD

APVD /APPROUVE 16MAR2020
N. ALMEIDA

PRODUCT SPEC SPEC. PRODUIT -

APPLICATION SPEC SPEC. APPLICATION IEC 61238-1

WEIGHT MASSE APPROX. 315

CUSTOMER DRAWING /PLAN CLIENT

UNIQUEMENT POUR REFERENCE

SCALE ECHELLE 1:1

SHEET FEUILLE 1 OF DE 1

REV F

TE Connectivity

BSMB-120/300
BSMB-120/300

SIZE FORMAT A3

CAGE CODE -

DRAWING NO No PLAN C=1727497

RESTRICTED TO RESERVE A