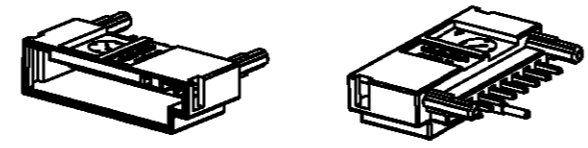
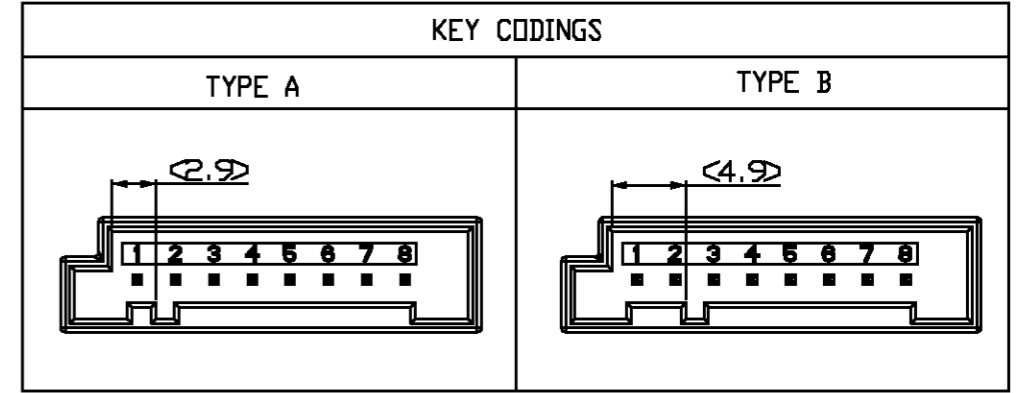
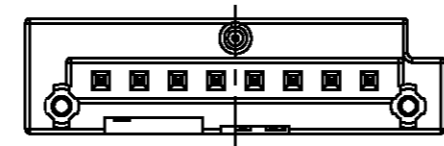
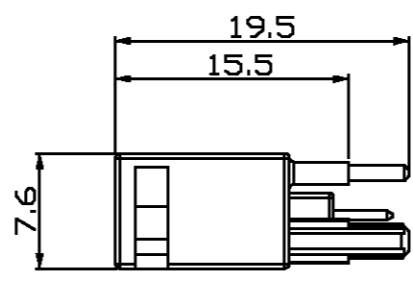
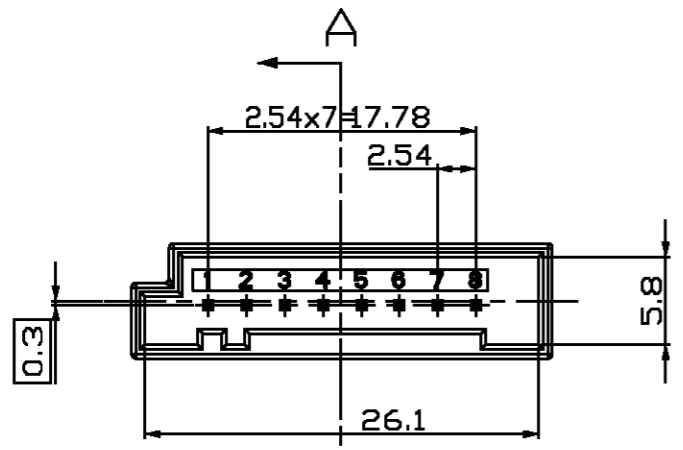
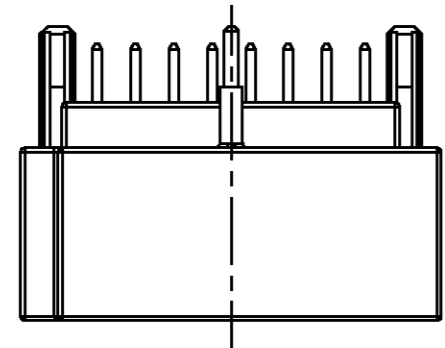


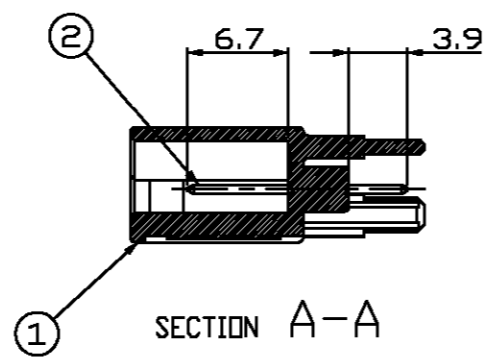
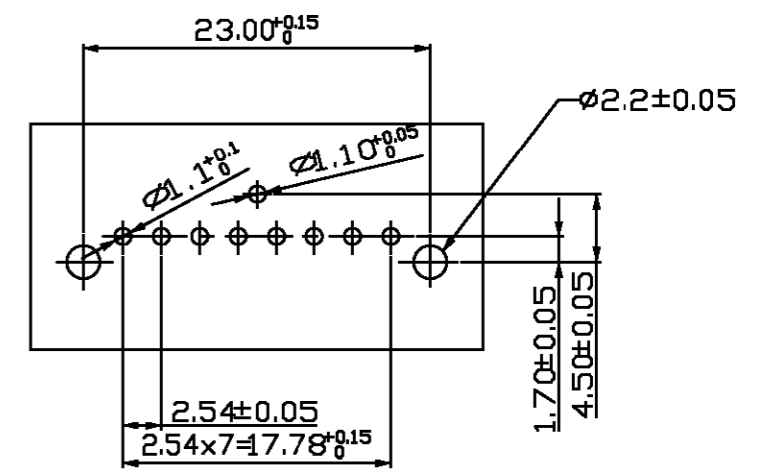
LOC	DIST	REVISIONS				
P	LTR	DESCRIPTION	DATE	DWN	APVD	
DS						
A1		REVISED (ECR-05-018779)	02.JAN.'06	CH	JK	



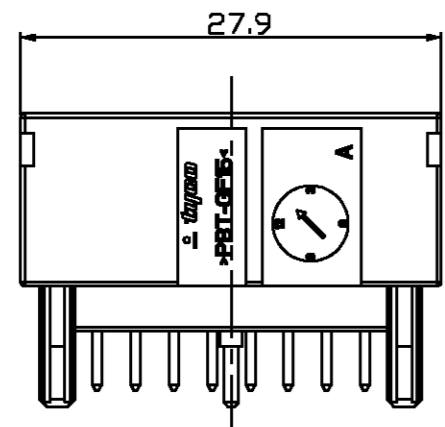
ISOMETRIC VIEW



P.C.B LAY-OUT



SECTION A-A



- NOTES
- PULL-OUT FORCE OF THE CONTACT : Min 25N WHEN V=25mm/min
  - BE MATED WITH PLUG HSG (P/N : 1743282) SMOOTHLY
  - GENERAL TOLERANCE : ±0.3, ±3°

NO	DESCRIPTION	CODE	P/N	MATERIAL	COLOR/FINISH	ASSY P/N	0-1743386-1	1-1743386-2	1-1743386-3	1-1743386-6
②	063 SQUARE CONTACT PIN		0-368314-1	PHOSPHOR BRONZE	TIN	8	8	8	8	8
A1	HEADER HSG	B	1-1743387-6	PBT-GF15	RED	-	-	-	-	1
①	HEADER HSG	B	1-1743387-3	PBT-GF15	GRAY	-	-	1	-	-
①	HEADER HSG	B	1-1743387-2	PBT-GF15	BLACK	-	1	-	-	-
①	HEADER HSG	A	0-1743387-1	PBT-GF15	NATURAL	1	-	-	-	-

<p>THIS DRAWING IS A CONTROLLED DOCUMENT FOR TYCO ELECTRONICS CORPORATION. IT IS SUBJECT TO CHANGE AND THE CONTROLLING ENGINEERING ORGANIZATION SHOULD BE CONTACTED FOR THE LATEST REVISION.</p>		<p>DWN CH PAK CHK YH CHOI APVD JK SONG</p>		<p><b>tyco</b> AMP KOREA <b>Electronics</b> kyungsan, korea</p>	
<p>DIMENSIONS: MM</p>		<p>TOLERANCES UNLESS OTHERWISE SPECIFIED</p>		<p>NAME</p>	
<p>3-d ANGLE PROJECTION</p>		<p>0 PLC ± 1 PLC ± 2 PLC ± 3 PLC ± 4 PLC ± ANGLES ±</p>		<p>PRODUCT SPEC</p>	
<p>MATERIAL SEE TABLE</p>		<p>FINISH</p>		<p>APPLICATION SPEC</p>	
		<p>WEIGHT</p>		<p>SIZE CAGE CODE DRAWING NO RESTRICTED TO</p>	
				<p>A3 00779 C= 1743386</p>	
				<p>SCALE 2:1 SHEET 1 OF 1 REV A1</p>	