

4

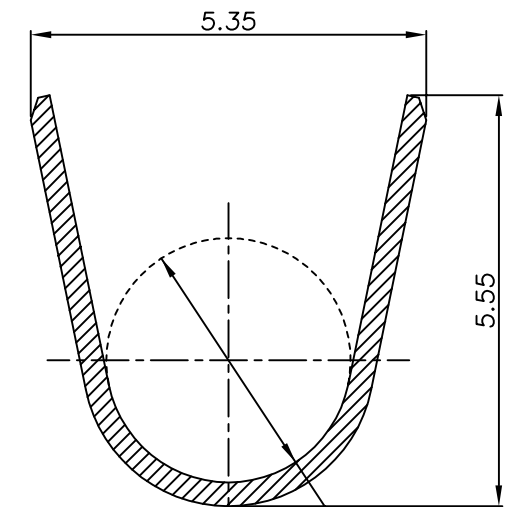
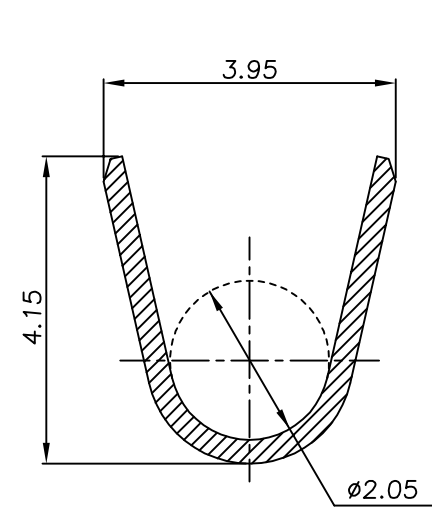
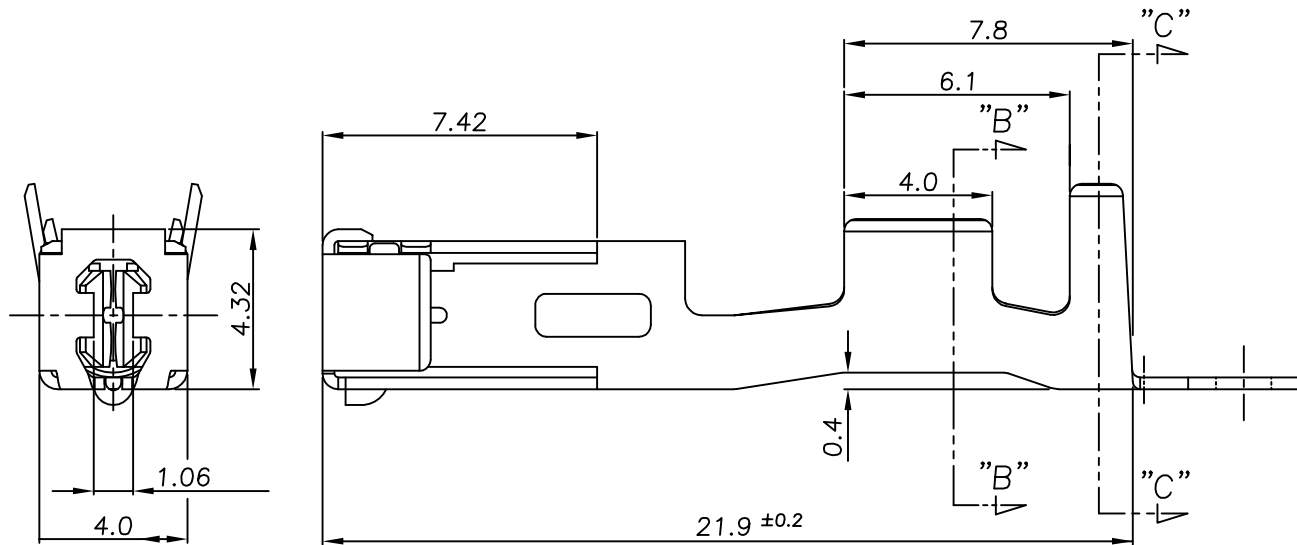
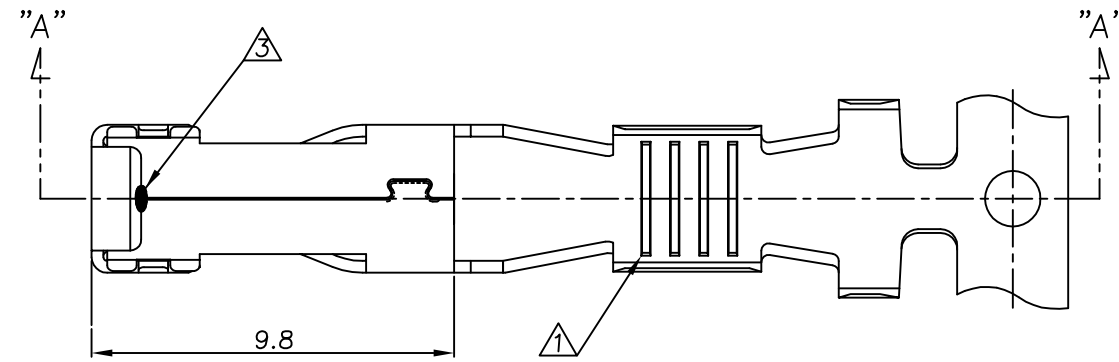
3

2

1

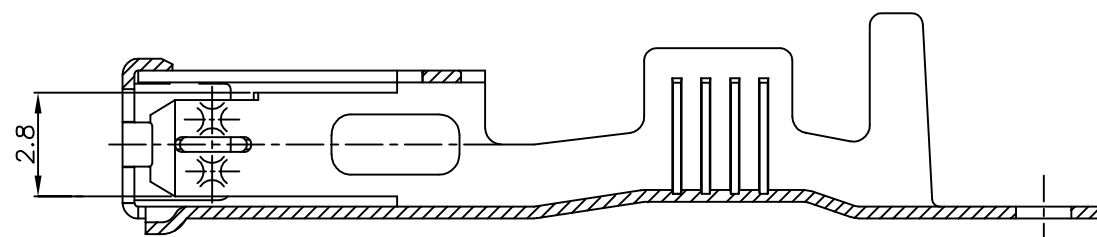
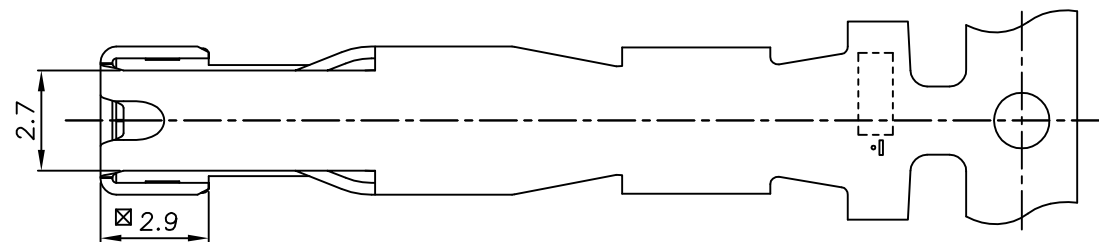
THIS DRAWING IS UNPUBLISHED. RELEASED FOR PUBLICATION
COPYRIGHT BY TYCO ELECTRONICS CORPORATION. ALL RIGHTS RESERVED.

LOC	DIST	REVISIONS					
		P	LTR	DESCRIPTION	DATE	DWN	APVD
DS	-		C	REVISED (ECR-17-005900)	26.APR.'17	KT, J	KT, L



SECTION "B-B"
Scale 10/1

SECTION "C-C"
Scale 10/1




SECTION "A-A"

NOTE;

- ▲ THREE SERRATIONS CENTERED IN WIRE BARREL.
- 2 WIRE SIZE EQUIV 3.0SQ/12AWG
APPLICATION SPEC: 114-61033
- △ WELDING POINT

THIS DRAWING IS A CONTROLLED DOCUMENT FOR TYCO ELECTRONICS CORPORATION
IT IS SUBJECT TO CHANGE AND THE CONTROLLING ENGINEERING ORGANIZATION
SHOULD BE CONTACTED FOR THE LATEST REVISION.

DIMENSIONS: MM	TOLERANCES UNLESS OTHERWISE SPECIFIED: 0 <XX<10 ± 0.25 10<XX<30 ± 0.3 ANGLES ± 3°
MATERIAL SEE TABLE	FINISH SEE TABLE

PRE-TINNED	CuNiSi Alloy 0.32THK.	1743465-1
FINISH	MATERIAL	PART NO
DWN YH CHOUNG CHK YM CHOI	02NOV2005	 TE Connectivity
APVD JK SONG	PRODUCT SPEC -	
APPLICATION SPEC 114-61033	WEIGHT -	SIZE A3
CUSTOMER DRAWING	SCALE 5/1	CAGE CODE 00779
	SHEET 1 OF 1	DRAWING NO C-1743465
	REV C	RESTRICTED TO -