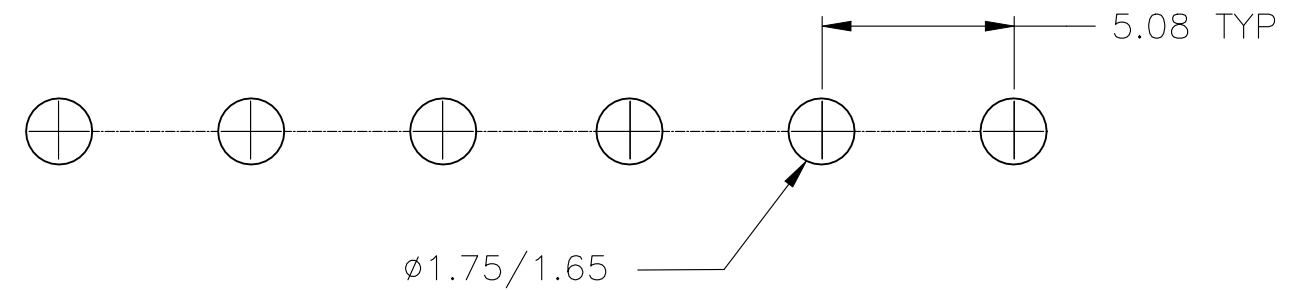
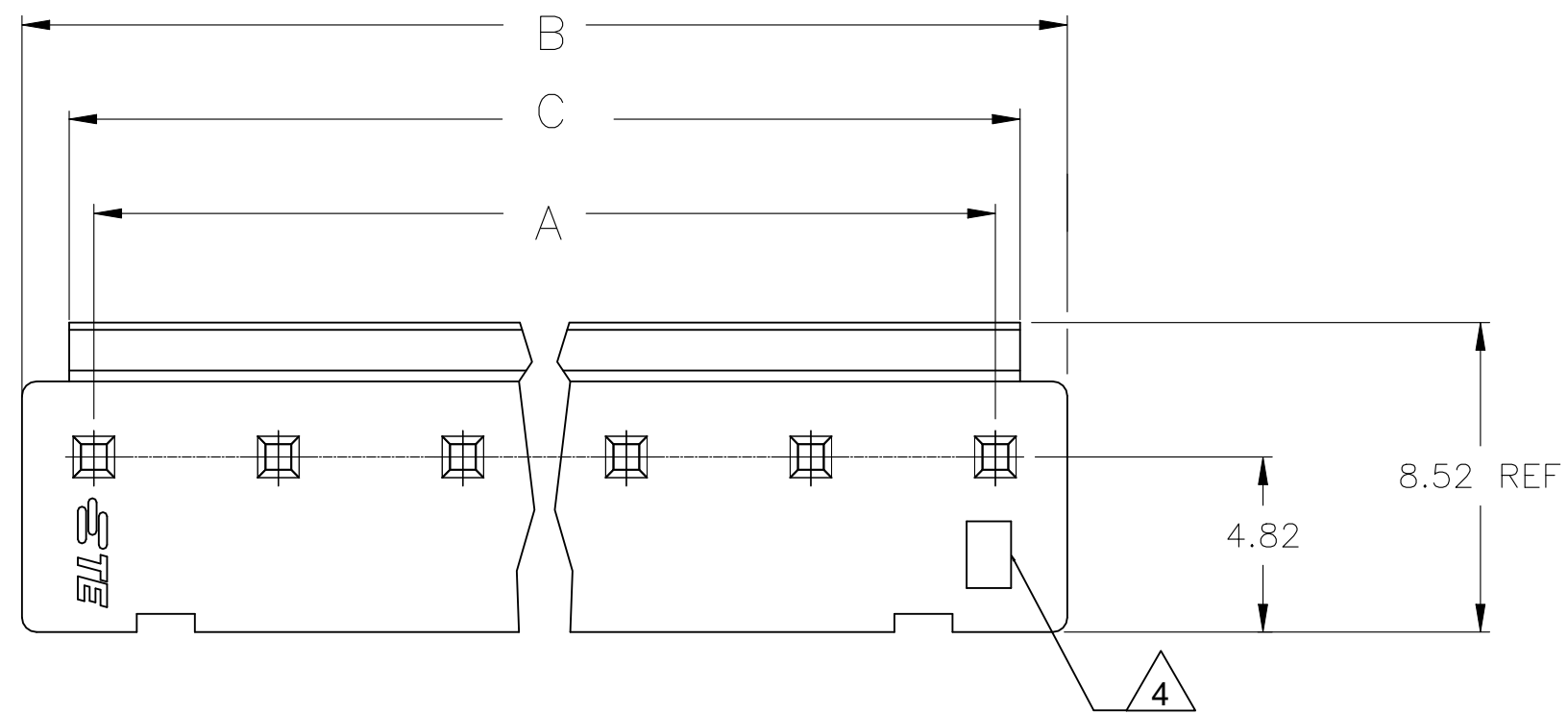
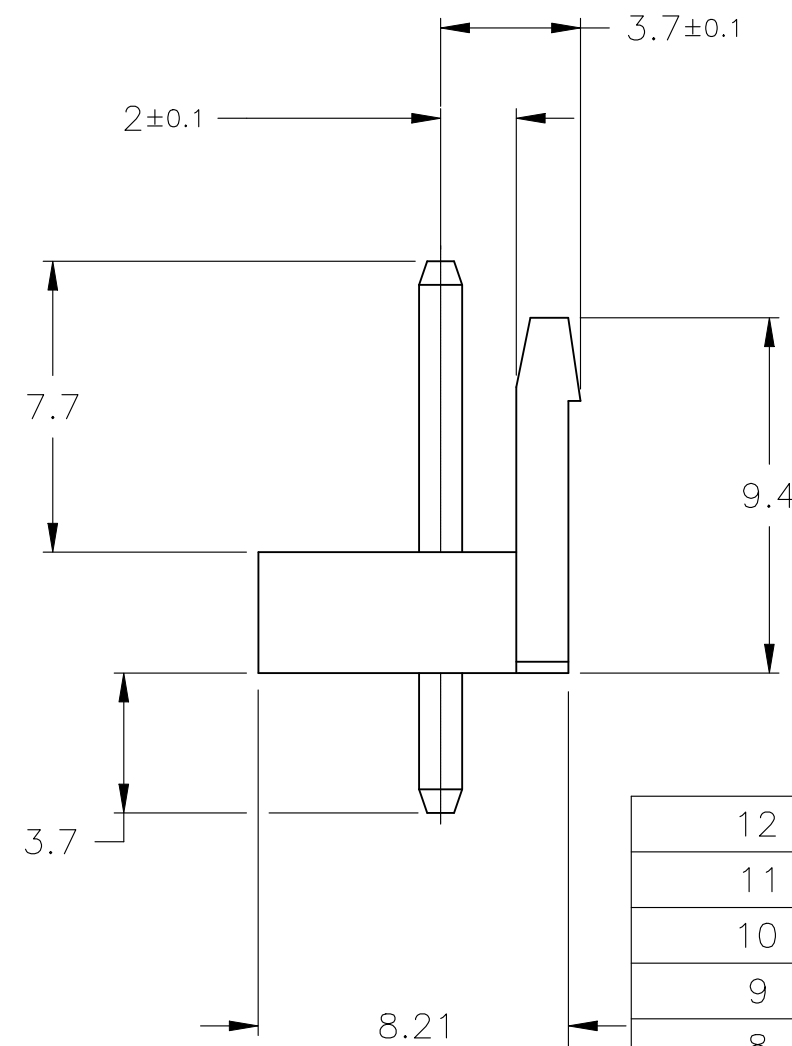
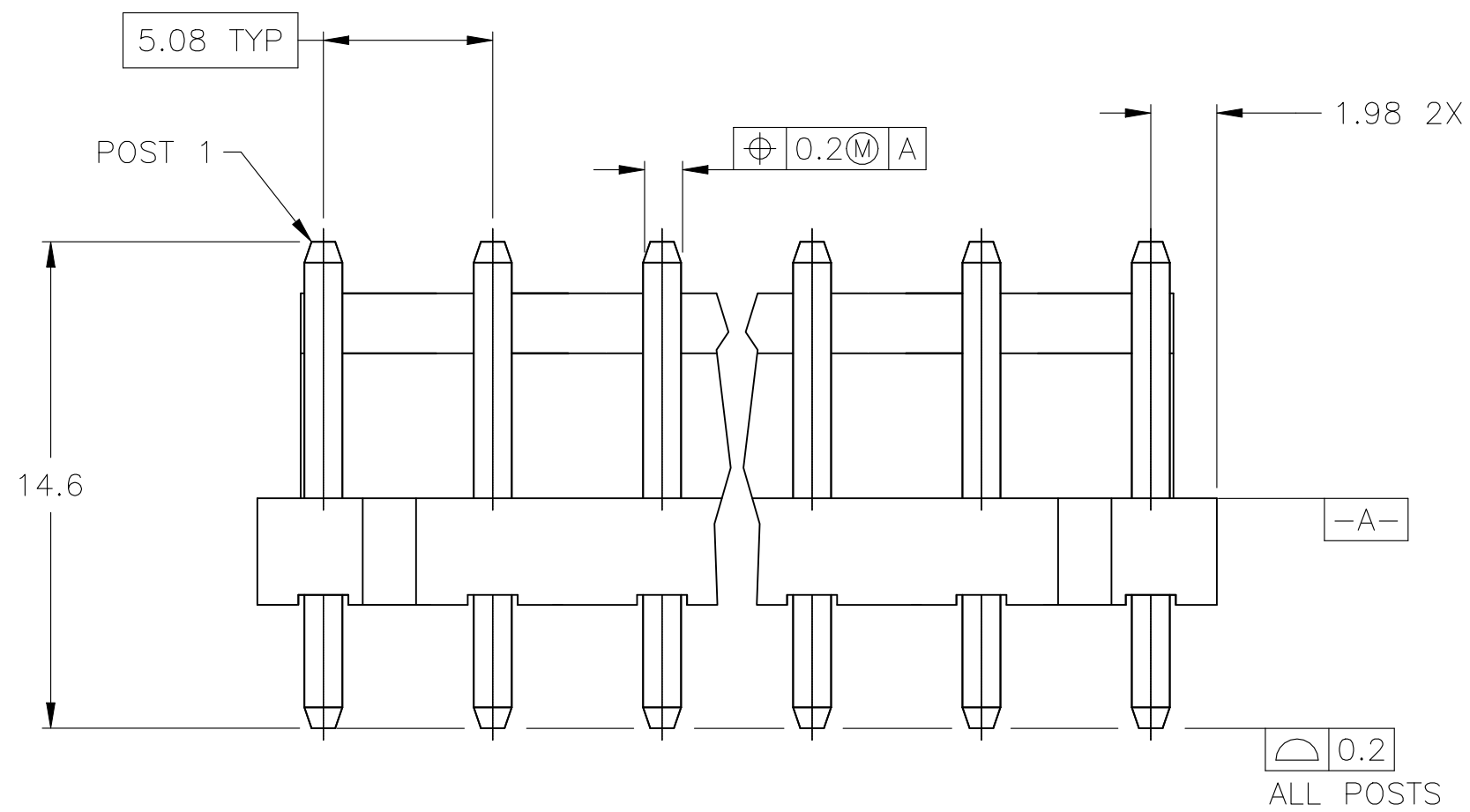


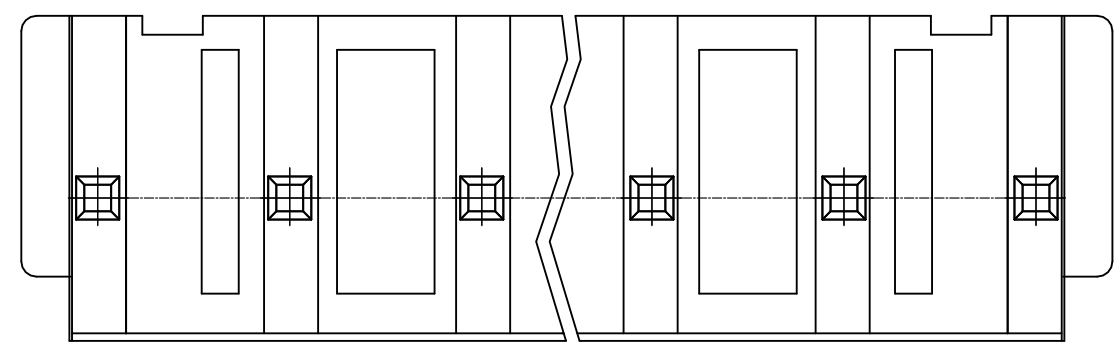
REVISIONS					
P	LTR	DESCRIPTION	DATE	DWN	APVD
B2		REVISED PER ECR-23-165580	13FEB2023	N.H	L.C



RECOMMENDED PC BOARD LAYOUT



1. HOUSING MATERIAL: NYLON 66, UL94V-0, NATURAL.
2. CONTACT MATERIAL: COPPER ALLOY
3. CONTACT PLATING: 0.003MM MIN TIN OVER 0.001MM MIN NICKEL
4. MANUFACTURING LOCATION MARKS TO APPEAR APPROXIMATELY AS SHOWN.

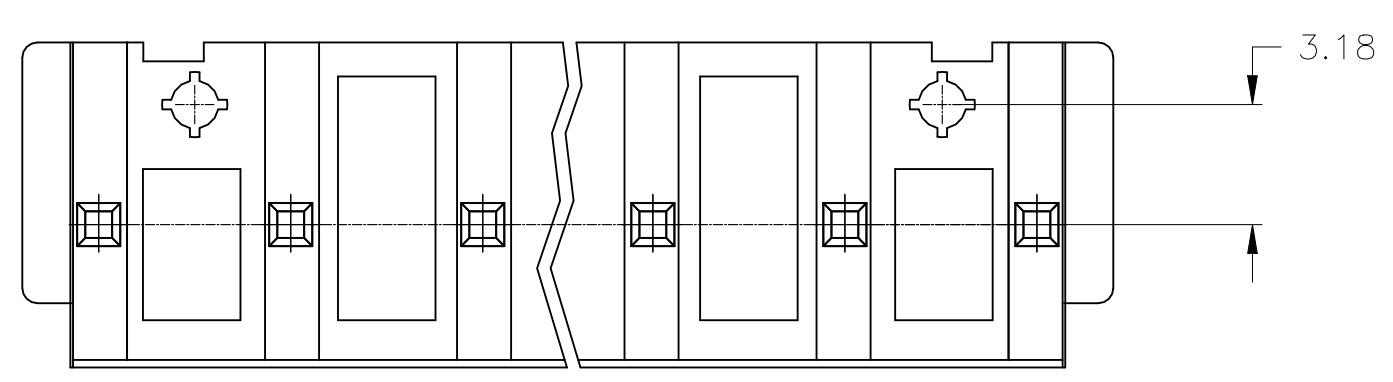
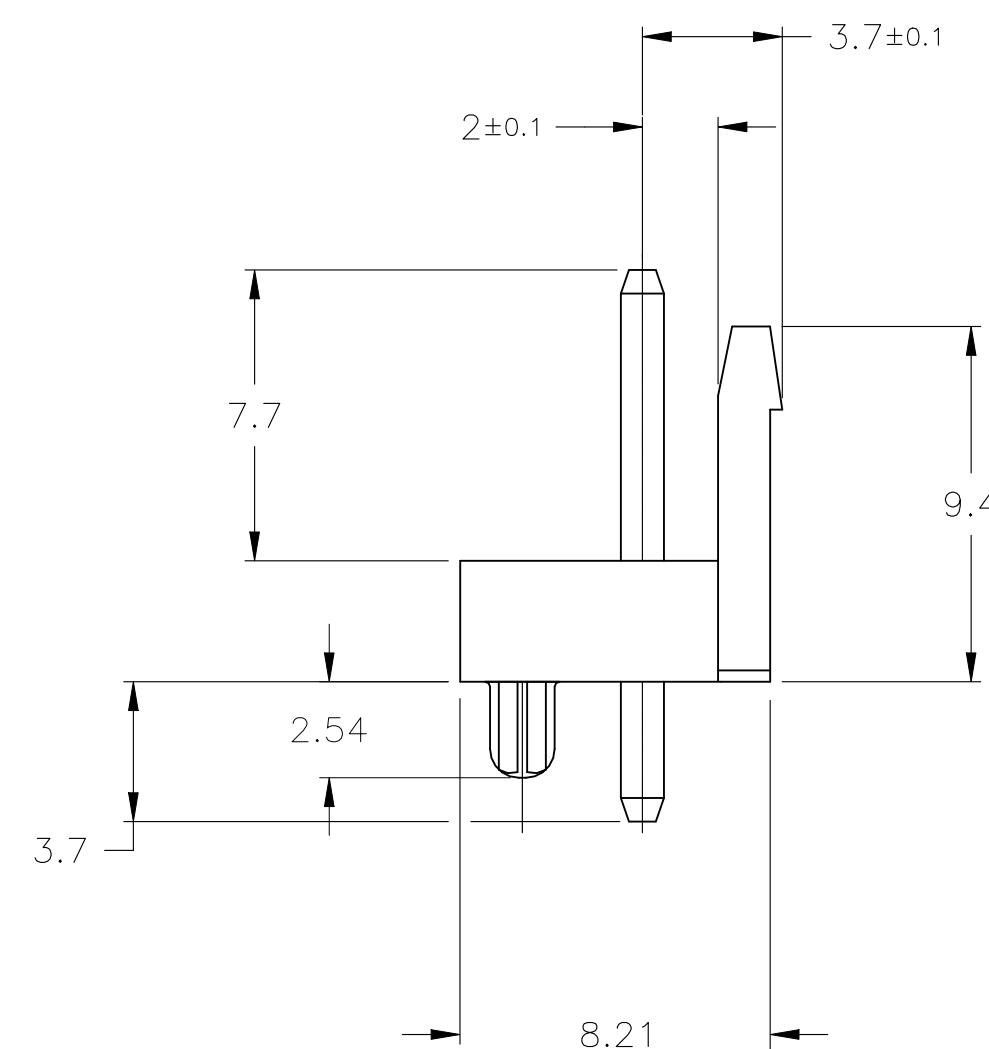
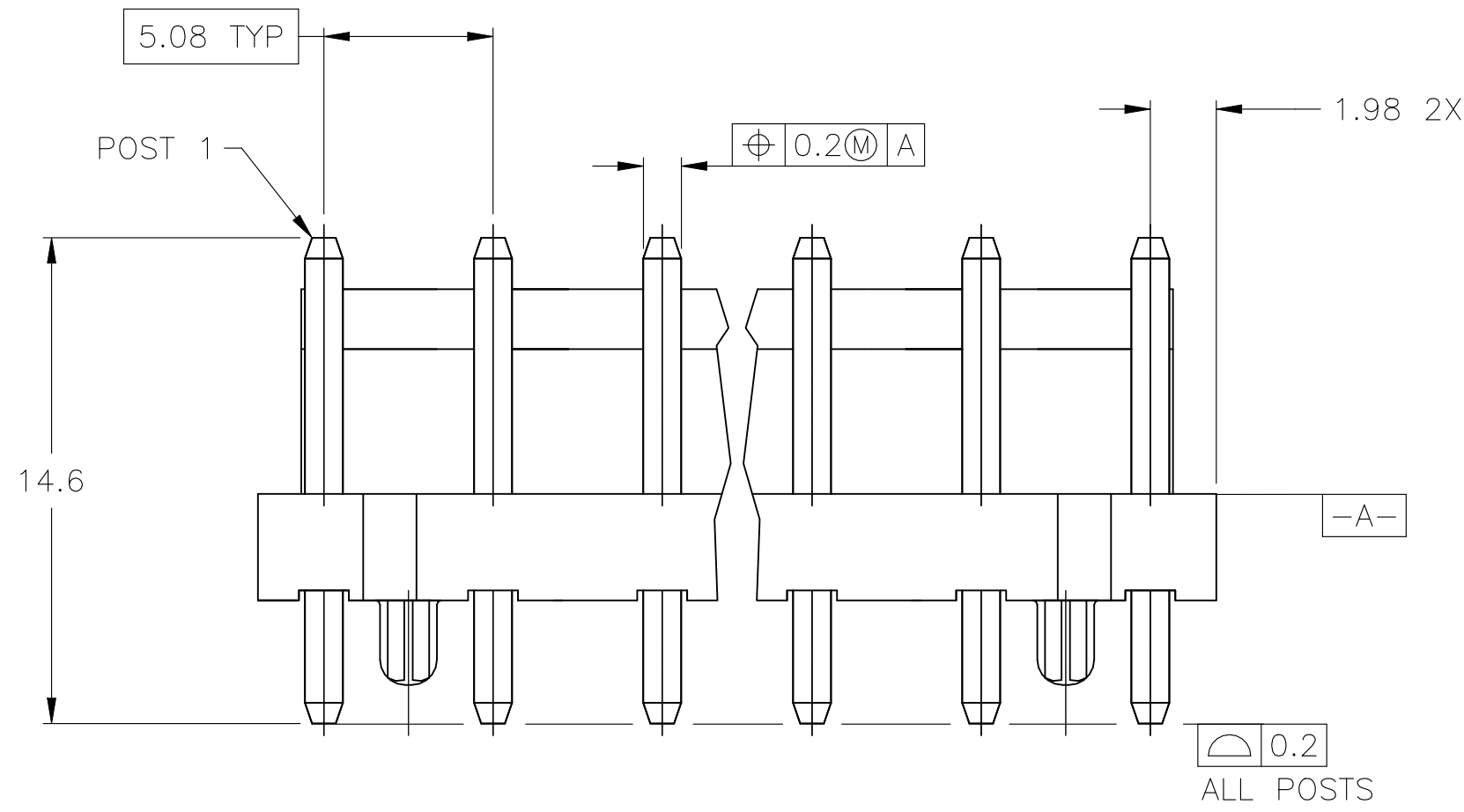
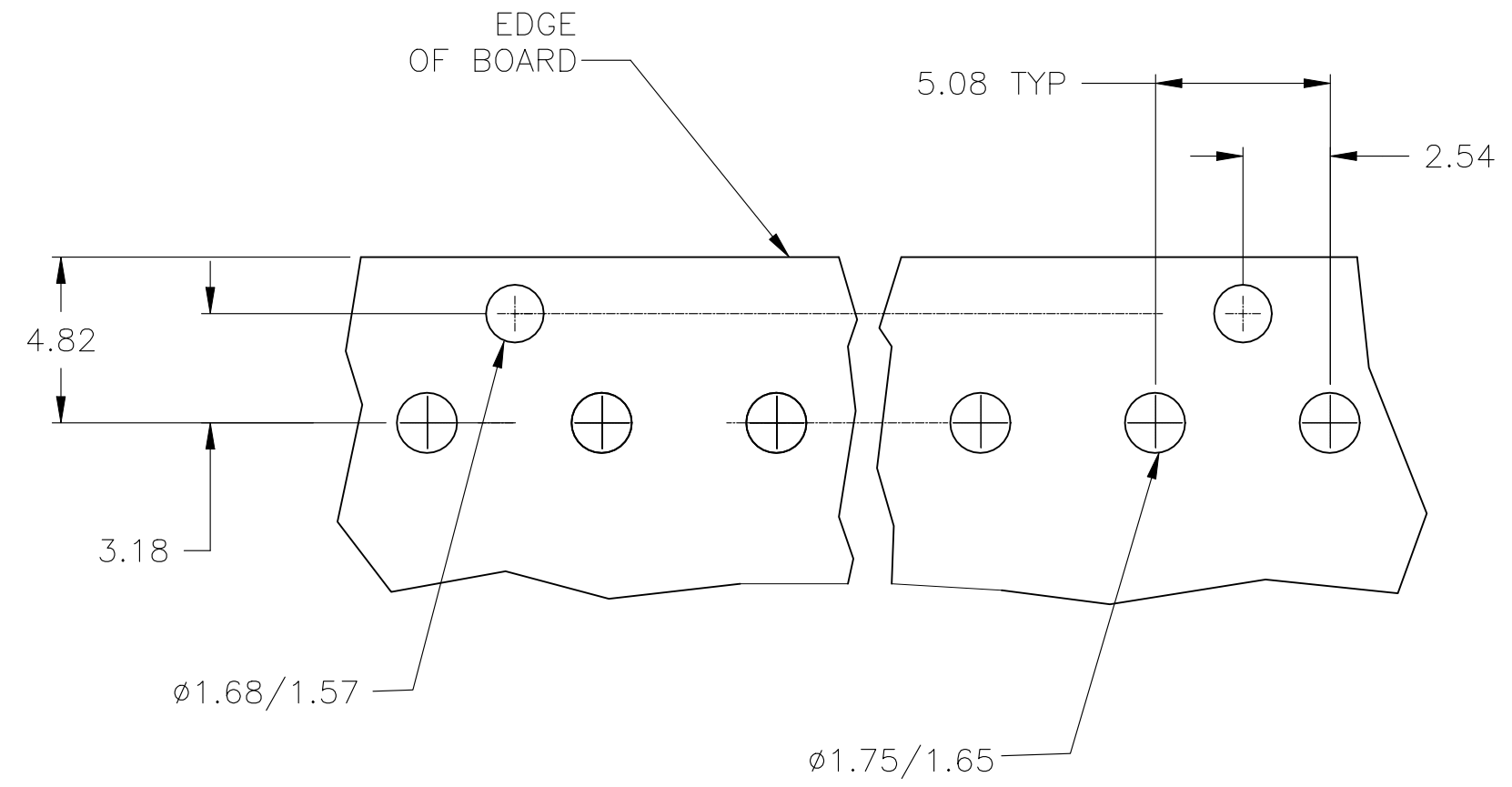
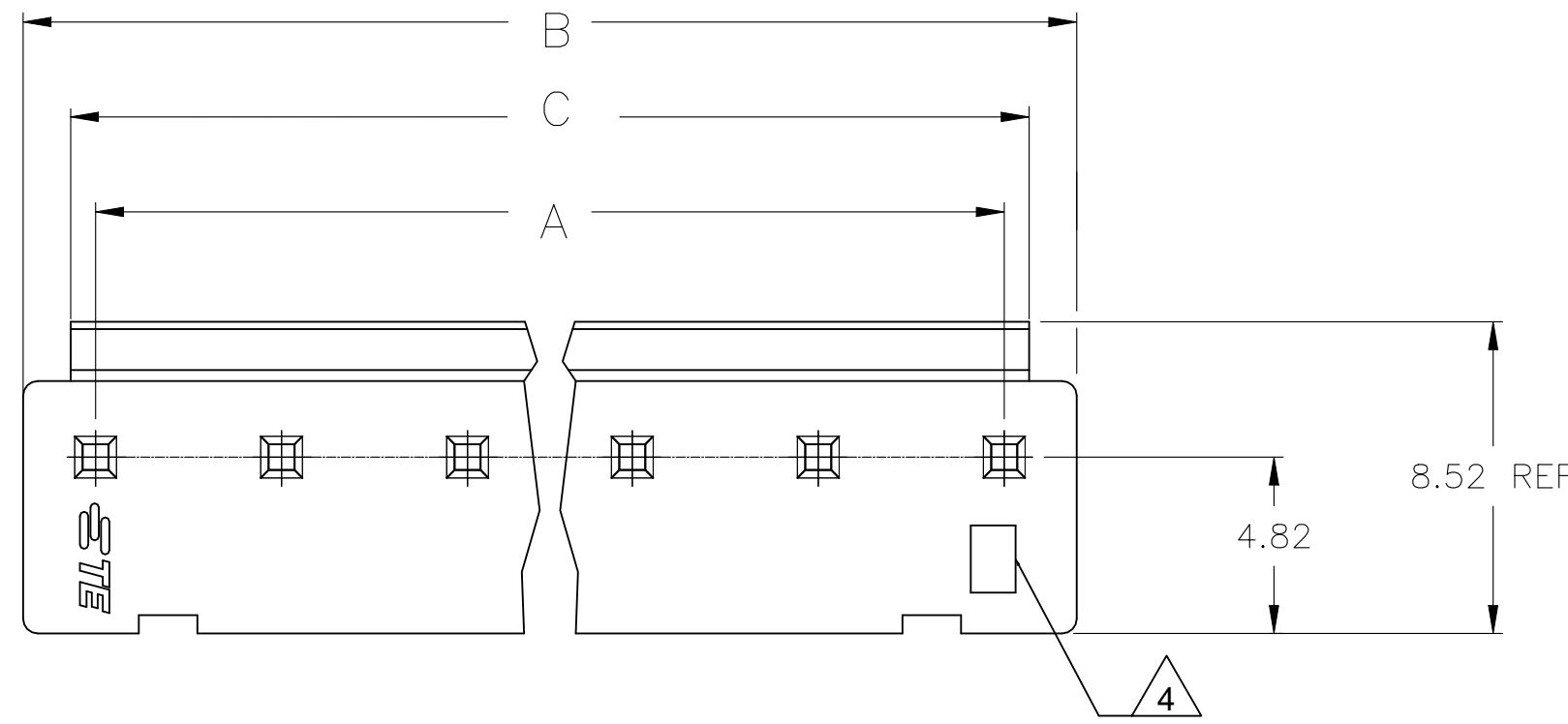


12	57.22	59.84	55.88	1-1744037-2
11	52.14	54.76	50.8	1-1744037-1
10	47.06	49.68	45.72	1-1744037-0
9	41.98	44.6	40.64	1744037-9
8	36.9	39.52	35.56	1744037-8
7	31.82	34.44	30.48	1744037-7
6	26.74	29.36	25.4	1744037-6
5	21.66	24.28	20.32	1744037-5
4	16.58	19.2	15.24	1744037-4
3	11.5	14.12	10.16	1744037-3
2	6.42	9.04	5.08	1744037-2
NO OF POSITIONS	DIM C ±0.2	DIM B ±0.3	DIM A ±0.3	PART NUMBER

THIS DRAWING IS A CONTROLLED DOCUMENT.

DIMENSIONS: mm [INCHES]	TOLERANCES UNLESS OTHERWISE SPECIFIED: 0 PLC ± - 1 PLC ± 0.25 2 PLC ± 0.15 3 PLC ± - 4 PLC ± - ANGLES ± -	DWN S. HOOVER 01-APR-2004 CHK J. ELLIS 01-APR-2004 APVD J. ELLIS 01-APR-2004	NAME TE Connectivity
MATERIAL SEE NOTES	FINISH	PRODUCT SPEC 108-5609 APPLICATION SPEC 114-32134	SIZE A2 CAGE CODE 00779 DRAWING NO. C=1744037 RESTRICTED TO -
		WEIGHT	SCALE N/A SHEET 1 OF 2 REV B2
		CUSTOMER DRAWING	

REVISIONS					
P	LTR	DESCRIPTION	DATE	DWN	APVD
-	-	SEE SHEET 1	-	-	-



6	26.74	29.36	25.4	3-1744037-6
NO OF POSITIONS	DIM C ± 0.2	DIM B ± 0.3	DIM A ± 0.3	PART NUMBER

THIS DRAWING IS A CONTROLLED DOCUMENT.		DWN S. HOOVER 01-APR-2004		
DIMENSIONS: mm [INCHES]		CHK J. ELLIS 01-APR-2004		
TOLERANCES UNLESS OTHERWISE SPECIFIED:		APVD J. ELLIS 01-APR-2004	NAME TE Connectivity	
0 PLC \pm -		PRODUCT SPEC 108-5609	HEADER ASSEMBLY-ECONOMY POWER VERTICAL, .200 CENTERLINE	
1 PLC \pm 0.25		APPLICATION SPEC 114-32134	SIZE A2	CAGE CODE 00779
2 PLC \pm 0.15		WEIGHT -	DRAWING NO C=1744037	RESTRICTED TO -
3 PLC \pm -		MATERIAL SEE NOTES	SCALE N/A	SHEET 2 OF 2
4 PLC \pm -		FINISH	REV B2	
ANGLES \pm -		CUSTOMER DRAWING		