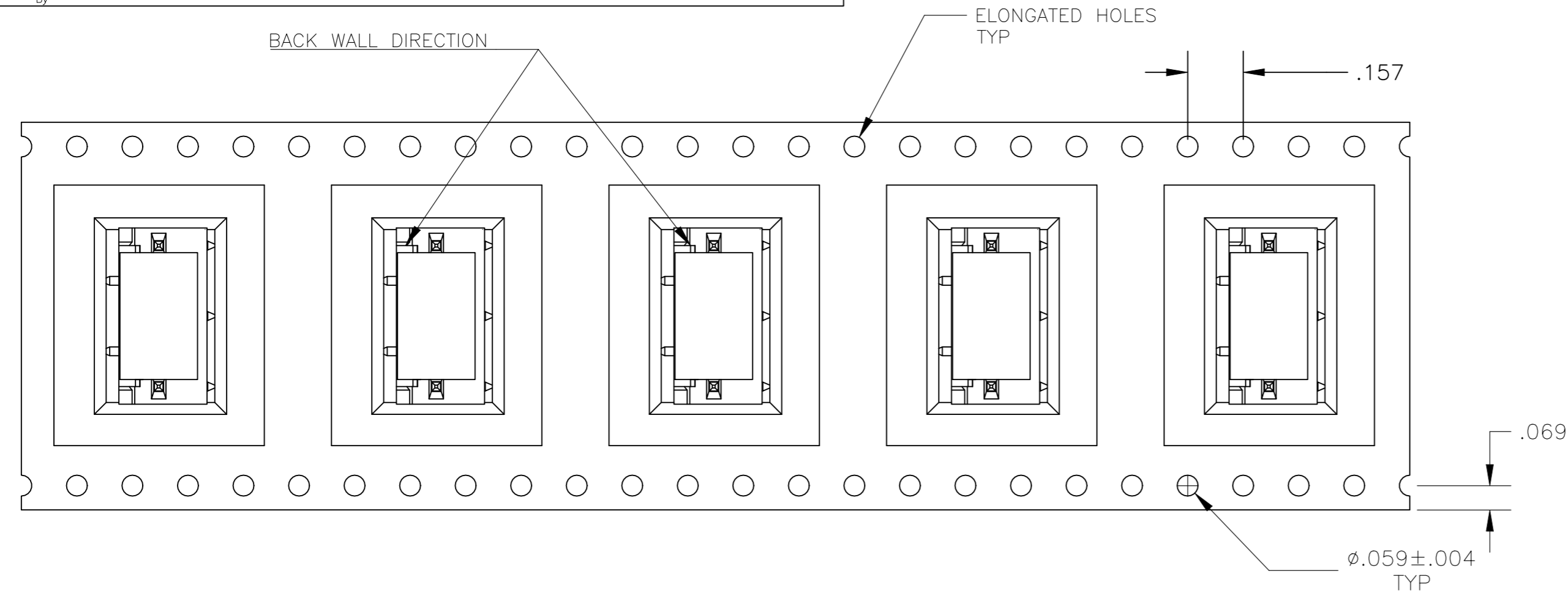
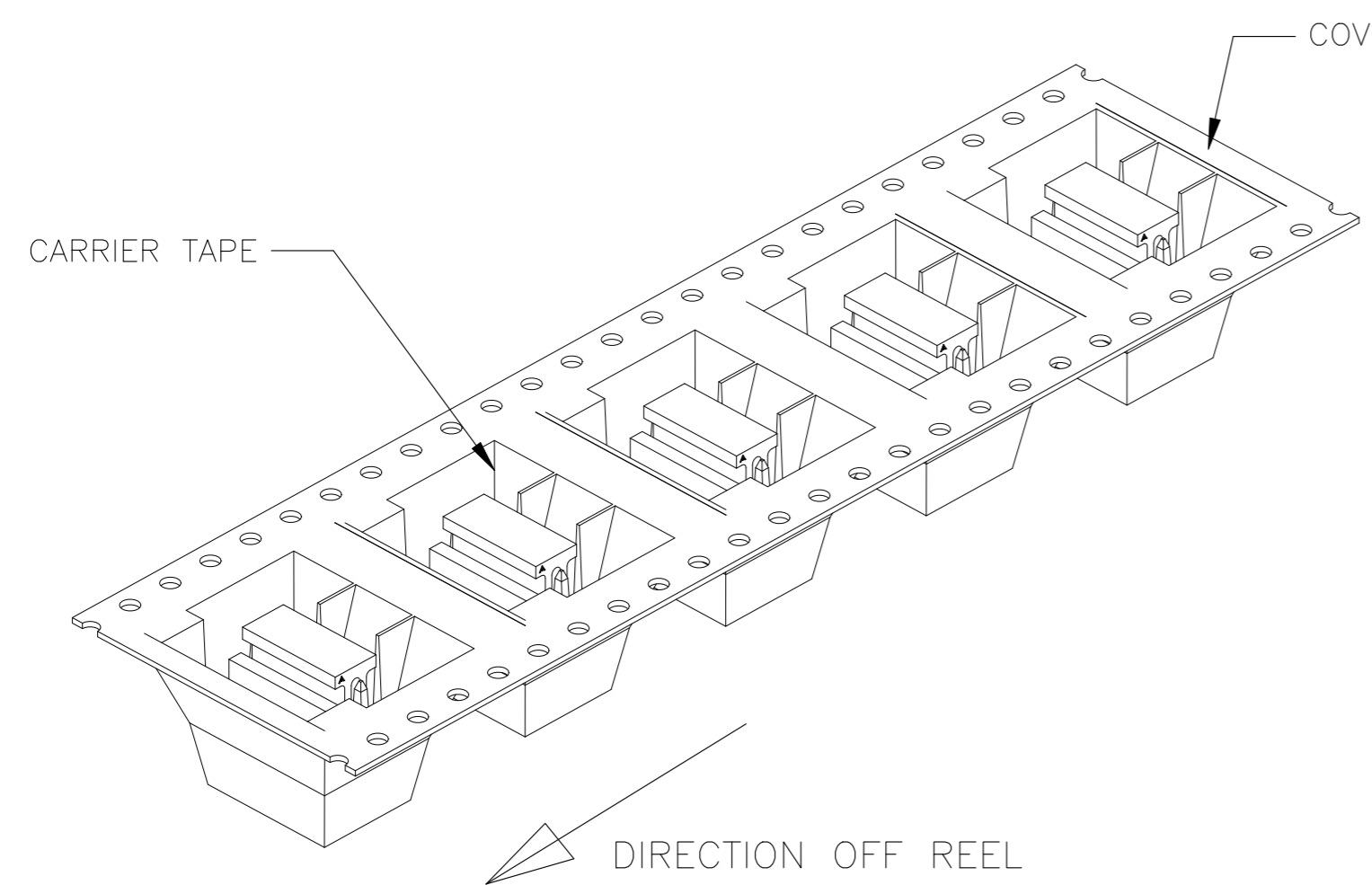
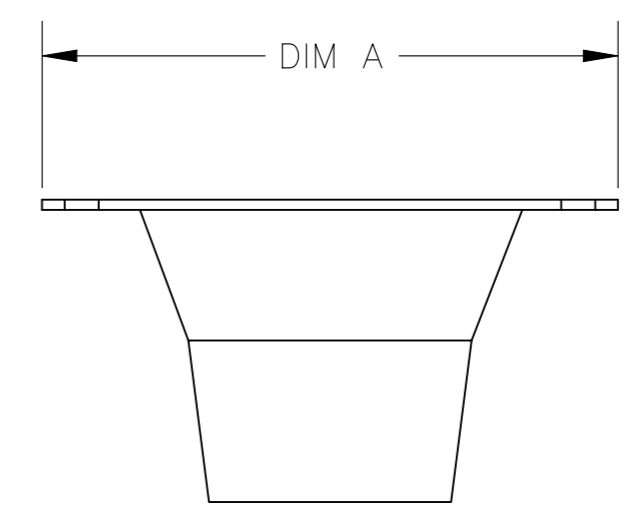
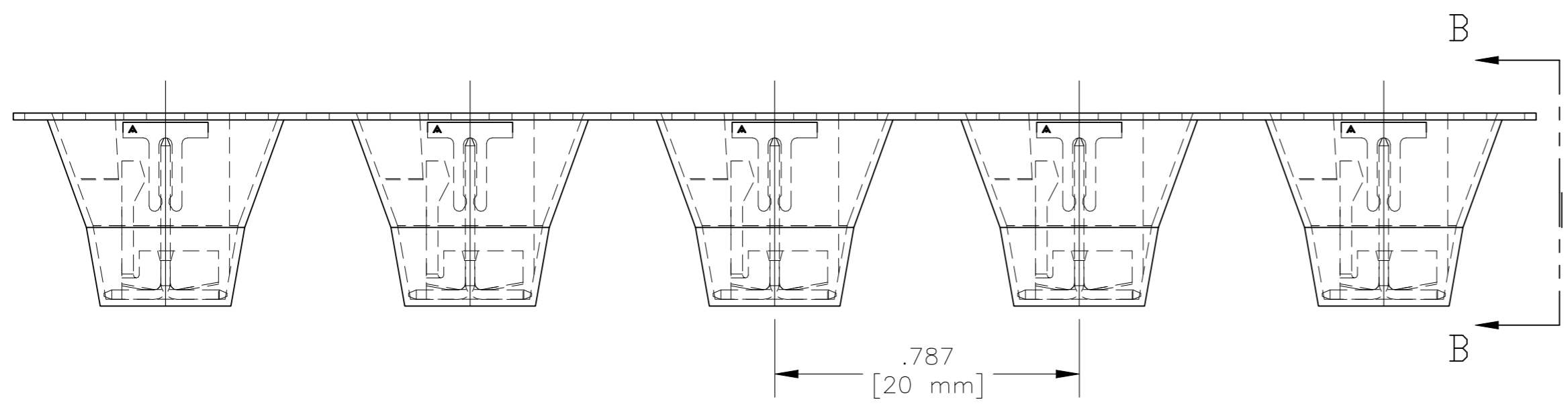


THIS DRAWING IS UNPUBLISHED. RELEASED FOR PUBLICATION
 © COPYRIGHT - By - ALL RIGHTS RESERVED.

REVISIONS					
P	LTR	DESCRIPTION	DATE	DWN	APVD
B		REVISED PER ECR-23-182036	07AUG2023	AK	JP



- 1 MATERIAL:
HOUSING- NYLON, UL94V-0, BLACK
CONTACT- COPPER ALLOY
CAVITY CARRIER TAPE- BLACK CONDUCTIVE PLOYCARBONATE
- 2 FINISH:
CONTACT - TIN PLATE
- 3 POST TO WITHSTAND 13 NEWTONS [3 LBS] MIN AXIAL FORCE IN THIS DIRECTION WITHOUT DISLODGING, BEFORE SOLDERING.
- 4 POSTS SOLDER TAILS MUST COMPLY WITH TE SOLDERABILITY SPEC 109-11-2.
- 5 MEASURED AT $\square A$
- 6 APPLIES WHEN HEADER IS HELD STRAIGHT
- 7 COORDINATE DIM APPLIES FROM CENTER OF ACTUAL FEATURE.
- 8 DIMENSION APPLY TO THE COMPONENT SIDE OF BOARD
- 9 MAX TEMP EXPOSURE DURING REFLOW SOLDERING MAY NOT EXCEED 280°C [536°F].
- 10 HEADERS ARE SUPPLIED ON A 330.2mm [13] DIAMETER REEL WITH 225 PARTS PER REEL. THE CAVITY CARRIER TAPE HOLDS 1 PART PER POCKET, ORIENTED AS SHOWN.
- 11 TE LOGO, UL AND CSA TRADEMARKS MARKED AT THIS LOCATION



OBSOLETE	1.73 [44mm]	972366-5	1-1706504-2	147117-5	12	4-647166-2	1-1744382-2
	1.73 [44mm]	972366-5	1706504-8	147117-5	8	3-647166-8	1744382-8
	1.73 [44mm]	972366-5	1706504-7	147117-5	7	3-647166-7	1744382-7
	1.73 [44mm]	972366-5	1706504-6	147117-5	6	3-647166-6	1744382-6
	1.26 [32mm]	972366-4	1706504-5	147117-5	5	3-647166-5	1744382-5
	DIM A	COVER TAPE	CARRIER TAPE	PICK AND PLACE CAP	NO. OF POSITIONS	HEADER ASSEMBLY	PART NO

THIS DRAWING IS A CONTROLLED DOCUMENT.

DWN jr ruth 30MAR11
 CHK SAM MACE 30MAR11
 APVD SAM MACE 30MAR11

TE TE Connectivity

NAME MTA100 HEADER ASSY, SURFACE MOUNT, FRICTION LOCK, .025 SQ. POST, TAPE W/CAP

PRODUCT SPEC 108-1050
 APPLICATION SPEC 114-1019

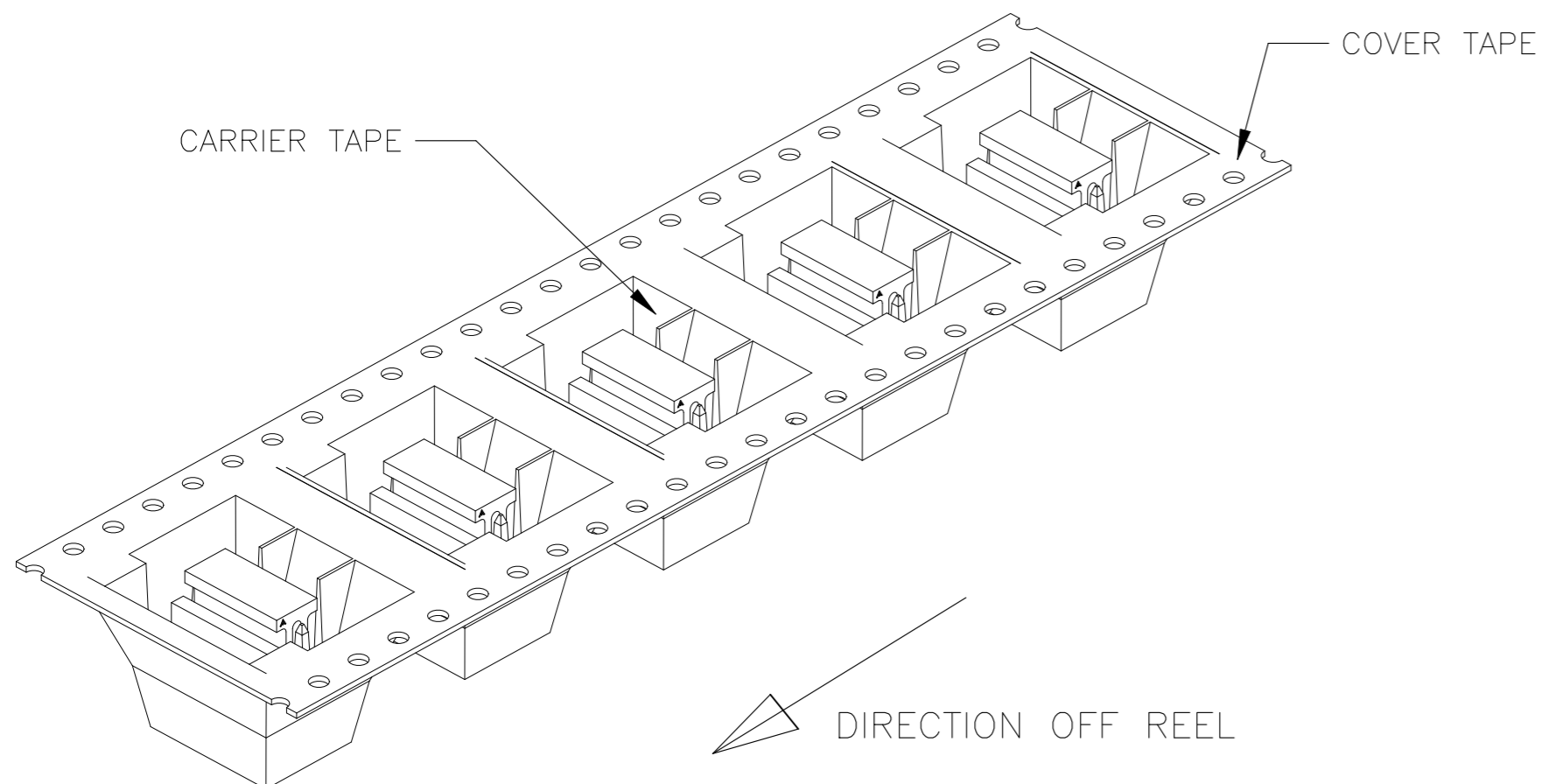
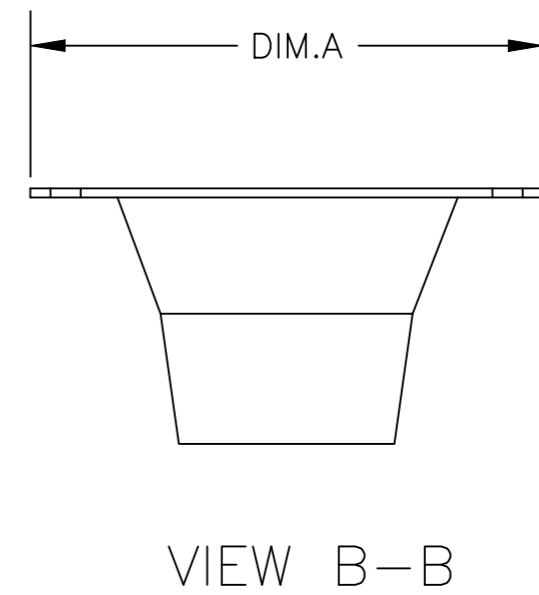
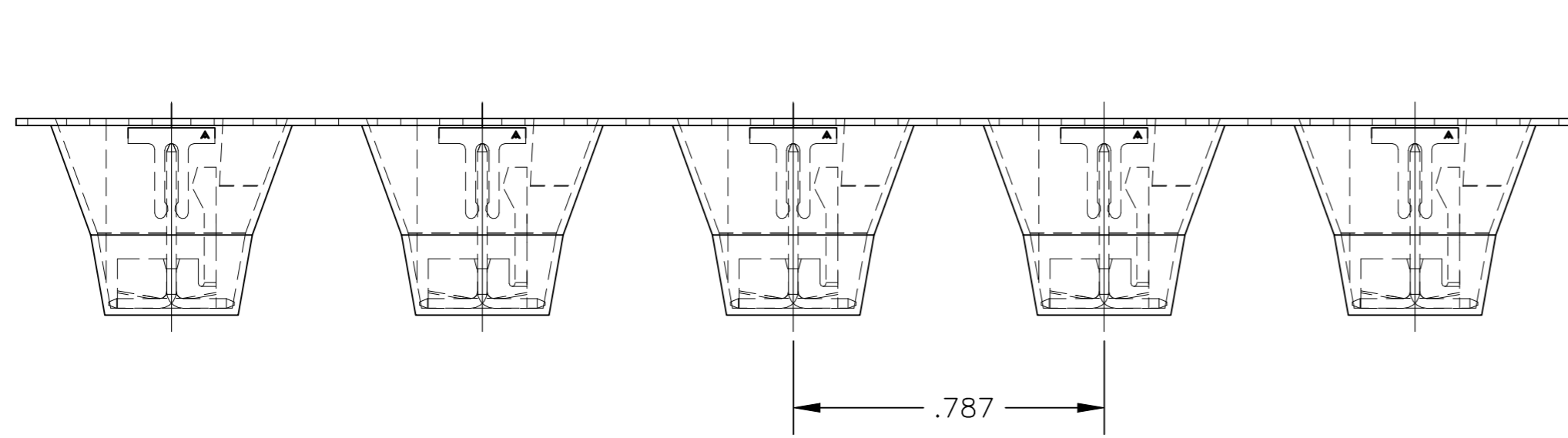
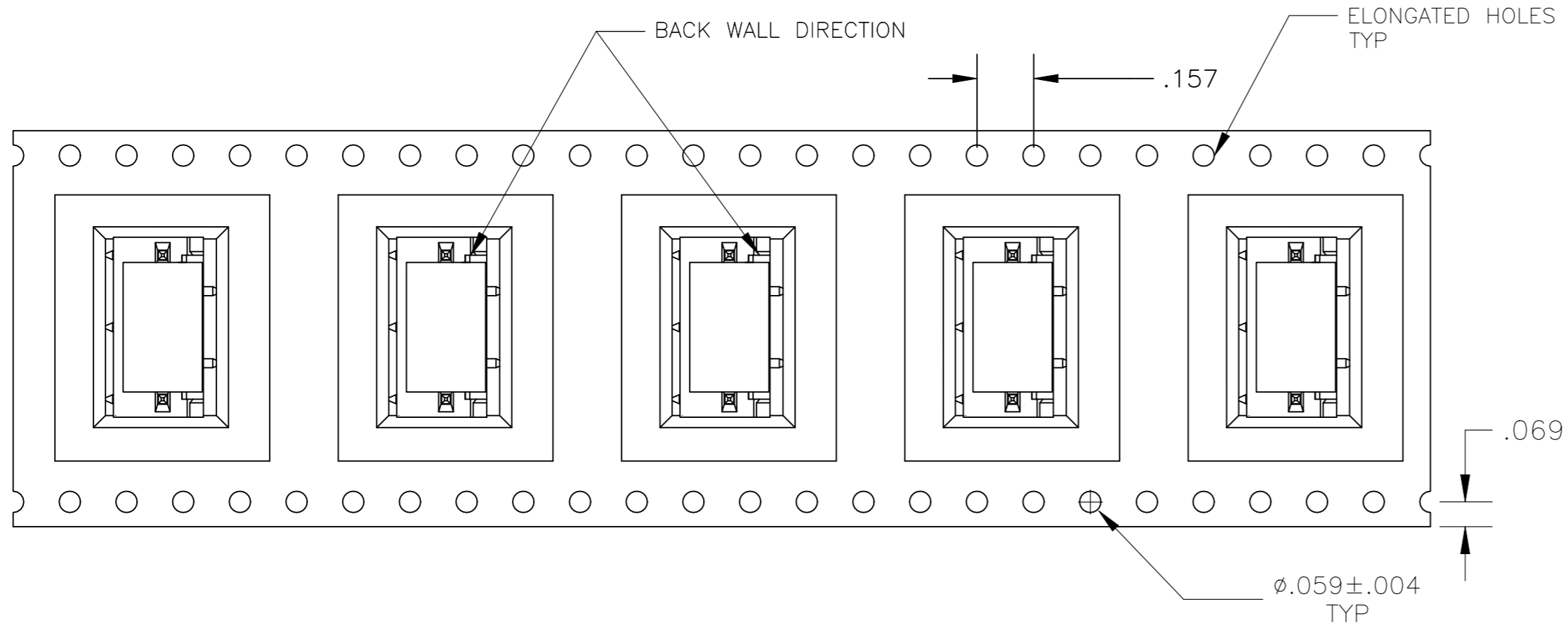
SIZE A2 CAGE CODE 00779 DRAWING NO. C=1744382 RESTRICTED TO -

MATERIAL - FINISH - WEIGHT - SCALE 3:1 SHEET 1 of 4 REV B

CUSTOMER DRAWING

THIS DRAWING IS UNPUBLISHED. RELEASED FOR PUBLICATION
 © COPYRIGHT - By - ALL RIGHTS RESERVED.

REVISIONS					
P	LTR	DESCRIPTION	DATE	DWN	APVD
-	-	SEE SHEET 1	-	-	-



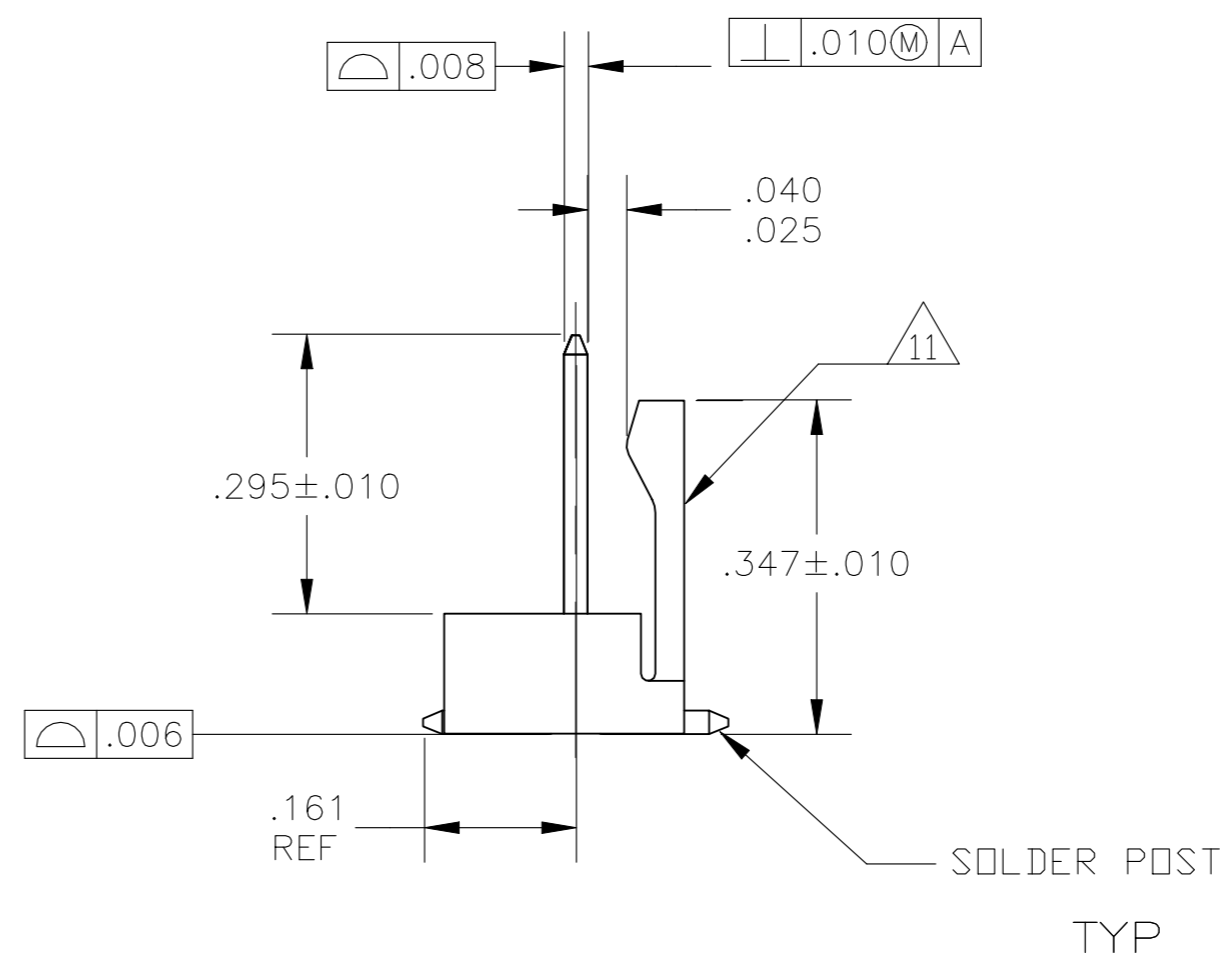
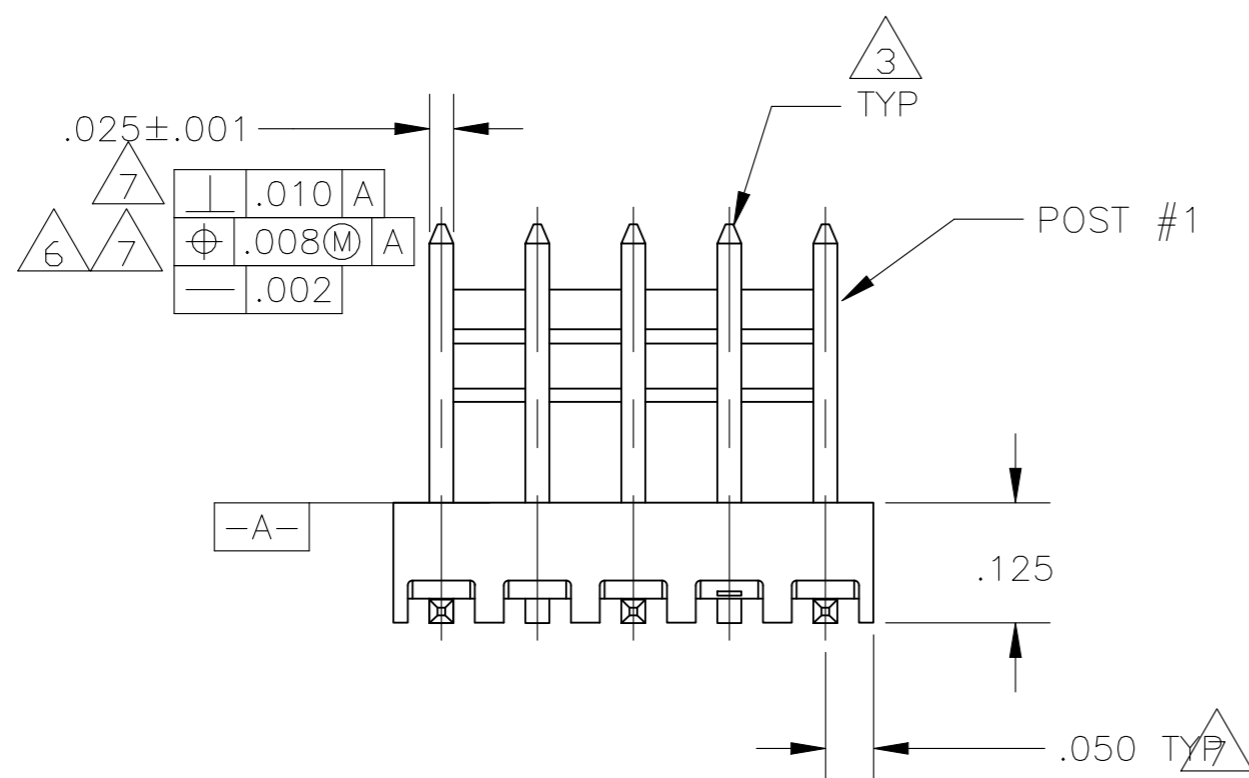
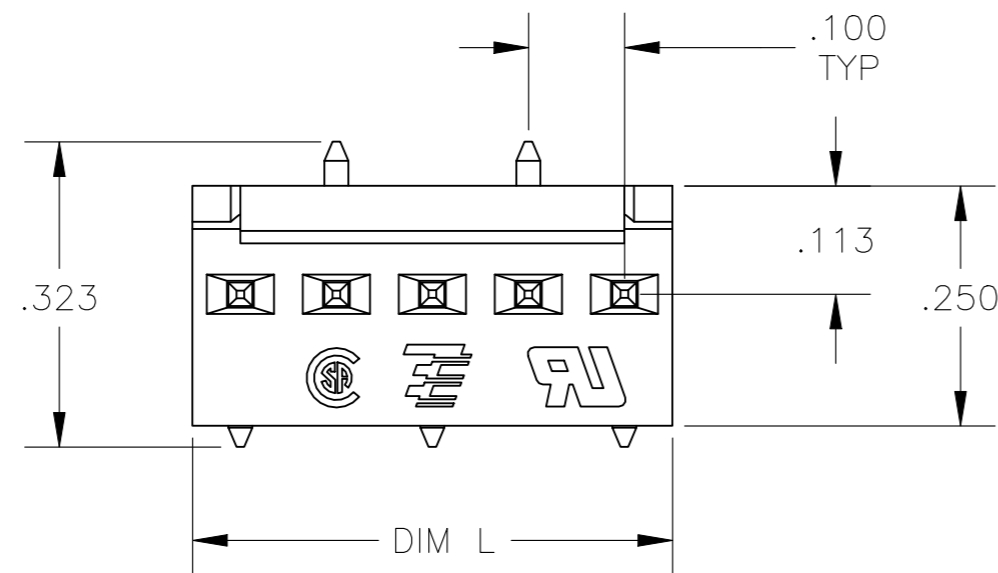
1.26 [32mm]	972366-4	1706504-4	147117-5	4	3-647166-4	1744382-4
DIM A	COVER TAPE	CARRIER TAPE	PICK AND PLACE CAP	NO. OF POSITIONS	HEADER ASSEMBLY	PART NO

THIS DRAWING IS A CONTROLLED DOCUMENT.		DWN jr ruth 30MAR11		MTA100 HEADER ASSY, SURFACE MOUNT, FRICTION LOCK, .025 SQ. POST, TAPE W/CAP
DIMENSIONS: INCHES		CHK SAM MACE 30MAR11		
TOLERANCES UNLESS OTHERWISE SPECIFIED:		APVD SAM MACE 30MAR11		
0 PLC ± - 1 PLC ± - 2 PLC ± - 3 PLC ± .015 4 PLC ± - ANGLES ± 1°		PRODUCT SPEC 108-1050 APPLICATION SPEC 114-1019		
MATERIAL	FINISH	WEIGHT	SIZE A2	CAGE CODE 00779
		CUSTOMER DRAWING	DRAWING NO C=1744382	RESTRICTED TO -
			SCALE 3:1	SHEET 2 of 4
			REV B	

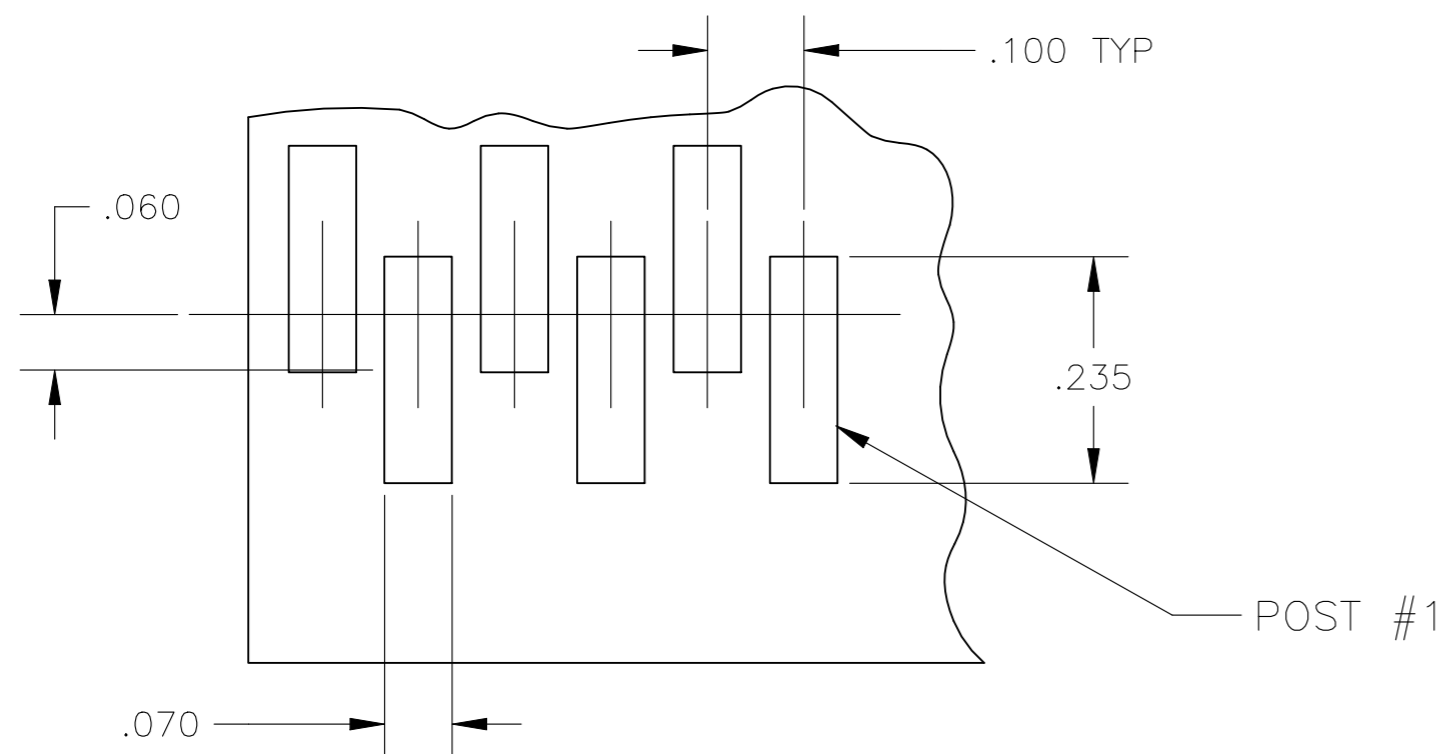
1744382

THIS DRAWING IS UNPUBLISHED. RELEASED FOR PUBLICATION
 © COPYRIGHT - By - ALL RIGHTS RESERVED.

REVISIONS				
P	LTR	DESCRIPTION	DATE	APVD
-	-	SEE SHEET 1	-	-



MTA-100 HEADER SHOWN



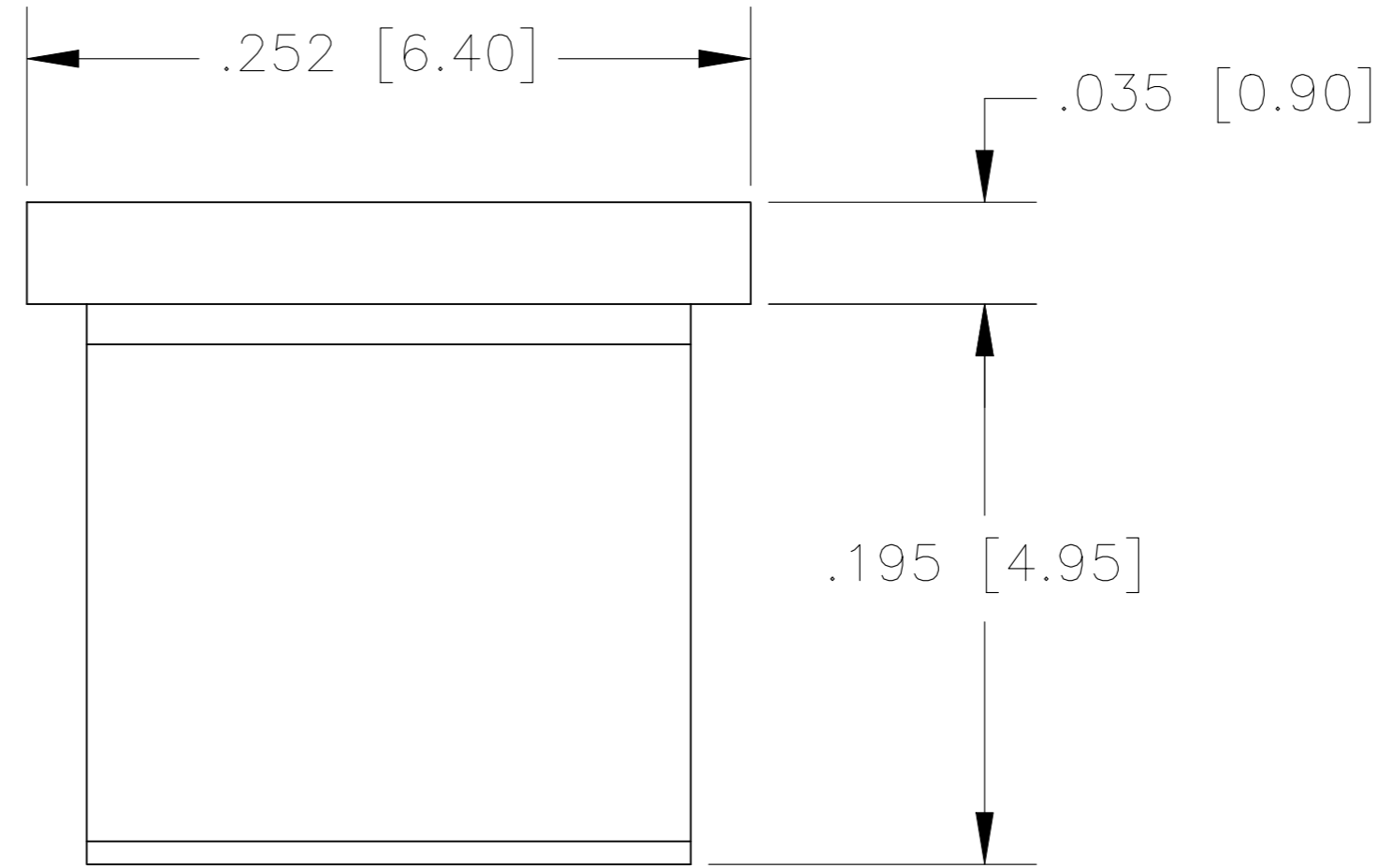
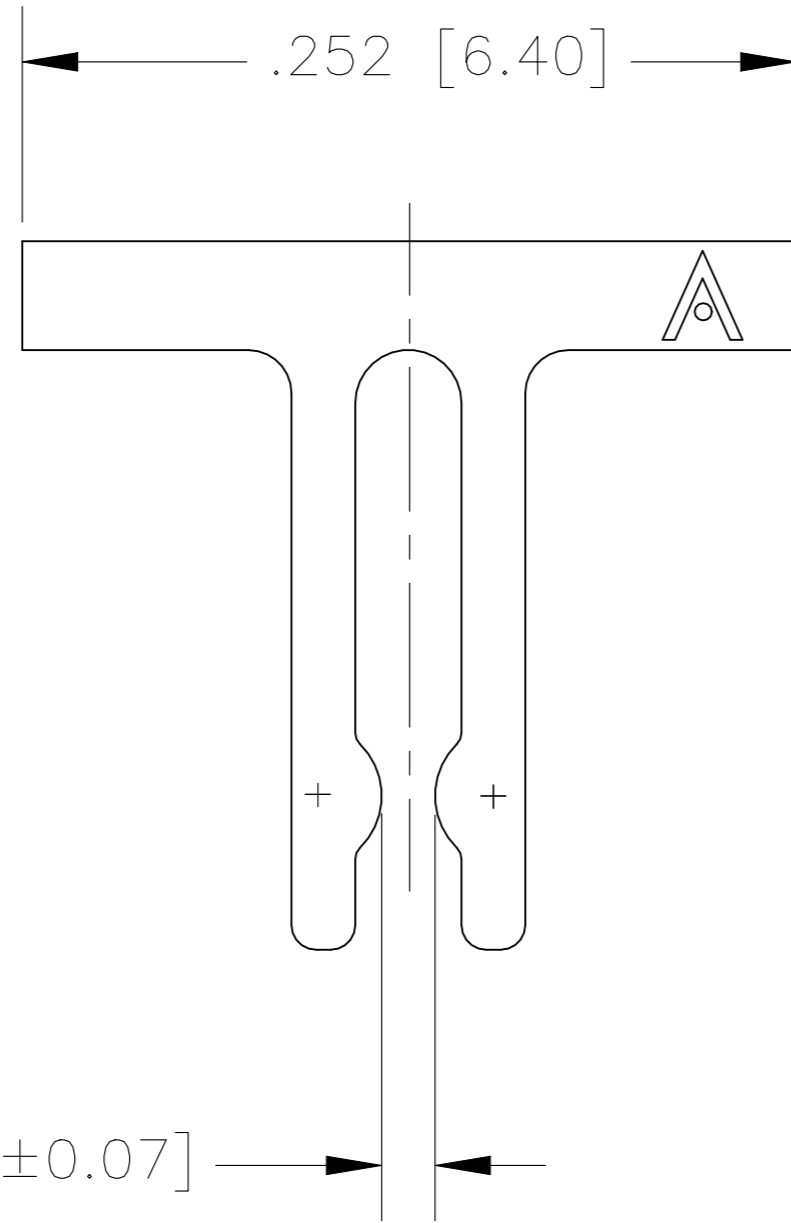
RECOMMENDED P.C. BOARD LAYOUT FOR USE WITH .010 THICK STENCIL

DIM L	NO. OF POSITIONS	HEADER ASSEMBLY	PART NO
OBSOLETE	12	4-647166-2	1-1744382-2
.800 [20.32mm]	8	3-647166-8	1744382-8
.700 [17.78mm]	7	3-647166-7	1744382-7
.600 [15.24mm]	6	3-647166-6	1744382-6
.500 [12.70mm]	5	3-647166-5	1744382-5
.400 [10.16mm]	4	3-647166-4	1744382-4

THIS DRAWING IS A CONTROLLED DOCUMENT.		DWN jr ruth 30MAR11	TE Connectivity	
DIMENSIONS: INCHES		CHK SAM MACE 30MAR11	NAME MTA100 HEADER ASSY, SURFACE MOUNT, FRICTION LOCK, .025 SQ. POST, TAPE W/CAP	
TOLERANCES UNLESS OTHERWISE SPECIFIED: 0 PLC ± - 1 PLC ± - 2 PLC ± - 3 PLC ± .015 4 PLC ± - ANGLES ± 1°		APVD SAM MACE 30MAR11	PRODUCT SPEC 108-1050	
MATERIAL		APPLICATION SPEC 114-1019	SIZE A2	CAGE CODE 00779
FINISH		WEIGHT	DRAWING NO C=1744382	RESTRICTED TO -
CUSTOMER DRAWING			SCALE 3:1	SHEET 3 of 4

THIS DRAWING IS UNPUBLISHED. RELEASED FOR PUBLICATION
 © COPYRIGHT - By - ALL RIGHTS RESERVED.

REVISIONS					
P	LTR	DESCRIPTION	DATE	DWN	APVD
-	-	SEE SHEET 1	-	-	-



CAP FOR HEADER

THIS DRAWING IS A CONTROLLED DOCUMENT.		DWN jr ruth 30MAR11	TE Connectivity MTA100 HEADER ASSY, SURFACE MOUNT, FRICTION LOCK, .025 SQ. POST, TAPE W/CAP				
DIMENSIONS: INCHES [MM]		CHK SAM MACE 30MAR11				NAME	RESTRICTED TO
TOLERANCES UNLESS OTHERWISE SPECIFIED:		APVD SAM MACE 30MAR11				SIZE	CAGE CODE
0 PLC ± - 1 PLC ± - 2 PLC ± - 3 PLC ± .015[0.40] 4 PLC ± - ANGLES ± 1°		PRODUCT SPEC 108-1050				DRAWING NO	REV
MATERIAL	FINISH	APPLICATION SPEC 114-1019	SCALE 3:1	SHEET 4 OF 4	REV B		
		WEIGHT	CUSTOMER DRAWING				

1744382