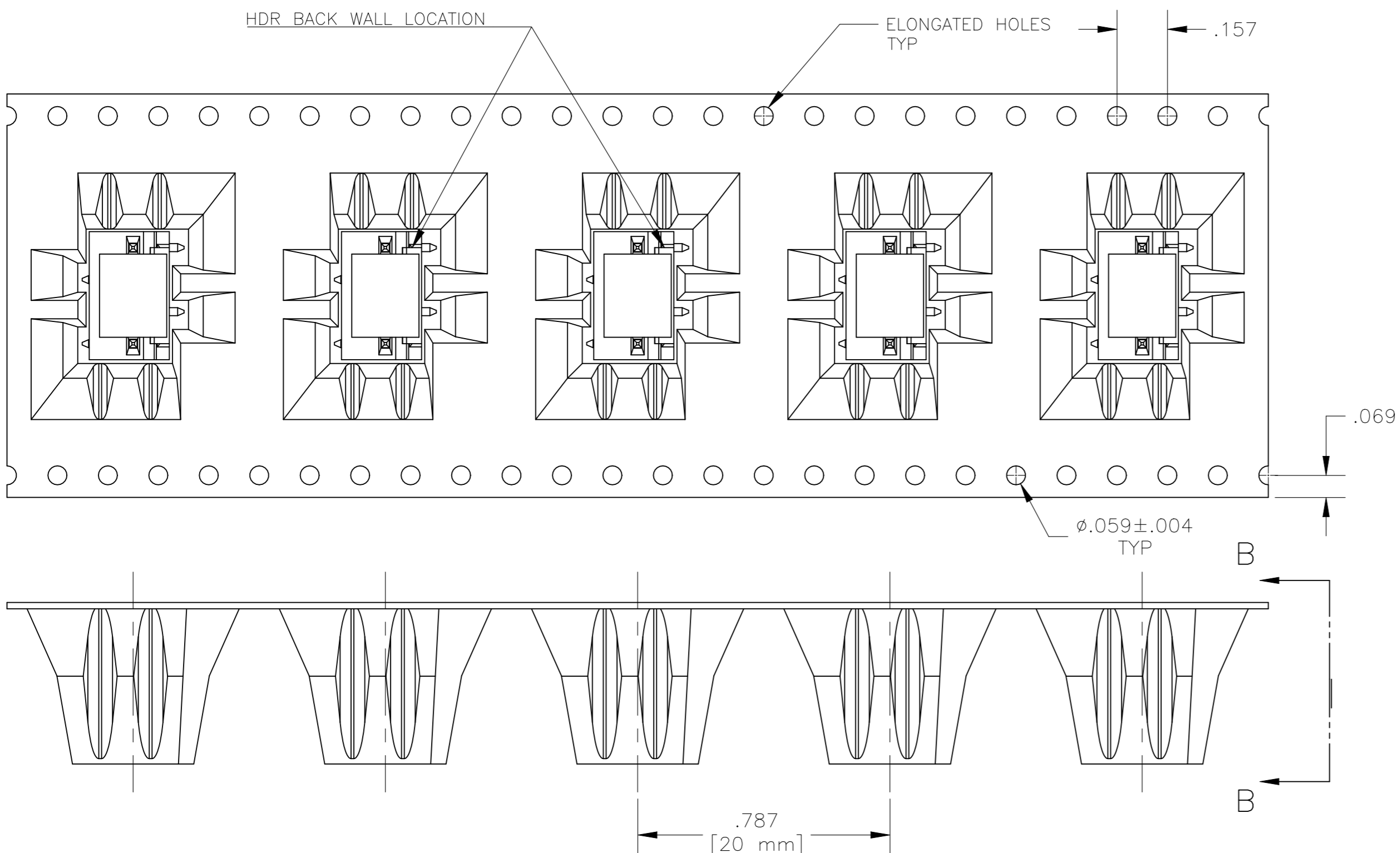
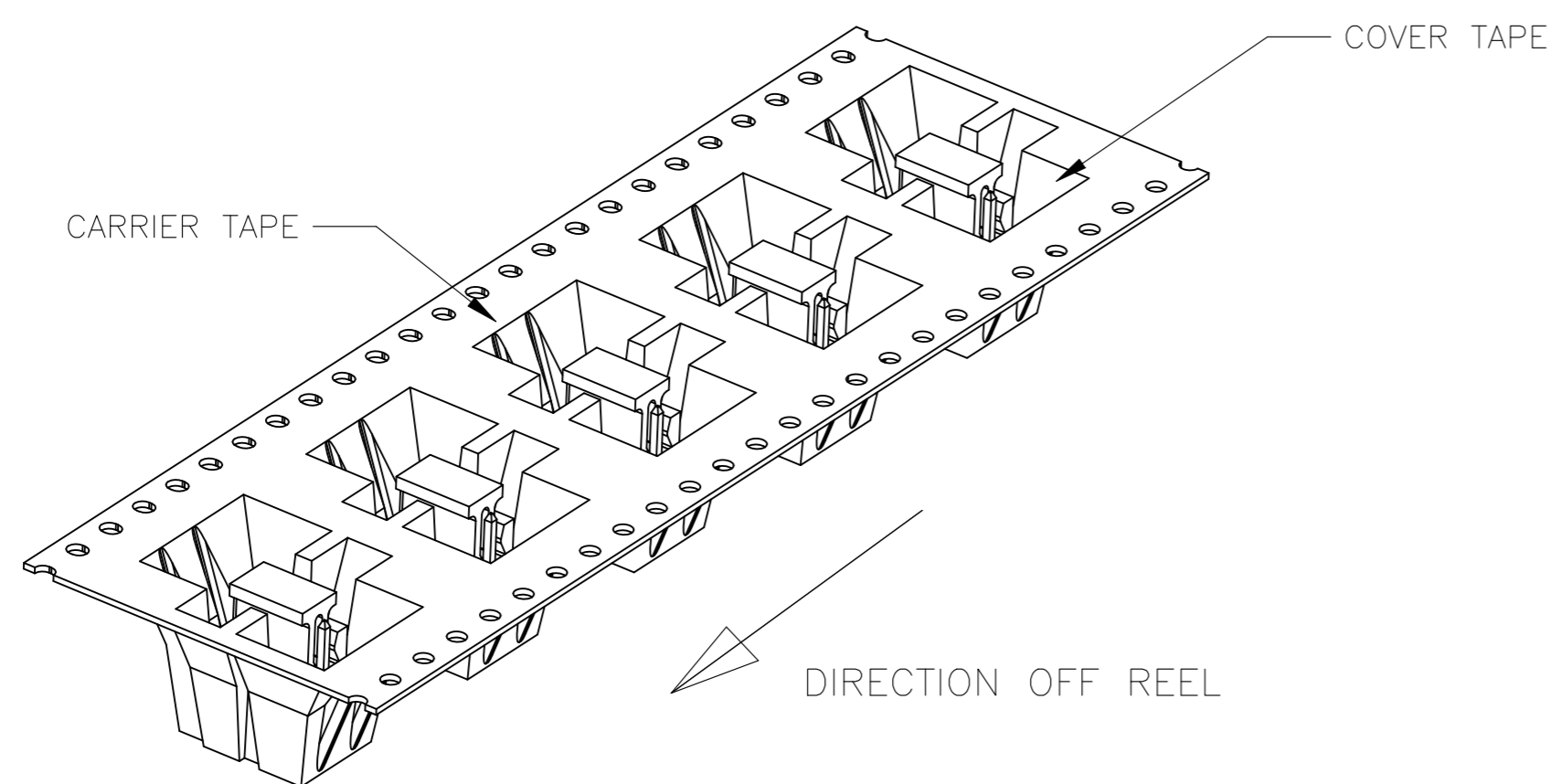
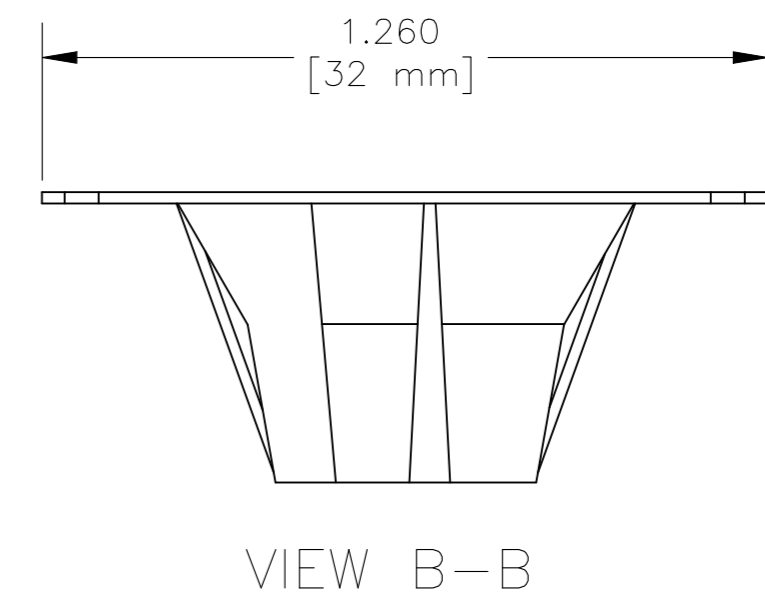


REVISIONS					
P	LTR	DESCRIPTION	DATE	DWN	APVD
E1		REVISED PER ECR-24-210843	12JUN2024	DK	JP



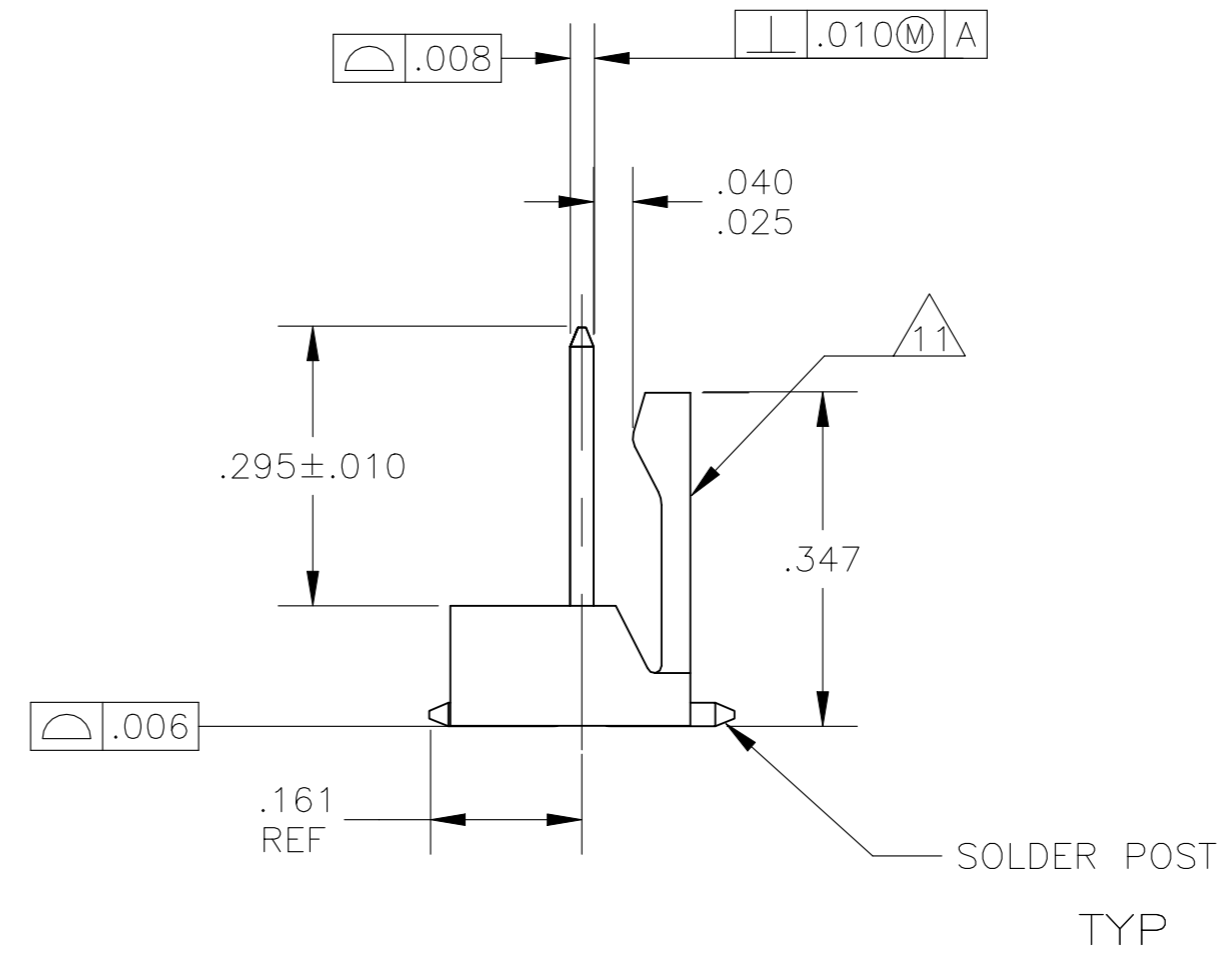
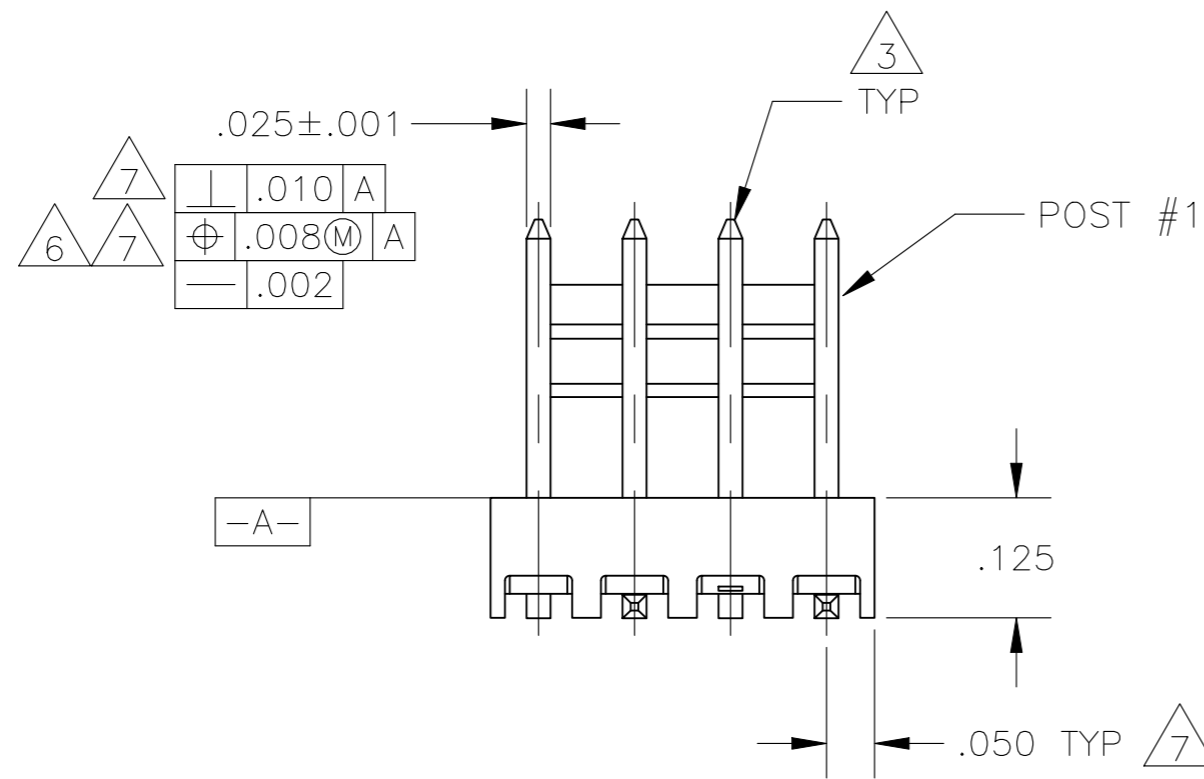
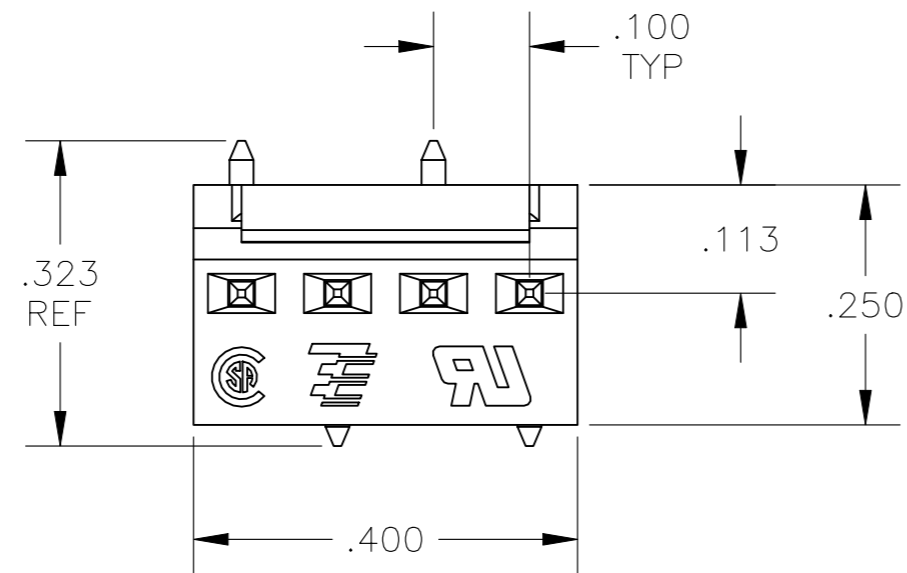
- 1 MATERIAL:
HOUSING- PA 4T, UL94V-0, BLACK
CONTACT- COPPER ALLOY
CAVITY CARRIER TAPE- BLACK CONDUCTIVE PLOYCARBONATE
- 2 FINISH:
CONTACT - GOLD PLATE
- 3 POST TO WITHSTAND 13 NEWTONS [3 LBS] MIN AXIAL FORCE IN THIS DIRECTION WITHOUT DISLODGING, BEFORE SOLDERING.
- 4 POSTS SOLDERTAILS MUST COMPLY WITH TE SOLDERABILITY SPEC 109-11-2.
- 5 MEASURED AT $\square-A-$
- 6 APPLIES WHEN HEADER IS HELD STRAIGHT
- 7 COORDINATE DIM APPLIES FROM CENTER OF ACTUAL FEATURE.
- 8 DIMENSION APPLY TO THE COMPONENT SIDE OF BOARD
- 9 MAX TEMP EXPOSURE DURING REFLOW SOLDERING MAY NOT EXCEED 280°C [536°F].
- 10 HEADERS ARE SUPPLIED ON A 330.2mm [13] DIAMETER REEL WITH 225 PARTS PER REEL. THE CAVITY CARRIER TAPE HOLDS 1 PART PER POCKET, ORIENTED AS SHOWN.
- 11 TE LOGO, UL AND CSA TRADEMARKS MARKED AT THIS LOCATION



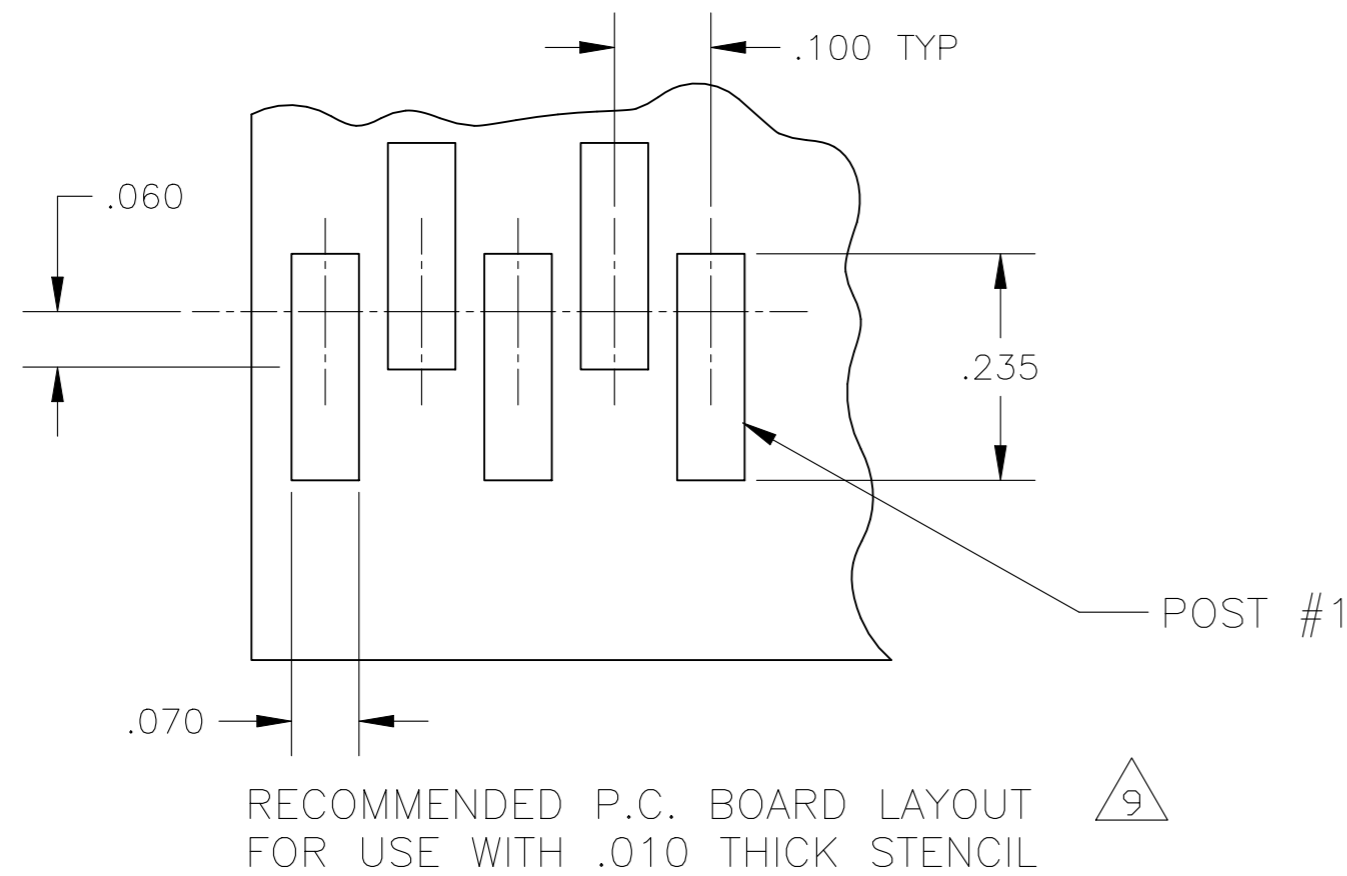
972366-4	1706504-4	147117-5	4	3-647168-4	3-1744400-4
COVER TAPE	CARRIER TAPE	PICK AND PLACE CAP	NO. OF POSITIONS	HEADER ASSEMBLY	PART NO

THIS DRAWING IS A CONTROLLED DOCUMENT.		DWN jr_ruth 08JUN11	TE Connectivity Ltd.		
DIMENSIONS: INCHES		CHK SAM_MACE 08JUN11			
TOLERANCES UNLESS OTHERWISE SPECIFIED:		APVD SAM_MACE 08JUN11	NAME MTA-100 HEADER ASSY, SURFACE MOUNT, FRICTION LOCK, .025SQ. POST, 030GOLD PLATED, TAPE LOADED W/CAP		
0 PLC ± - 1 PLC ± - 2 PLC ± - 3 PLC ± .015 4 PLC ± - ANGLES ± 1°		PRODUCT SPEC 108-1050	SIZE A2	CAGE CODE 00779	DRAWING NO C=1744400
MATERIAL -		FINISH -	WEIGHT -	SCALE 3:1	SHEET 1 of 3
CUSTOMER DRAWING			RESTRICTED TO -	REV E1	

REVISIONS					
P	LTR	DESCRIPTION	DATE	DWN	APVD
-	-	SEE SHEET 1	-	-	-

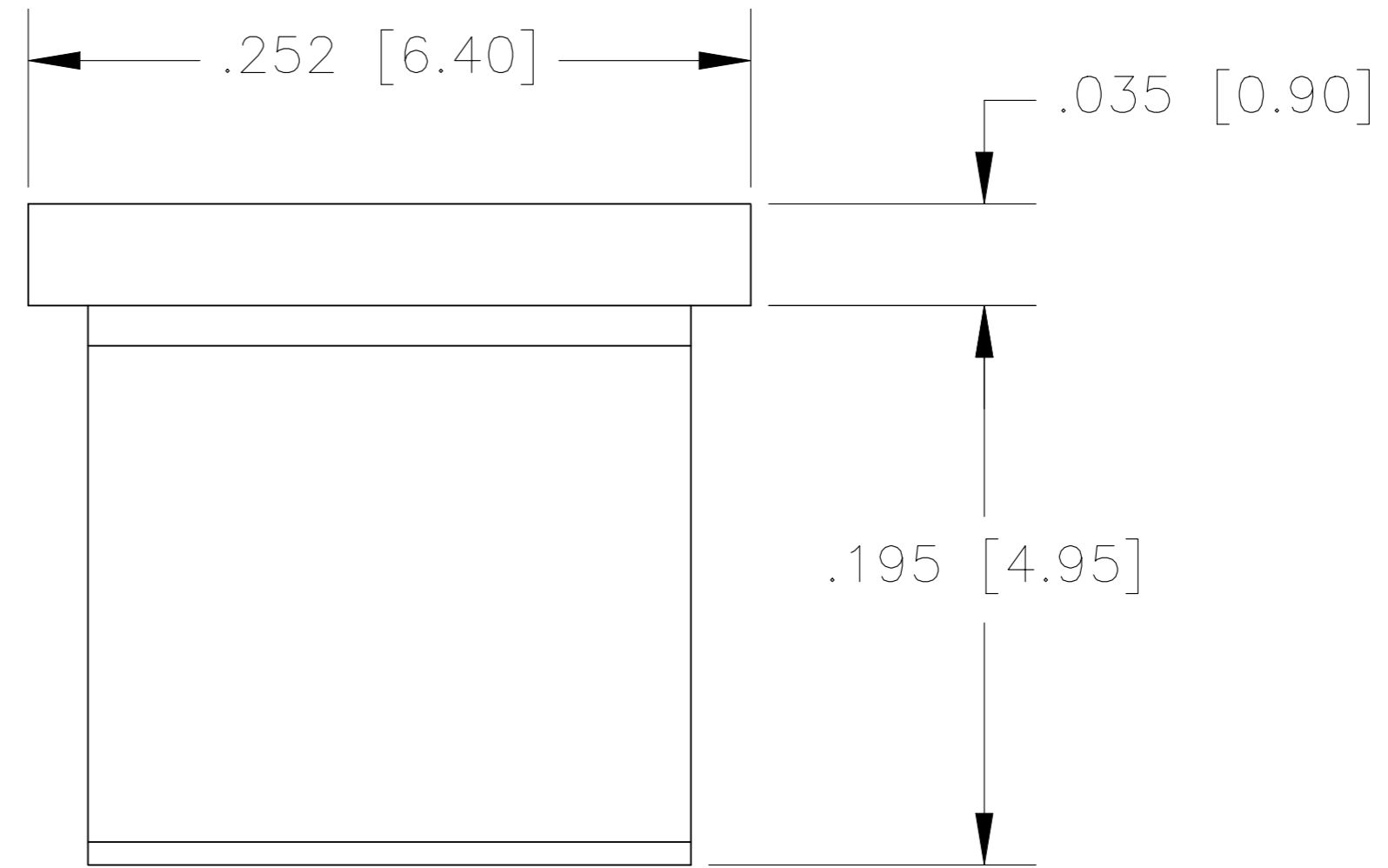
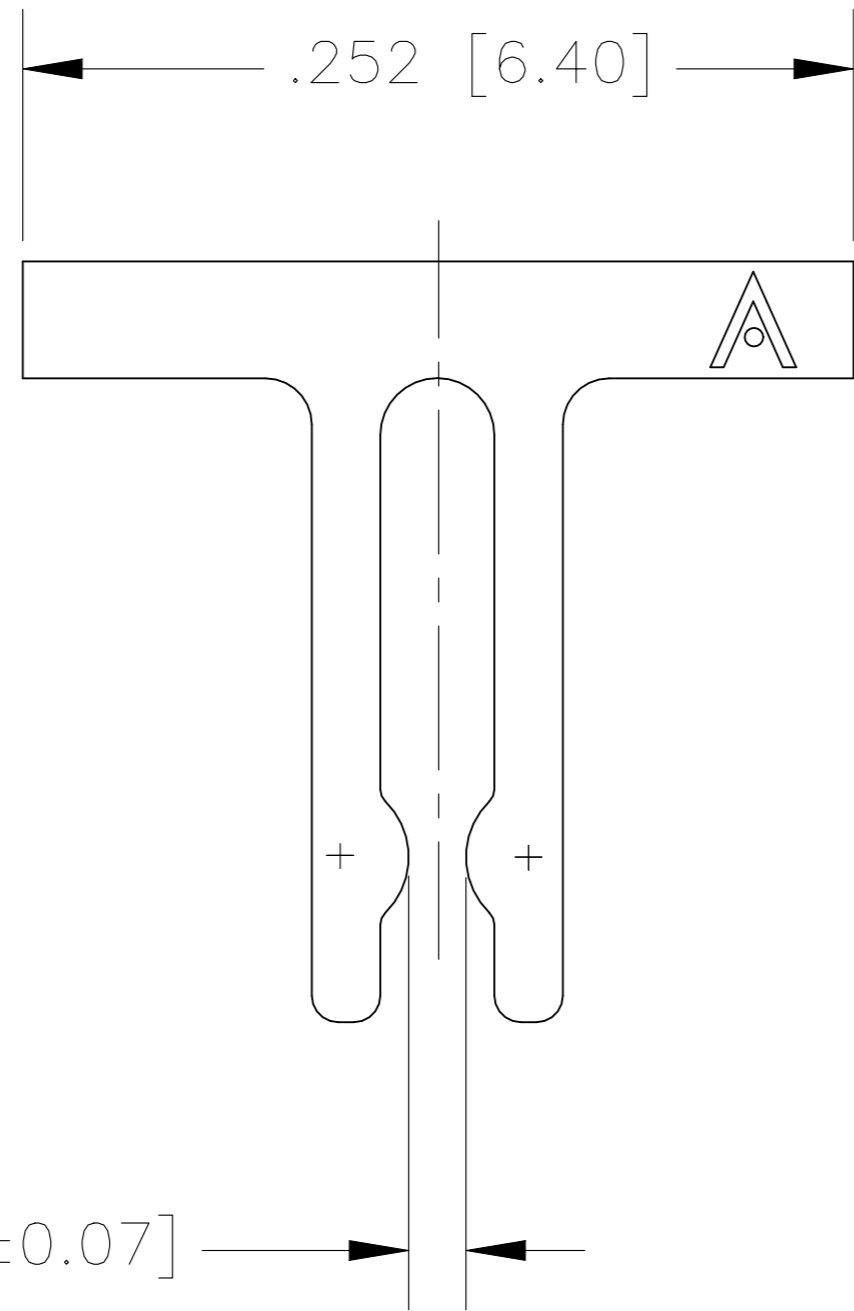


MTA-100 HEADER SHOWN



THIS DRAWING IS A CONTROLLED DOCUMENT.		DWN jr ruth 08JUN11	TE Connectivity Ltd.	
DIMENSIONS: INCHES		CHK SAM MACE 08JUN11		
TOLERANCES UNLESS OTHERWISE SPECIFIED:		APVD SAM MACE 08JUN11	NAME MTA-100 HEADER ASSY, SURFACE MOUNT, FRICTION LOCK, .025 SQ. POST, 030 GOLD PLATED, TAPE LOADED W/CAP	
0 PLC ± -		PRODUCT SPEC 108-1050	SIZE A2	CAGE CODE 00779
1 PLC ± -		APPLICATION SPEC 114-1019	DRAWING NO C=1744400	RESTRICTED TO -
2 PLC ± -		MATERIAL -	SCALE 5:1	SHEET 2 OF 3
3 PLC ± .015		FINISH -	CUSTOMER DRAWING	REV E1
4 PLC ± -				
ANGLES ± 1°				

REVISIONS					
P	LTR	DESCRIPTION	DATE	DWN	APVD
-		SEE SHEET 1	-	-	-



CAP FOR HEADER

1744400

THIS DRAWING IS A CONTROLLED DOCUMENT.		DWN jr ruth 08JUN11	TE Connectivity Ltd.	
DIMENSIONS: INCHES [MM]		CHK SAM MACE 08JUN11		
TOLERANCES UNLESS OTHERWISE SPECIFIED:		APVD SAM MACE 08JUN11	NAME MTA-100 HEADER ASSY, SURFACE MOUNT, FRICTION LOCK, .025 SQ. POST, 030 GOLD PLATED, TAPE LOADED W/CAP	
0 PLC ± -		PRODUCT SPEC 108-1050	SIZE A2	CAGE CODE 00779
1 PLC ± -		APPLICATION SPEC 114-1019	DRAWING NO C=1744400	RESTRICTED TO -
2 PLC ± -		MATERIAL -	SCALE 10:1	SHEET 3 of 3
3 PLC ± .015[0.40]		FINISH -	CUSTOMER DRAWING	REV E1
4 PLC ± -		WEIGHT -		
ANGLES ± 1°				