

REVISIONS				
P	LTR	DESCRIPTION	DATE	APVD
E2		REVISED PER ECR-17-007418	5JUN17	DZ SL

- NOTES:
- MATERIAL:  
HOUSING: LCP WITH 30% GF, UL94 V-0, BLACK COLOR.  
CONTACTS: PHOSPHOR BRONZE.  
PEGS: BRASS.
  - FINISH:  
CONTACTS: (SEE TABLE) GOLD PLATED ON CONTACT AREA, GOLD FLASH ON SOLDER AREA, WITH ENTIRE CONTACT UNDERPLATED 1.27µm [50µ"] MIN. NICKEL.  
PEGS: 3.048µm [120µ"] MIN. MATTE-TIN OVER 1.27µm [50µ"] MIN. NICKEL.
  - REFLOW SOLDER CAPABLE TO 260° PER TEC-109-201, CONDITION B.

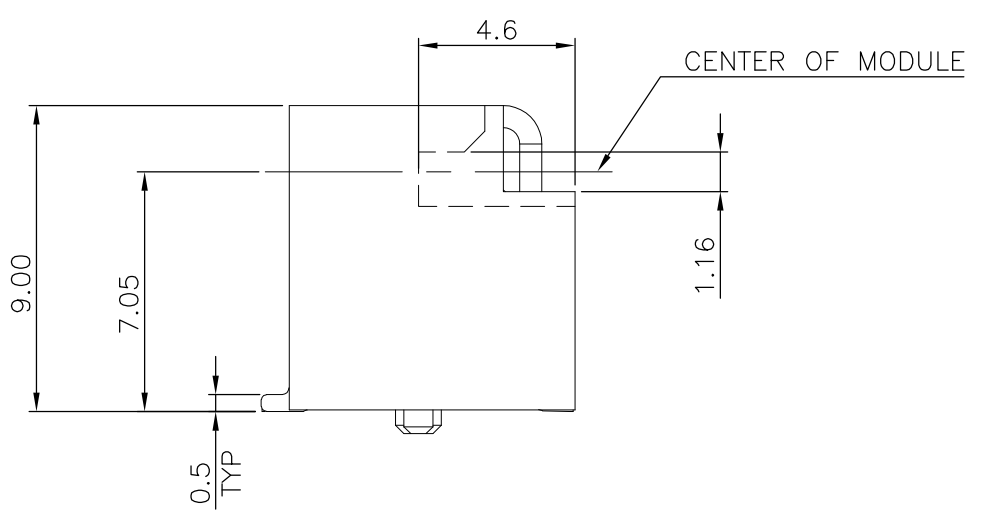
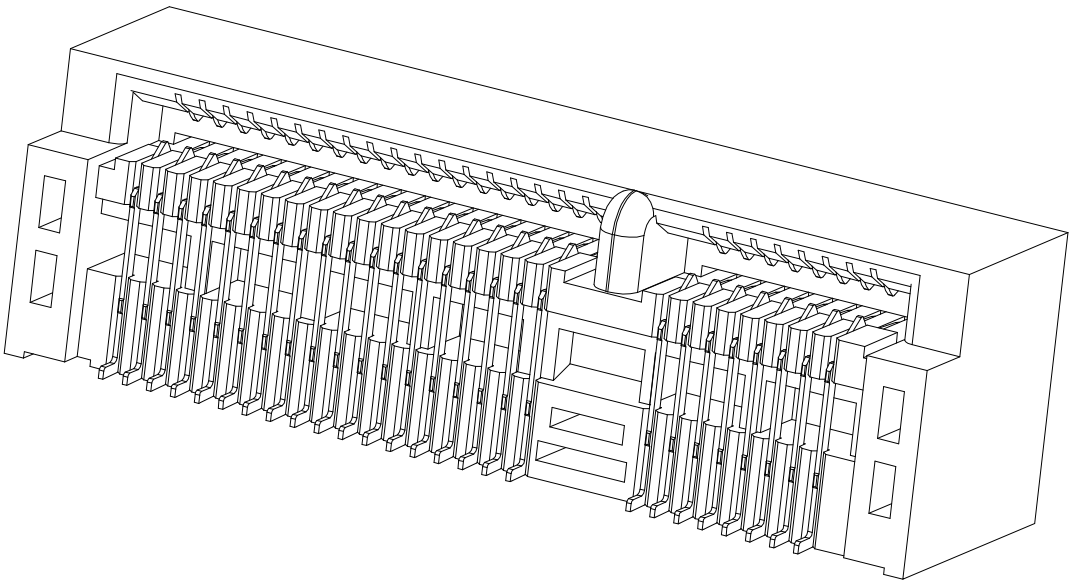
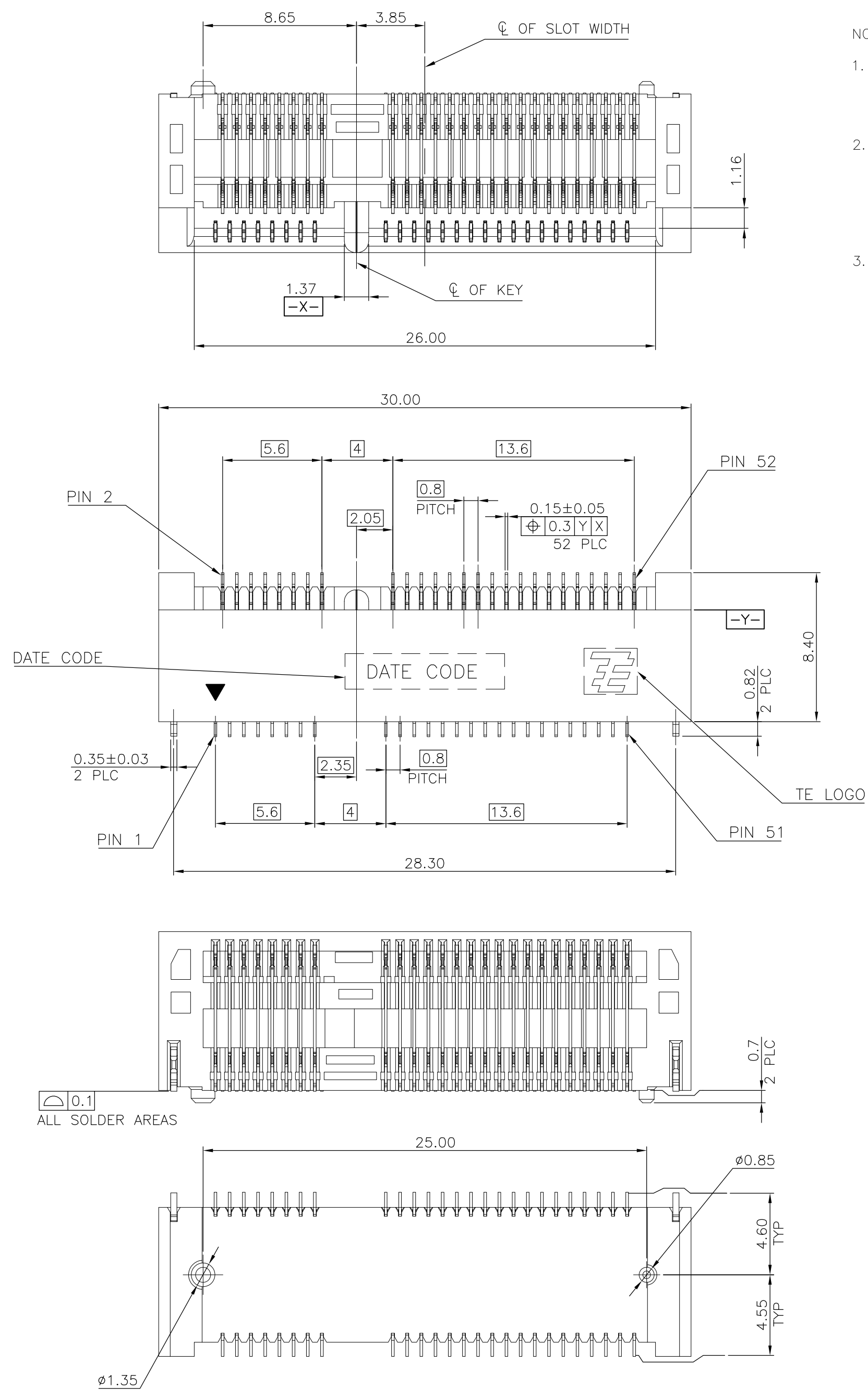
### PCI-E MINI CARD CONNECTOR SIGNAL ASSIGNMENTS

### mSATA CONNECTOR SIGNAL ASSIGNMENTS

PIN#	NAME	PIN#	NAME
51	Reserved	52	+3.3Vaux
49	Reserved	50	GND
47	Reserved	48	+1.5V
45	Reserved	46	LED_WPAN#
43	GND	44	LED_WLAN#
41	+3.3Vaux	42	LED_WWAN#
39	+3.3Vaux	40	GND
37	GND	38	USB_D+
35	GND	36	USB_D-
33	PETp0	34	GND
31	PETn0	32	SMB_DATA
29	GND	30	SMB_CLK
27	GND	28	+1.5V
25	PERp0	26	GND
23	PERn0	24	+3.3Vaux
21	GND	22	PERST#
19	Reserved* (UIM_C4)	20	W_DISABLE#
17	Reserved* (UIM_C8)	18	GND
MECHANICAL KEY			
15	GND	16	UIM_VPP
13	REFCLK+	14	UIM_RESET
11	REFCLK-	12	UIM_CLK
9	GND	10	UIM_DATA
7	CLKREQ#	8	UIM_PWR
5	COEX2	6	1.5V
3	COEX1	4	GND
1	WAKE#	2	3.3Vaux

PIN#	NAME	PIN#	NAME
51	Presence Detection	52	+3.3V
49	DA/DSS	50	GND
47	Vendor	48	+1.5V
45	Vendor	46	Reserved
43	No Connect	44	Reserved
41	+3.3V	42	Reserved
39	+3.3V	40	GND
37	GND	38	Reserved
35	GND	36	Reserved
33	+A	34	GND
31	-A	32	Two Wire Interface
29	GND	30	Two Wire Interface
27	GND	28	+1.5V
25	-B	26	GND
23	+B	24	+3.3V
21	GND	22	Reserved
19	Reserved	20	Reserved
17	Reserved	18	GND
MECHANICAL KEY			
15	GND	16	Reserved
13	Reserved	14	Reserved
11	Reserved	12	Reserved
9	GND	10	Reserved
7	Reserved	8	Reserved
5	Reserved	6	+1.5V
3	Reserved	4	GND
1	Reserved	2	+3.3V

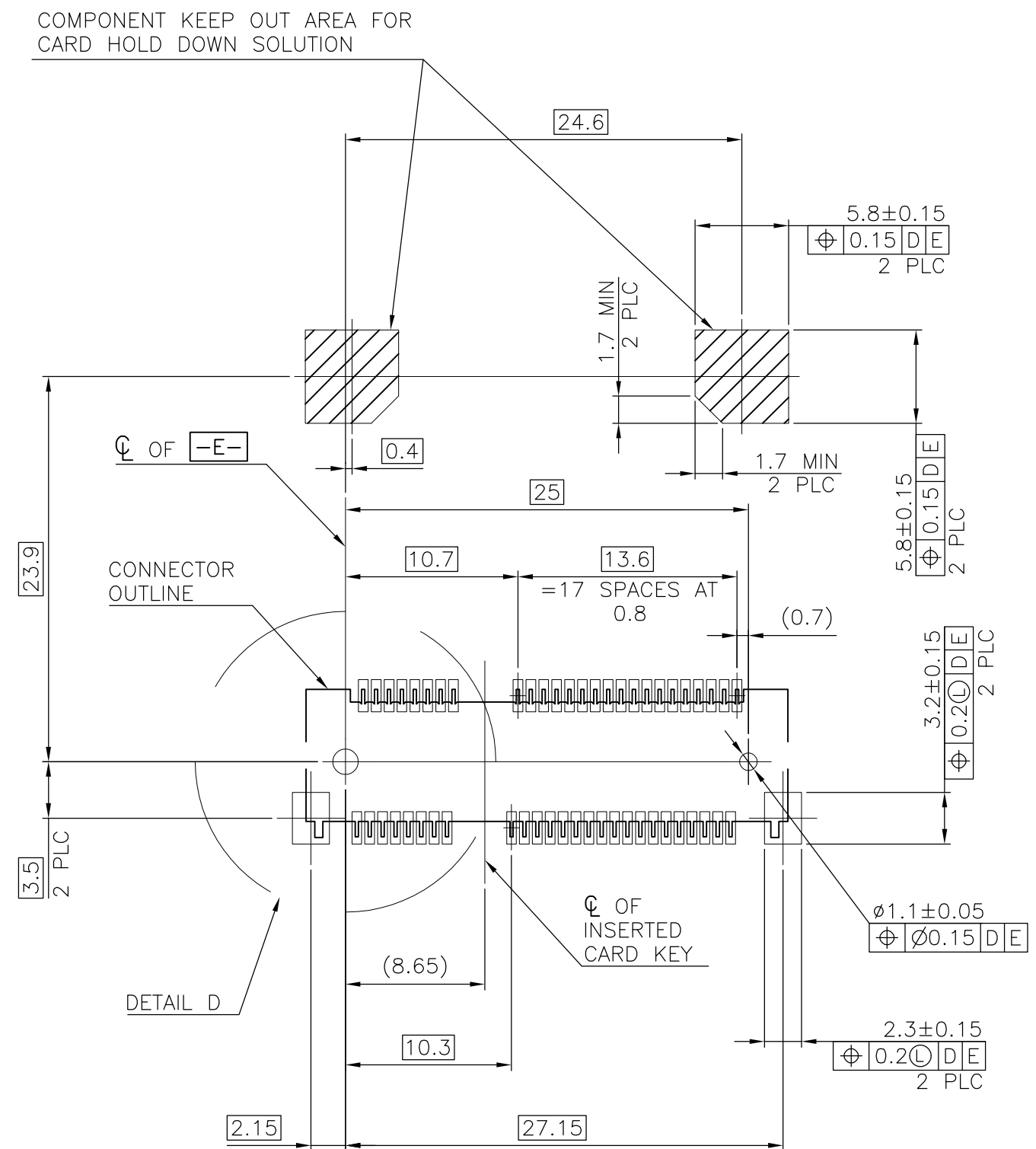
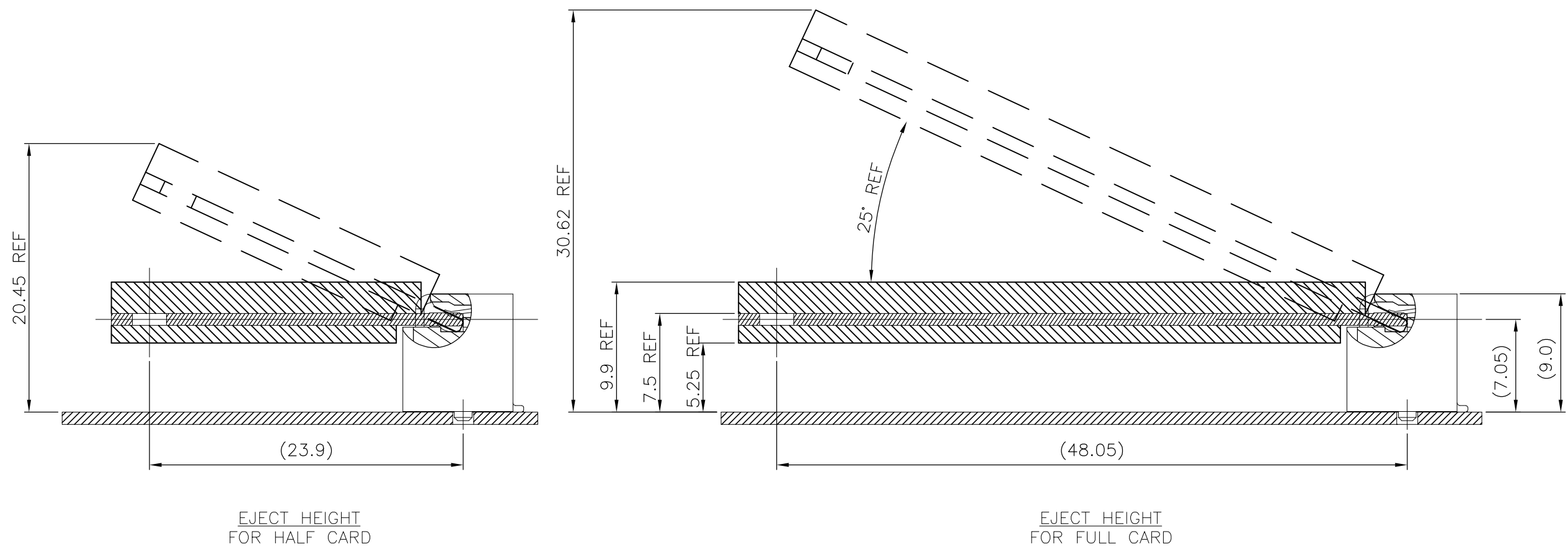
\* Reserved for future UIM interface (if needed)



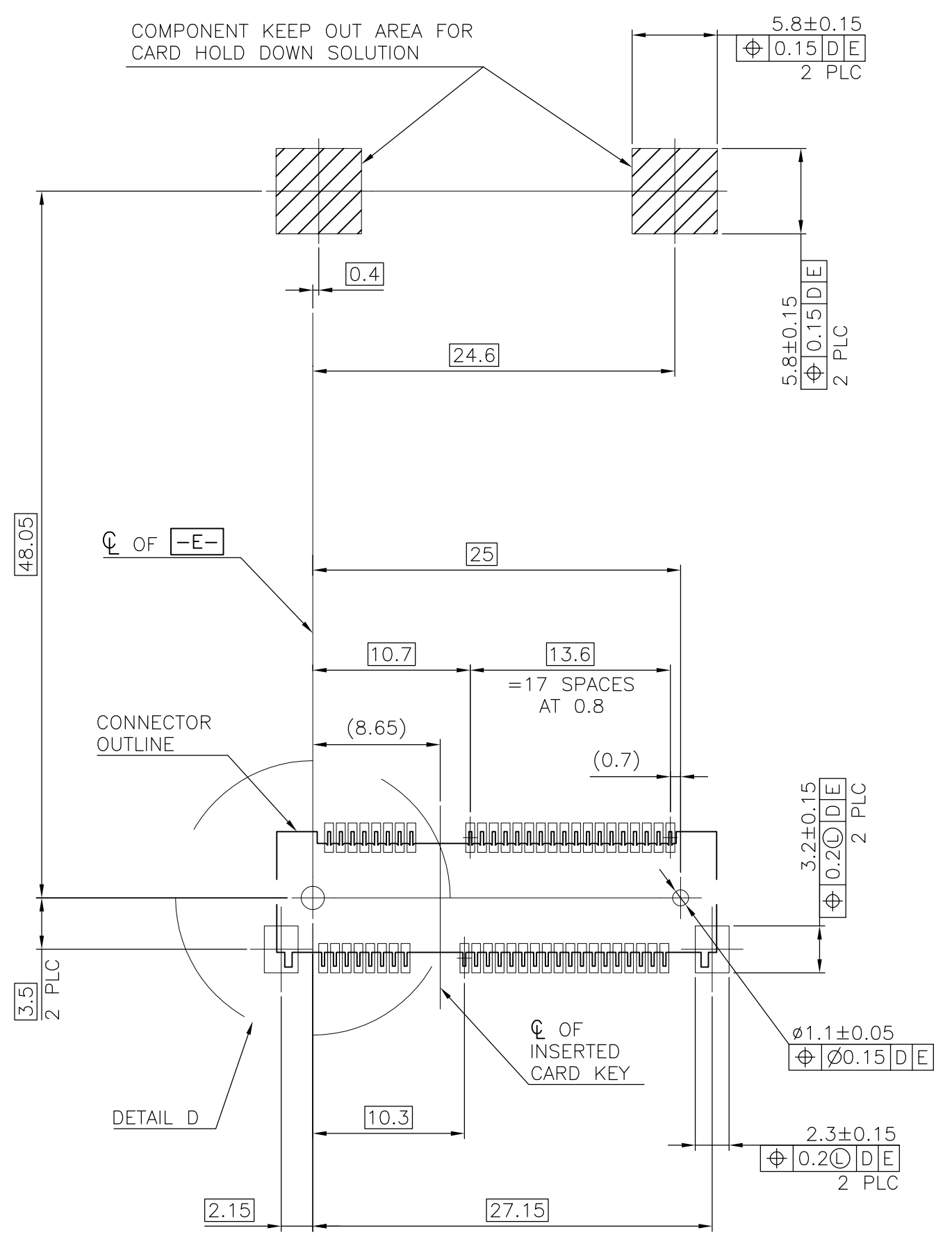
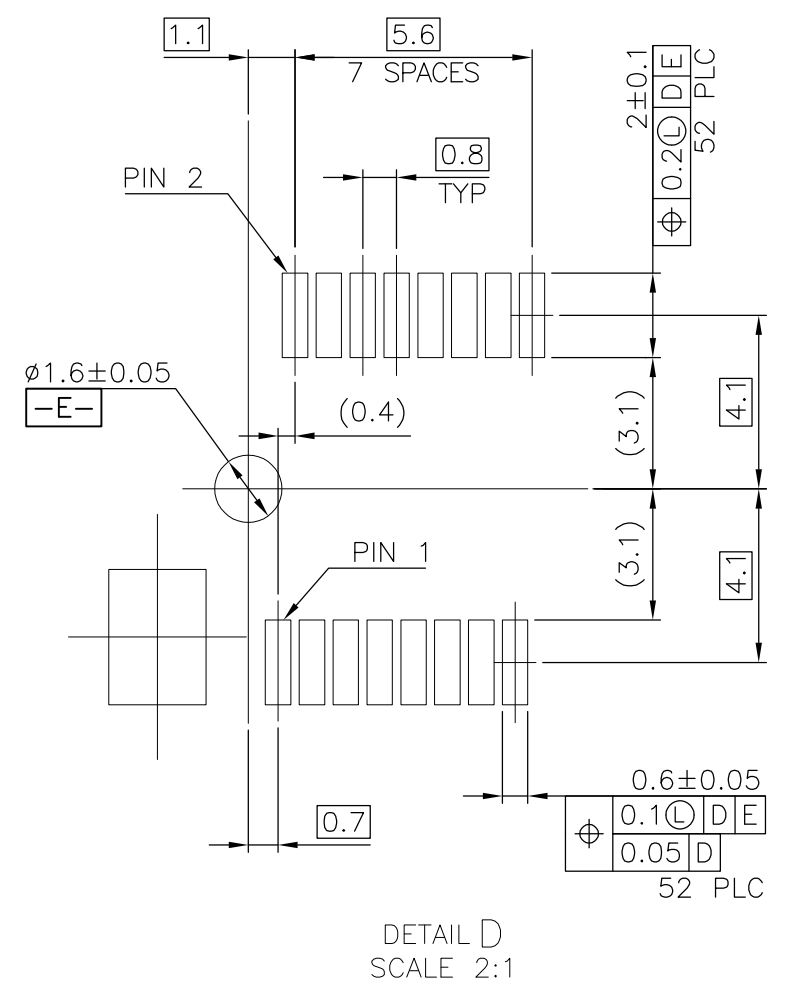
THIS DRAWING IS A CONTROLLED DOCUMENT.		DWN A. WU 27JAN2011	GOLD FLASH 1759513-1	
DIMENSIONS: mm		CHK S. CHIEN 27JAN2011	MIN. GOLD THICKNESS PART NUMBER	
TOLERANCES UNLESS OTHERWISE SPECIFIED:		APVD W. KODAMA 27JAN2011	TE Connectivity	
0 PLC ± - 1 PLC ± 0.3 2 PLC ± 0.2 3 PLC ± - 4 PLC ± - ANGLES ± 3°		NAME 108-99102	2 IN 1 mSATA & PCI EXPRESS MINI CARD CONNECTOR, 9 MM HEIGHT	
MATERIAL SEE NOTE		FINISH SEE NOTE	SIZE A2	CAGE CODE 00779
		WEIGHT 2.28 g	DRAWING NO. C=1759513	RESTRICTED TO -
		CUSTOMER DRAWING		SCALE -
		SHEET 1 of 5		REV E2

THIS DRAWING IS UNPUBLISHED. RELEASED FOR PUBLICATION  
 © COPYRIGHT 2011 BY TE CONNECTIVITY. ALL RIGHTS RESERVED.

REVISIONS					
P	LTR	DESCRIPTION	DATE	DWN	APVD
		SEE SHEET 1	-	-	-



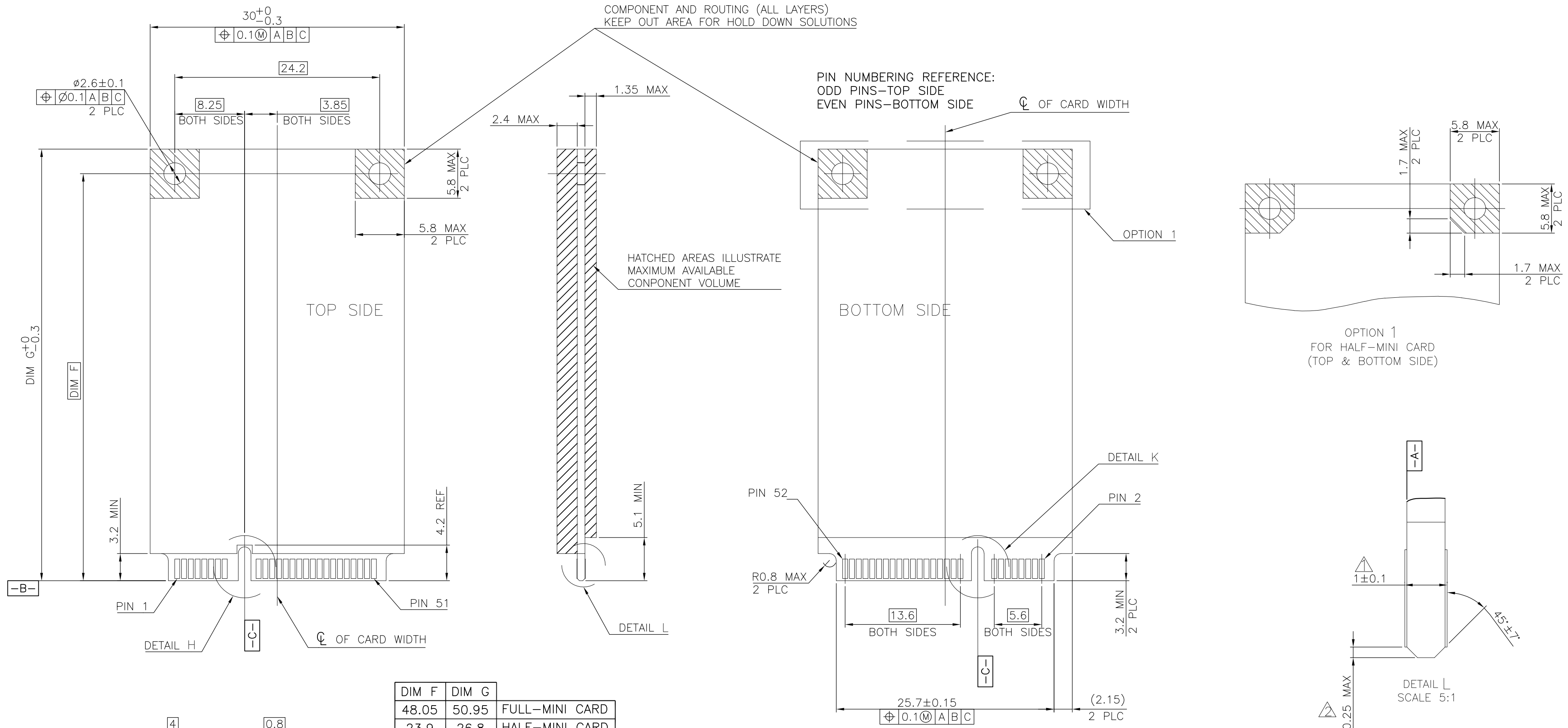
-D- IS THE TOP SURFACE OF PCB.  
 RECOMMENDED P.C. BOARD PATTERN LAYOUT FOR HALF CARD CONNECTOR (TOP VIEW)



-D- IS THE TOP SURFACE OF PCB.  
 RECOMMENDED P.C. BOARD PATTERN LAYOUT FOR FULL CARD CONNECTOR (TOP VIEW)

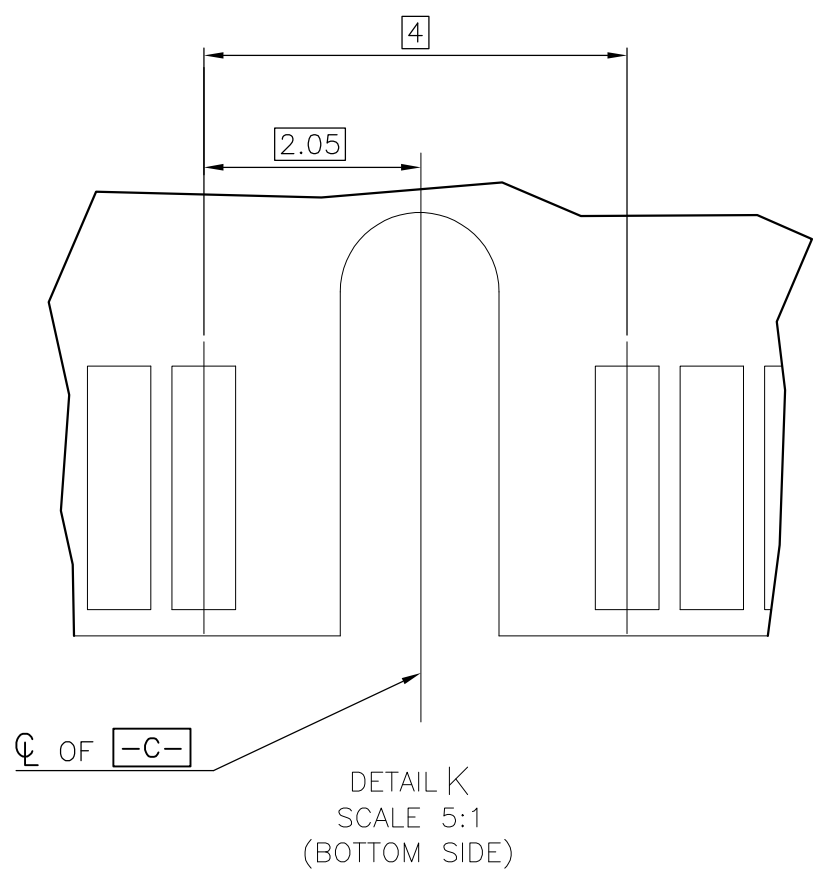
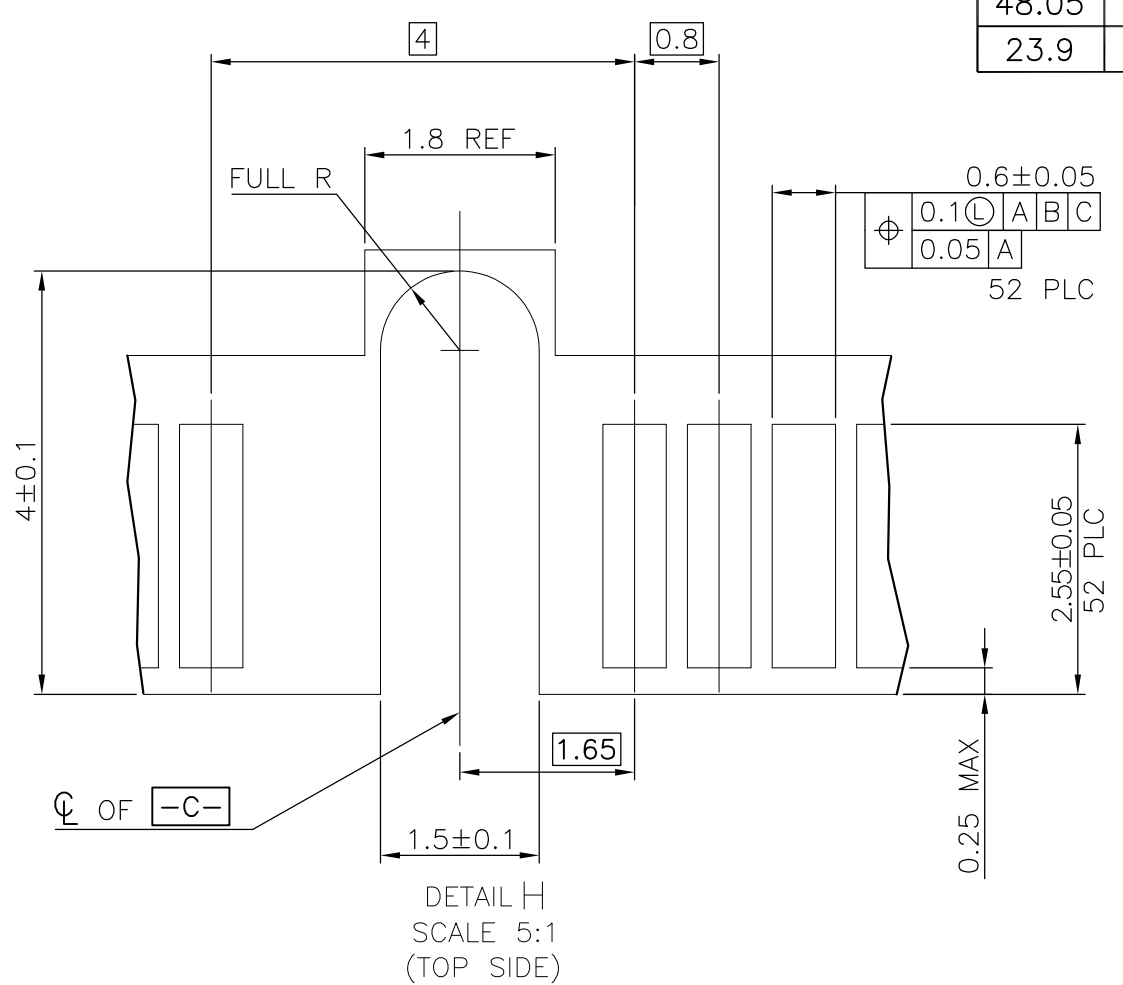
THIS DRAWING IS A CONTROLLED DOCUMENT.		DWN	TE Connectivity		
DIMENSIONS: mm		CHK	NAME		
TOLERANCES UNLESS OTHERWISE SPECIFIED		APVD	2 IN 1 mSATA & PCI EXPRESS MINI CARD CONNECTOR, 9 MM HEIGHT		
0 PLC ±		PRODUCT SPEC	SIZE	CAGE CODE	DRAWING NO
1 PLC ±		APPLICATION SPEC	A2	00779	C=1759513
2 PLC ±		WEIGHT	RESTRICTED TO		
3 PLC ±		CUSTOMER DRAWING	SCALE		
4 PLC ±		FINISH	SHEET 2 OF 5		
ANGLES ±			REV E2		

REVISIONS				
P	LTR	DESCRIPTION	DATE	APVD
		SEE SHEET 1	-	-



- NOTES:
- ▲ CARD THICKNESS APPLIES ACROSS TABS AND INCLUDES PLATING AND/OR METALLIZATION.
  - ▲ EDGE BEVEL MUST BE PRESENT AND FREE OF CUTTING BURRS FROM PCB AND CONTACT MATERIALS.

FOR PCI EXPRESS MINI CARD

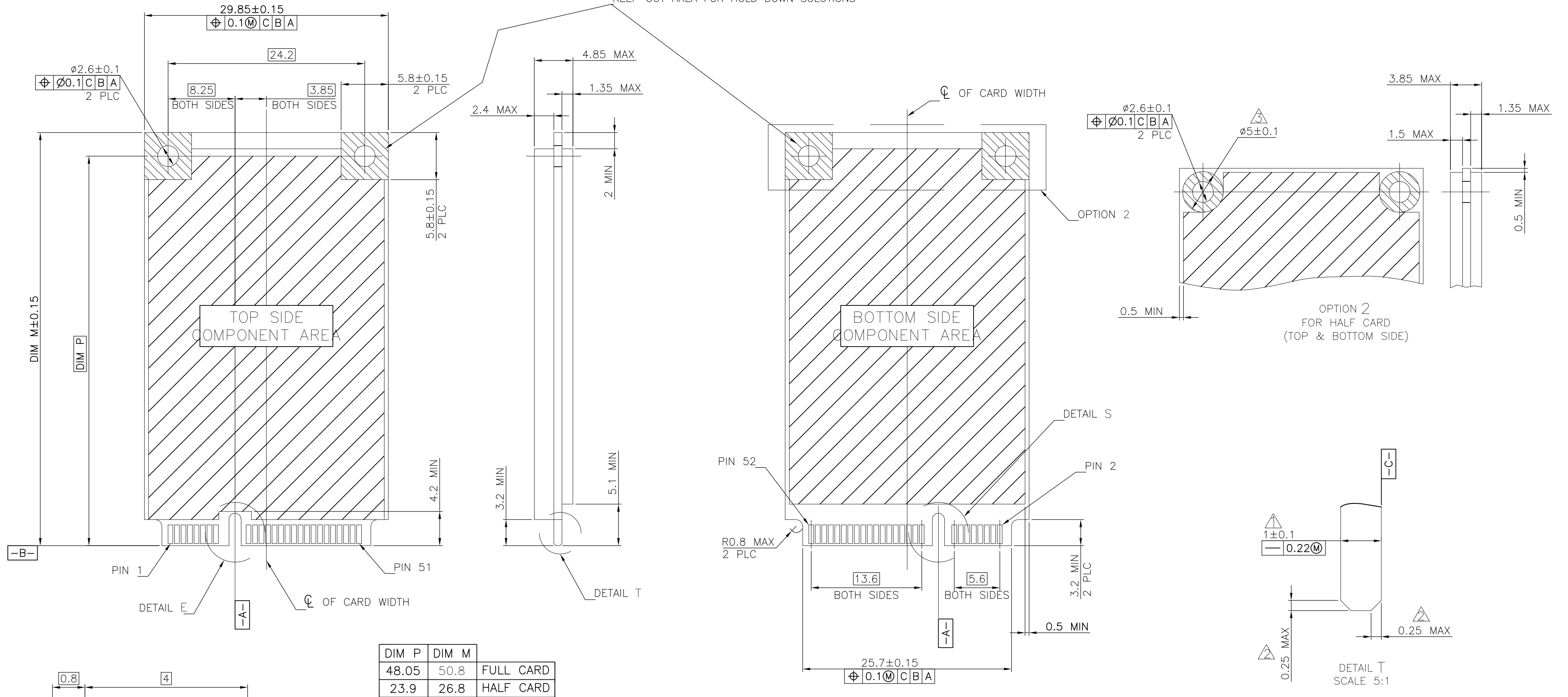


THIS DRAWING IS A CONTROLLED DOCUMENT.		DWN	TE Connectivity	
DIMENSIONS: mm		CHK	NAME	
TOLERANCES UNLESS OTHERWISE SPECIFIED:		APVD	2 IN 1 mSATA & PCI EXPRESS MINI CARD CONNECTOR, 9 MM HEIGHT	
0 PLC ±		PRODUCT SPEC	SIZE	CAGE CODE
1 PLC ±		APPLICATION SPEC	A2	00779
2 PLC ±		WEIGHT	DRAWING NO	RESTRICTED TO
3 PLC ±		CUSTOMER DRAWING	C=1759513	-
4 PLC ±		SCALE	SHEET	REV
ANGLES ±		-	3 OF 5	E2

THIS DRAWING IS UNPUBLISHED. RELEASED FOR PUBLICATION  
 © COPYRIGHT 2011 BY TE CONNECTIVITY. ALL RIGHTS RESERVED.

REVISIONS				
P	LTR	DESCRIPTION	DATE	APVD
		SEE SHEET 1	-	-

COMPONENT AND ROUTING (ALL LAYERS)  
 KEEP OUT AREA FOR HOLD DOWN SOLUTIONS



NOTES:

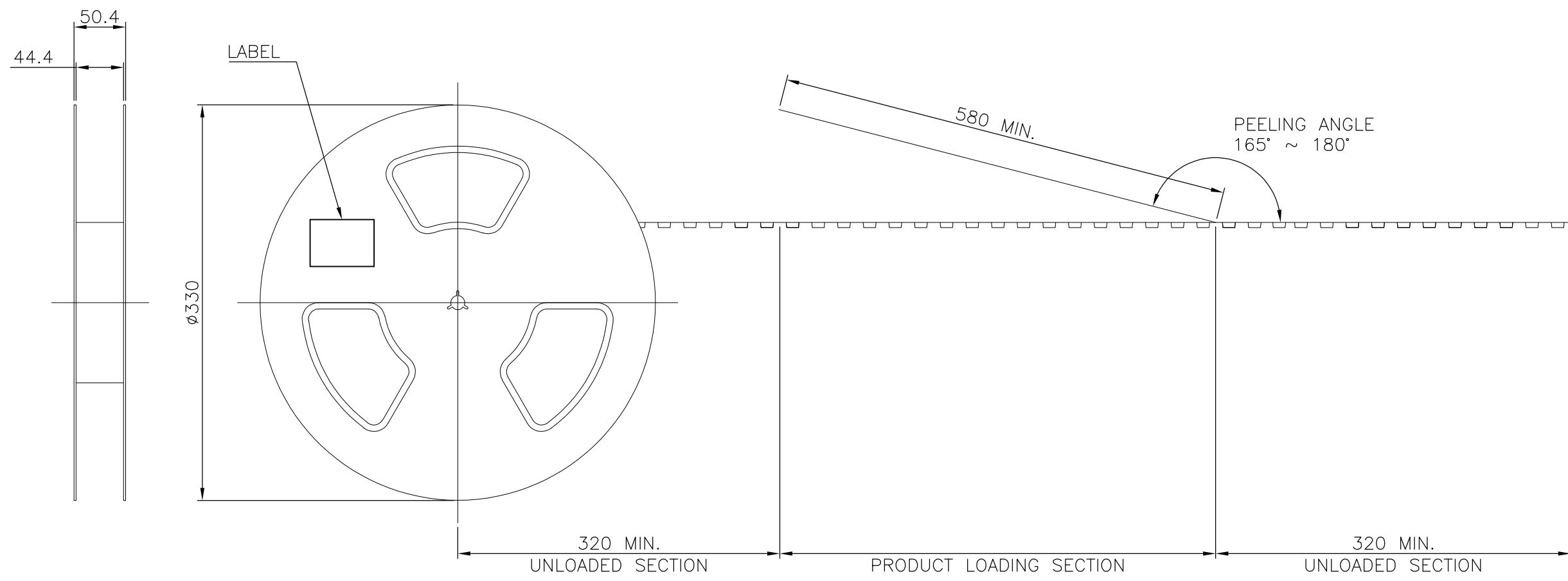
- ▲ CARD THICKNESS APPLIES ACROSS TABS AND INCLUDES PLATING AND/OR METALLIZATION.
- ▲ EDGE BEVEL MUST BE PRESENT AND FREE OF CUTTING BURRS FROM PCB AND CONTACT MATERIALS.
- ▲ COMPONENT AND ROUTING (TOP/BOTTOM LAYER) KEEP OUT AREA FOR HOLD DOWN SOLUTIONS.

FOR mSATA

THIS DRAWING IS A CONTROLLED DOCUMENT.		DWN	TE Connectivity	
DIMENSIONS: mm		CHK	NAME	
TOLERANCES UNLESS OTHERWISE SPECIFIED:		APVD	2 IN 1 mSATA & PCI EXPRESS MINI CARD CONNECTOR, 9 MM HEIGHT	
0 PLC ±		PRODUCT SPEC	SIZE	CAGE CODE
1 PLC ±		APPLICATION SPEC	A2	00779
2 PLC ±		WEIGHT	DRAWING NO	RESTRICTED TO
3 PLC ±		CUSTOMER DRAWING	C=1759513	-
4 PLC ±		SCALE	SHEET	REV
ANGLES ±		-	4 OF 5	E2
FINISH				

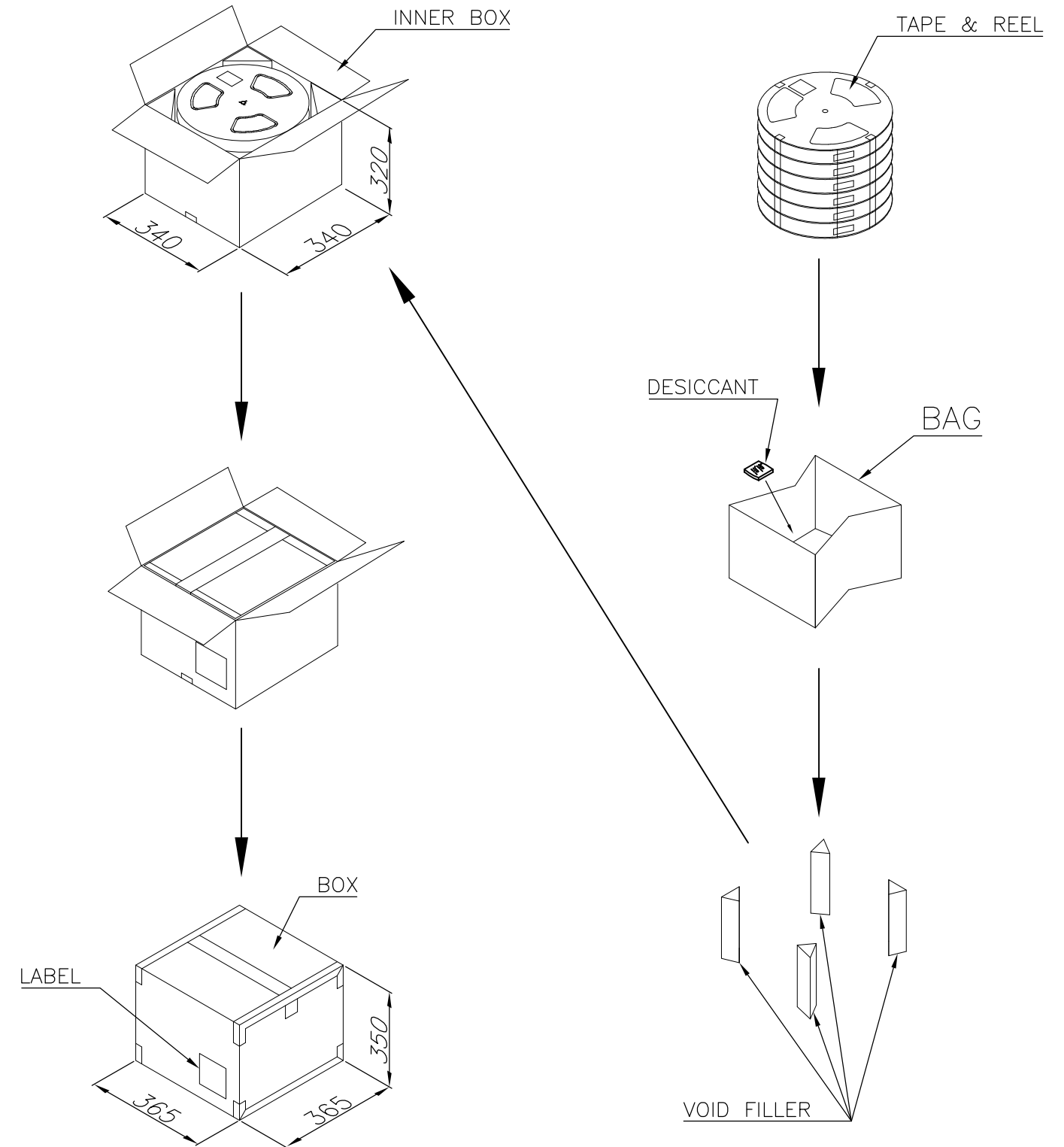
THIS DRAWING IS UNPUBLISHED. RELEASED FOR PUBLICATION  
 © COPYRIGHT 2011 BY TE CONNECTIVITY. ALL RIGHTS RESERVED.

REVISIONS					
P	LTR	DESCRIPTION	DATE	DWN	APVD
		SEE SHEET 1	-	-	-

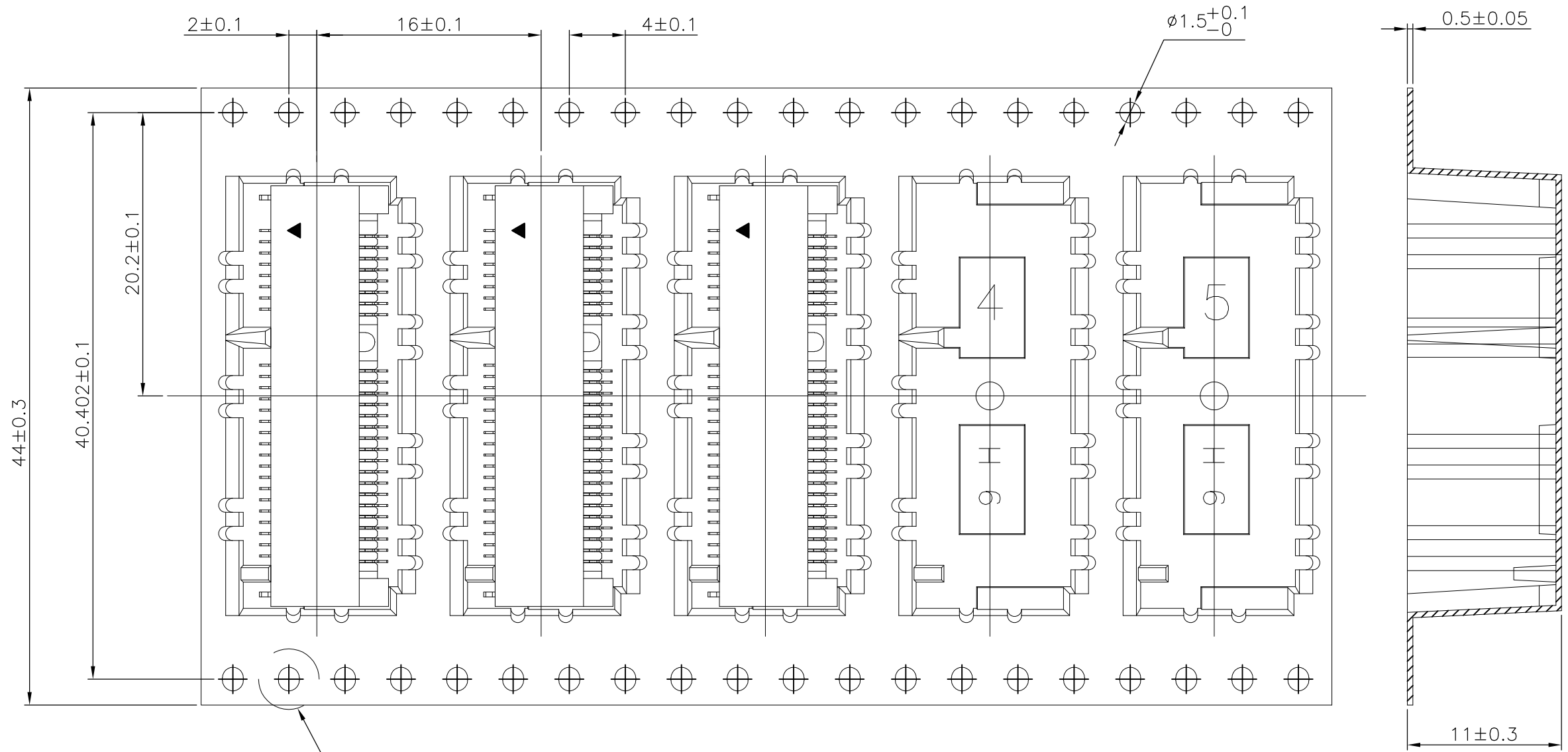


NOTES:

- MATERIAL:  
 BOX: FIBREBOARD, CORRUGATED, DOUBLE WALL.  
 COVER TAPE: POLYSTYRENES, TRANSPARENT.  
 CARRIER TAPE: POLYSTYRENES, TRANSPARENT.  
 REEL: HIPS, BLUE COLOR.  
 BAG: POLYETHYLENES, TRANSPARENT.
- EACH BAG SHALL BE INCLUDED DESICCANT.
- PEELING STRENGTH: 0.1 ~ 1.3 N (10 ~ 130 GRAMS).
- PEELING SPEED: 300 mm/min.



USER DIRECTION OF UNREELING



2100	6	350	6.1 Kg	11.1 Kg
PCS/BOX	REELS/BOX	PCS/TAPE	NET WEIGHT	GROSS WEIGHT

THIS DRAWING IS A CONTROLLED DOCUMENT.		DWN	-		
DIMENSIONS: mm		CHK	-		
TOLERANCES UNLESS OTHERWISE SPECIFIED:		APVD	-		
0 PLC	±	PRODUCT SPEC	-		
1 PLC	±	APPLICATION SPEC	-		
2 PLC	±	WEIGHT	-		
3 PLC	±	CUSTOMER DRAWING	-		
4 PLC	±	SCALE	-		
ANGLES	±	SHEET	5 of 5		
FINISH	±	REV	E2		

TE Connectivity

2 IN 1 mSATA & PCI EXPRESS  
MINI CARD CONNECTOR, 9 MM HEIGHT

SIZE: A2    CAGE CODE: 00779    DRAWING NO: C-1759513