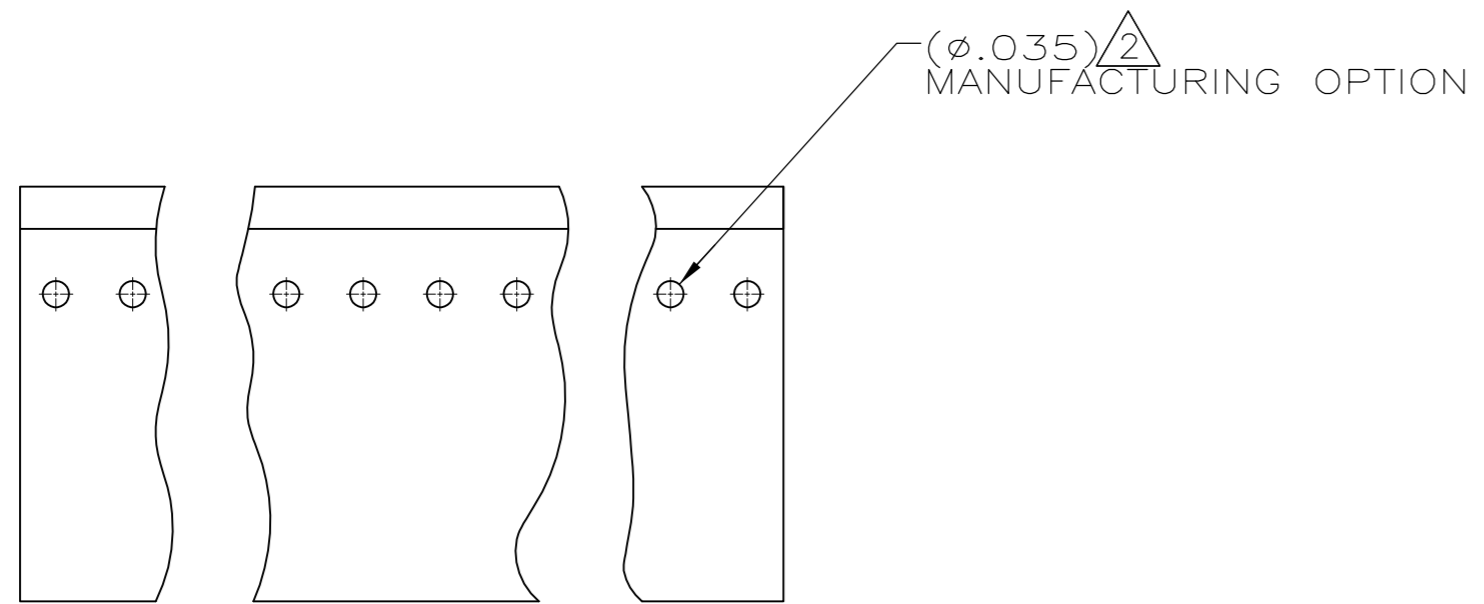
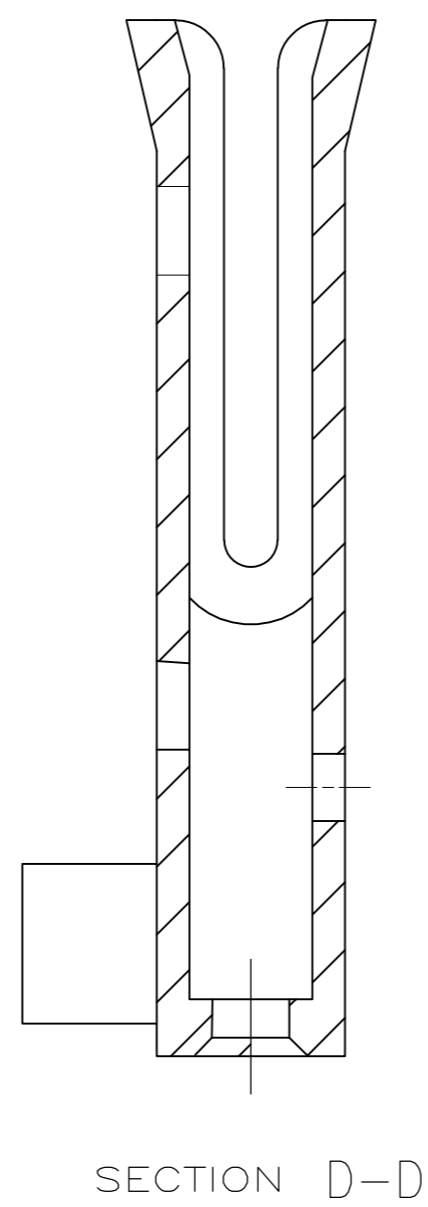
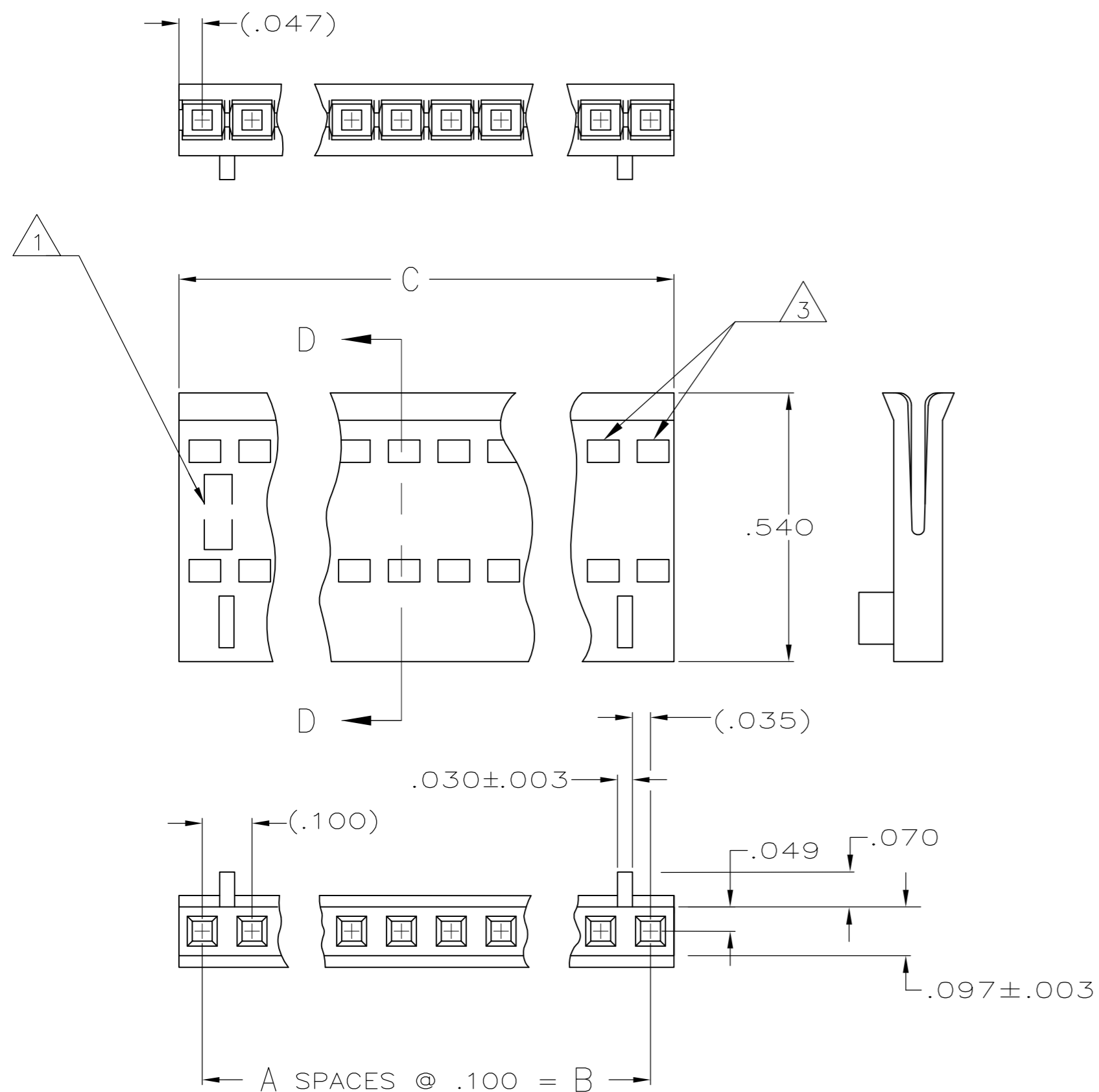


THIS DRAWING IS UNPUBLISHED. RELEASED FOR PUBLICATION  
 © COPYRIGHT - By - ALL RIGHTS RESERVED.

LOC	DIST	REVISIONS			
P	LTR	DESCRIPTION	DATE	DWN	APVD
GP	00	C	REVISED PER ECO-11-017188	05DEC2011	CJV/CWR

- 1 AMP TRADEMARK AND MOLD CAVITY IDENTIFICATION LOCATED AT EITHER END OF THE HOUSING IN APPROXIMATE LOCATION SHOWN.
- 2 THIS HOLE IS FOR MOLDING PURPOSES ONLY AND MAY BE FLASHED OVER.
- 3 WINDOWS MAY OR MAY NOT BE PRESENT ON THIS END OF HOUSING.



1.994	1.900	19	20	1761145-3
1.894	1.800	18	19	1761145-2
1.094	1.000	10	11	1761145-1
C	B	A	NO OF POSNS	PART NO

DIMENSIONS:		TOLERANCES UNLESS OTHERWISE SPECIFIED:		MATERIAL		FINISH		WEIGHT		SCALE		SHEET		REV	
INCHES		0 PLC	± -	PBT, UL94V-0		-		-		A2		1 of 1		C	
INCHES		1 PLC	± -	COLOR: BLACK		-		-		NTS		1 of 1		C	
INCHES		2 PLC	± -												
INCHES		3 PLC	± .005												
INCHES		4 PLC	± -												
INCHES		ANGLES	± -												
INCHES		FINISH	± -												