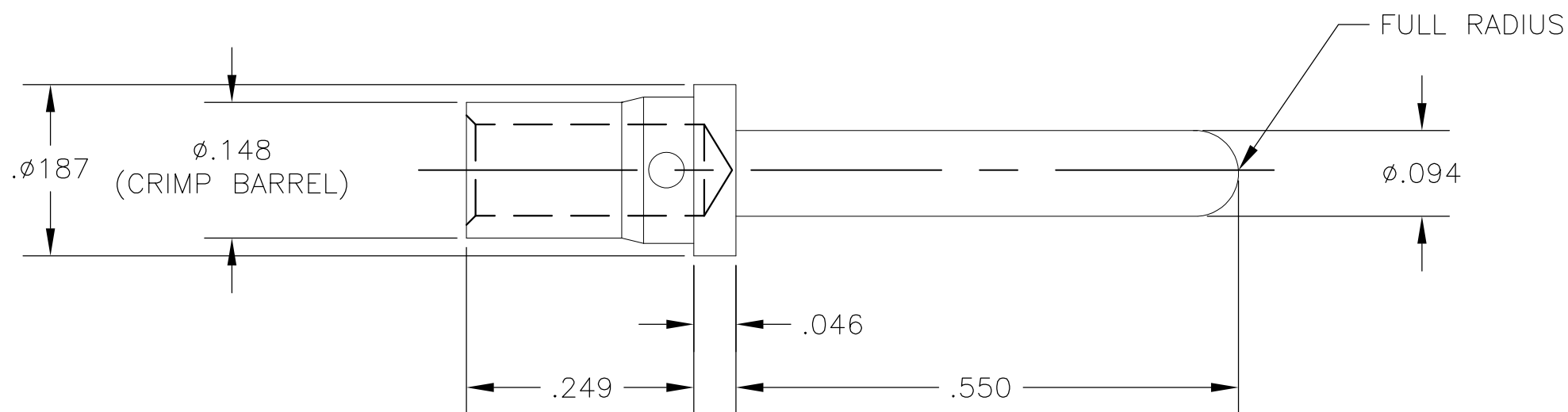


THIS DRAWING IS UNPUBLISHED. RELEASED FOR PUBLICATION
 © COPYRIGHT - BY TYCO ELECTRONICS CORPORATION. ALL RIGHTS RESERVED.

LOC	DIST	REVISIONS					
GP	00	P	LTR	DESCRIPTION	DATE	DWN	APVD
			B	REV PER ECO-08-014775	25JUN08	RG	DO



5. REFERENCE ELCON SERIES 701-12-02107
4. FINISH: SILVER PLATED .000200 MIN THK.
OVER NICKEL .000050 MIN THK.
3. MATERIAL: COPPER ALLOY
2. ITEMS PROVIDED TO THIS SPECIFICATION SHALL BE IDENTIFIED ON THE CONTAINER WITH THE FOLLOWING INFORMATION:
PART NUMBER & DATE CODE OF MANUFACTURE.
1. PART NUMBER CHANGES AND/OR DESIGN CHANGES AFFECTING ITEM INTERCHANGEABILITY REQUIRE PRIOR TYCO ELECTRONICS APPROVAL AND AUTHORIZATION BY REVISION TO THIS DRAWING.

1766193-1
PART NUMBER

THIS DRAWING IS A CONTROLLED DOCUMENT.		DWN	R.GRZYBOWSKI	31MAR06	Tyco Electronics Corporation Harrisburg, PA 17105-3608			
DIMENSIONS: INCHES		CHK	S.FLICKINGER	31MAR06				NAME
		TOLERANCES UNLESS OTHERWISE SPECIFIED:		APVD	PIN CONTACT, SIZE #12 CRIMP, STANDARD, .43 PIN EXT.			
MATERIAL SEE NOTE 3		FINISH -		PRODUCT SPEC	-			
				APPLICATION SPEC	-			
				WEIGHT	-			
				CUSTOMER DRAWING	SIZE	CAGE CODE	DRAWING NO	RESTRICTED TO
					A3	00779	C-1766193	-
					SCALE	SHEET	REV	
					6:1	1 OF 1	B	