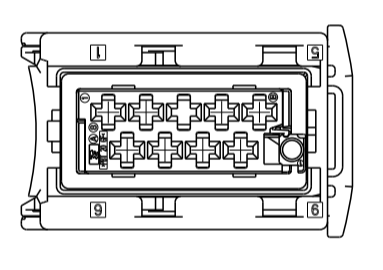
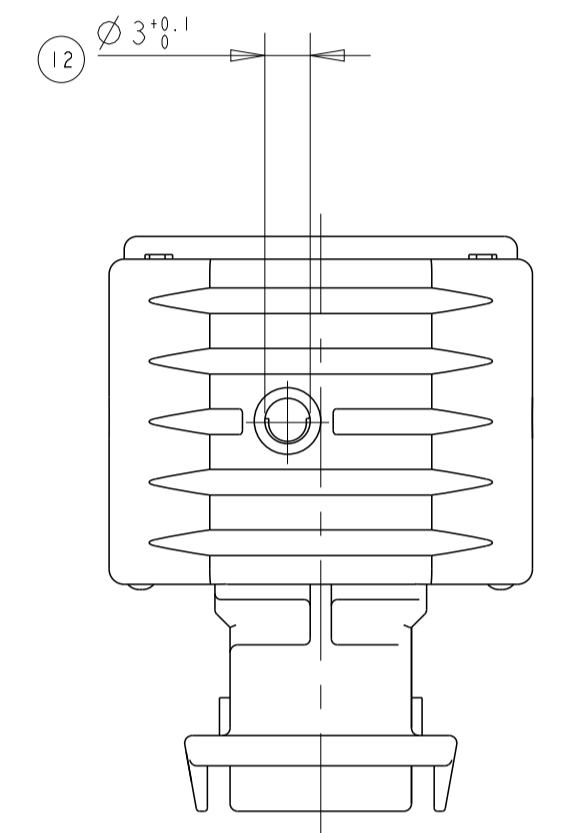
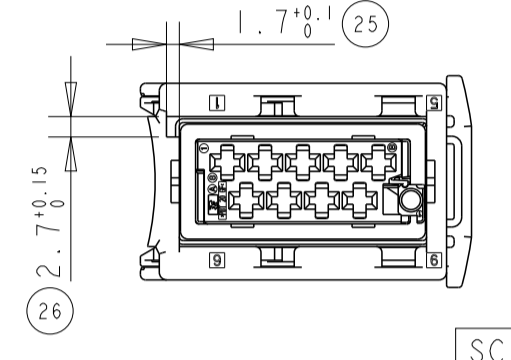
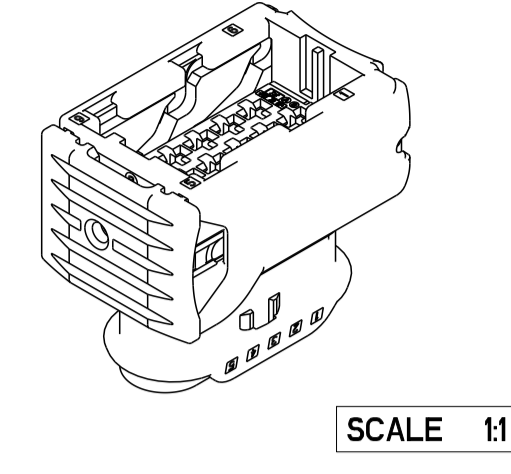
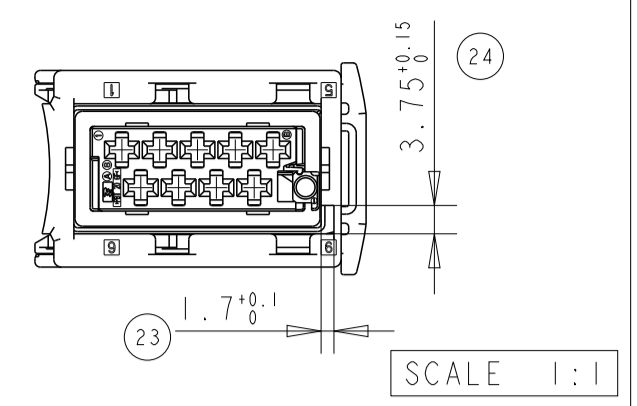
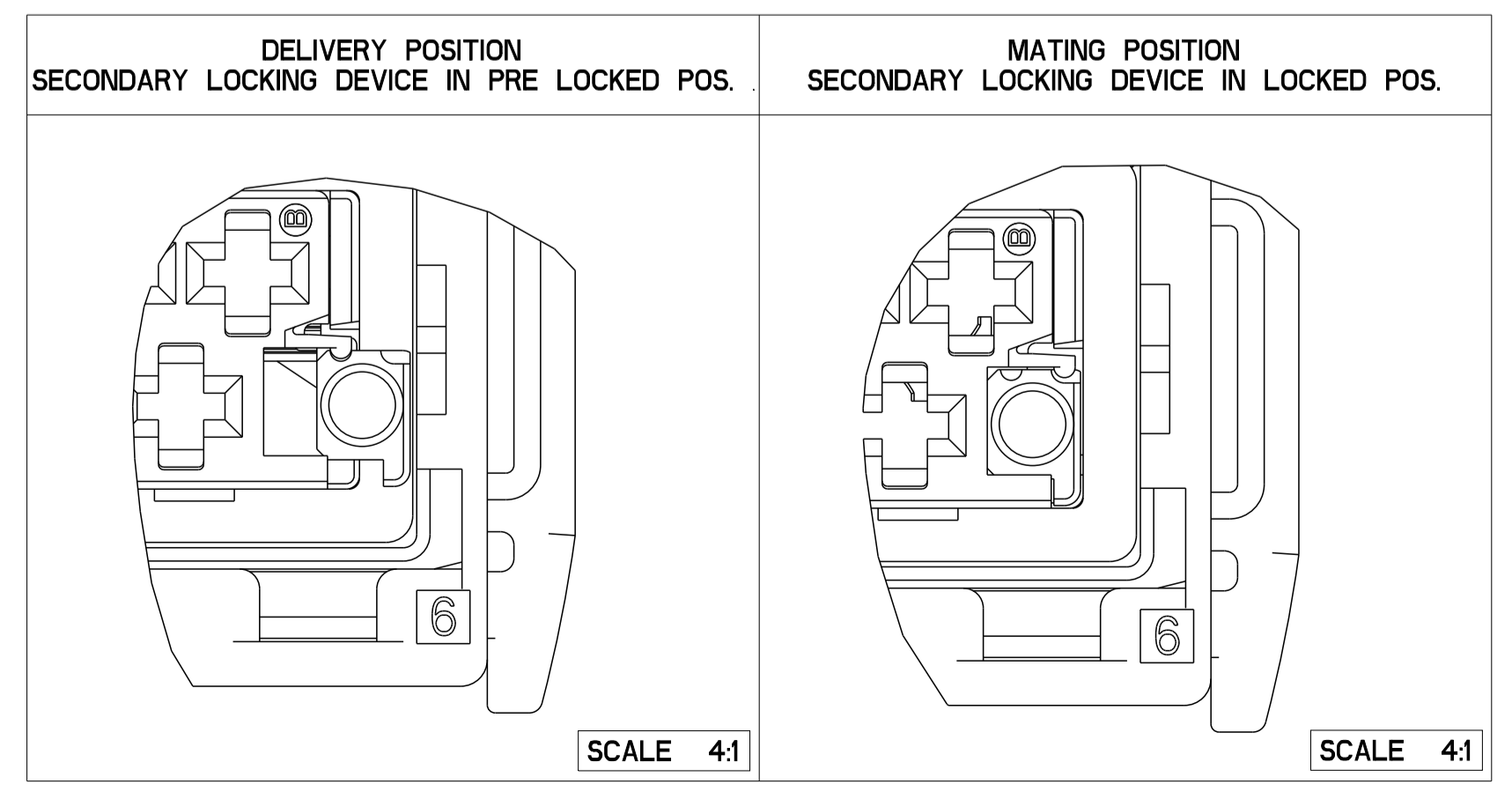
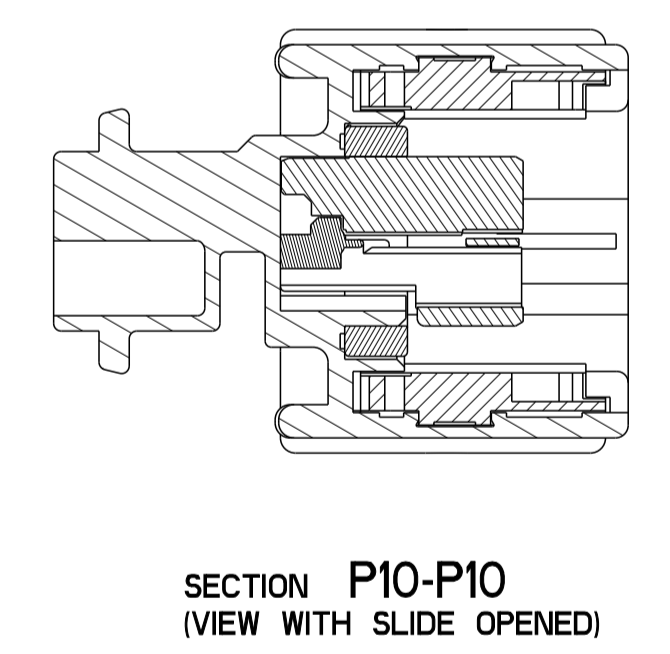
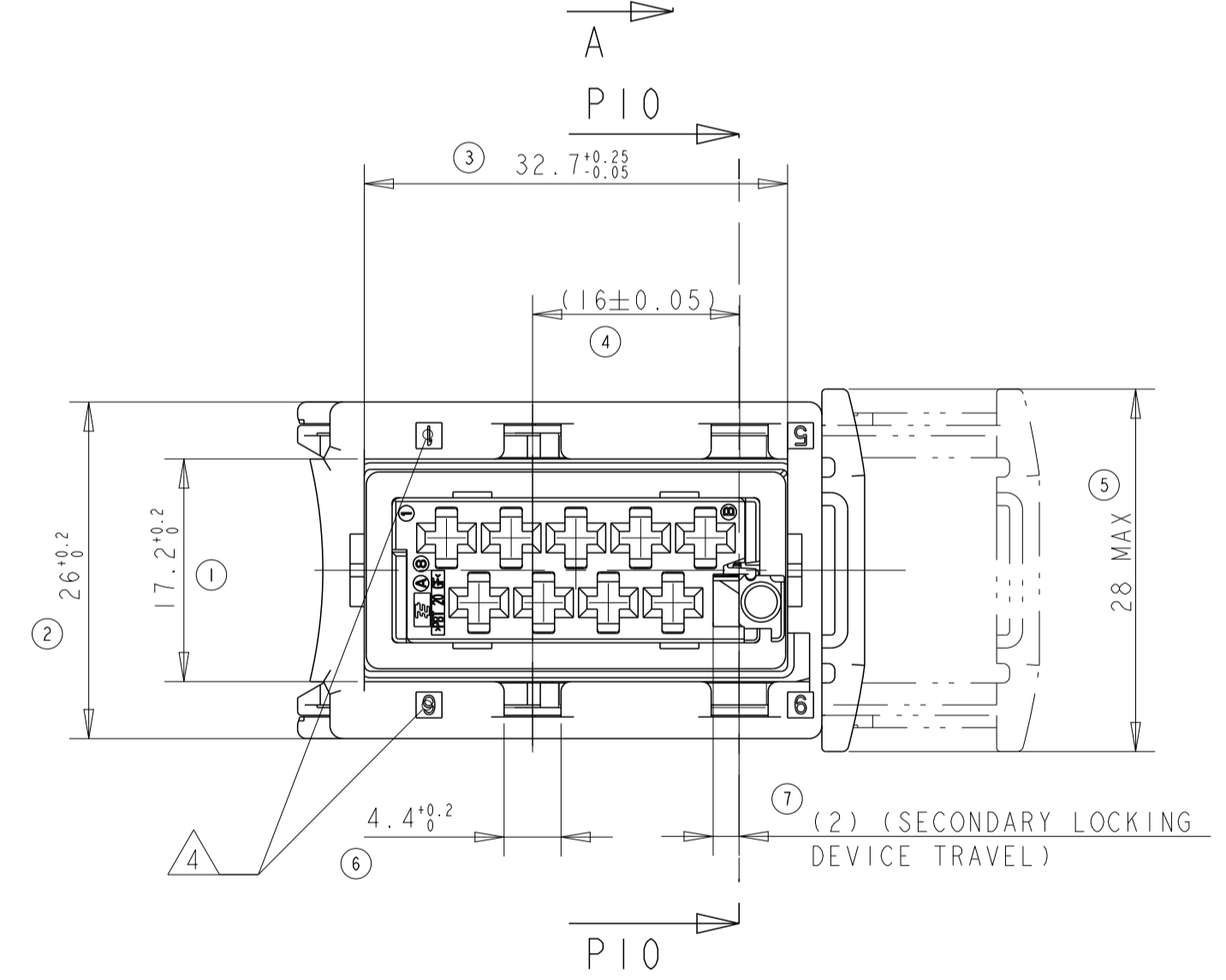
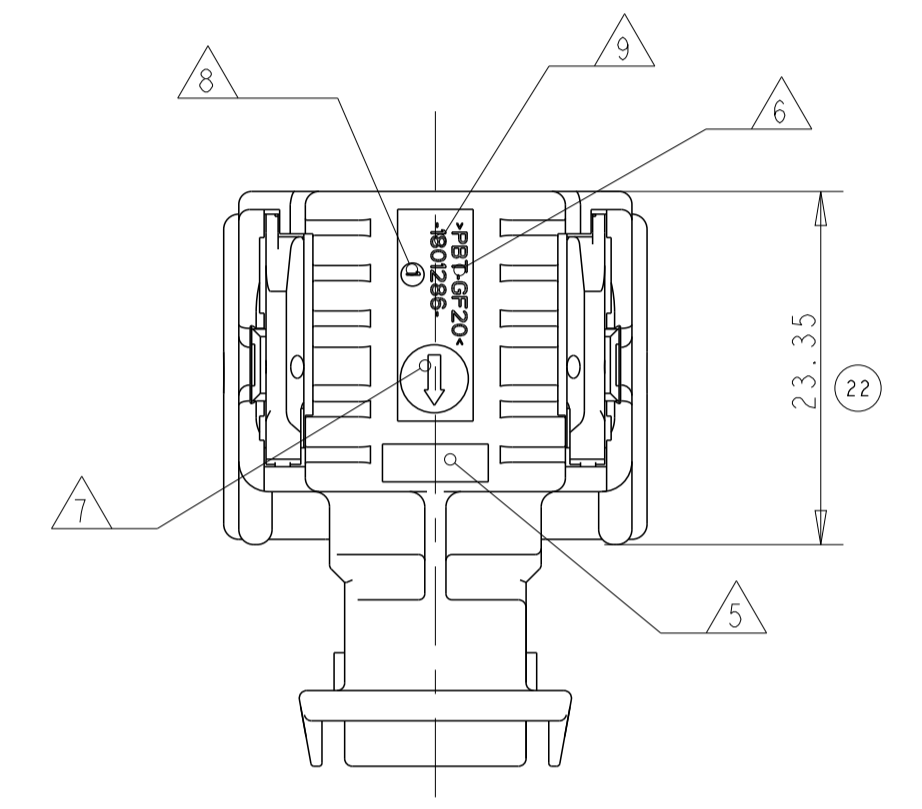
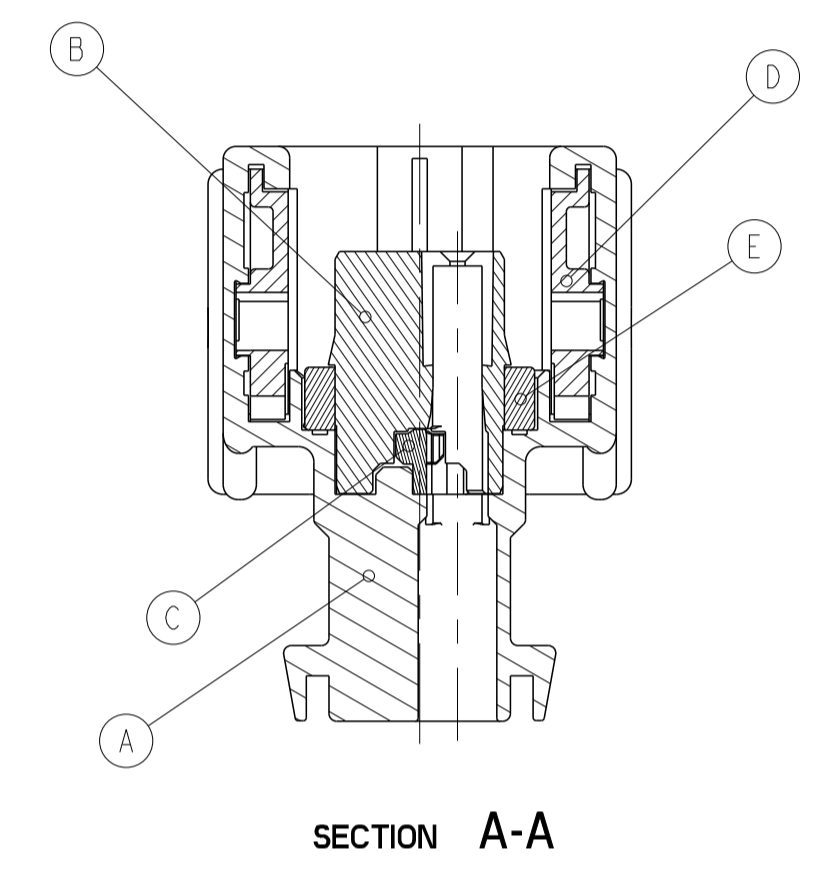
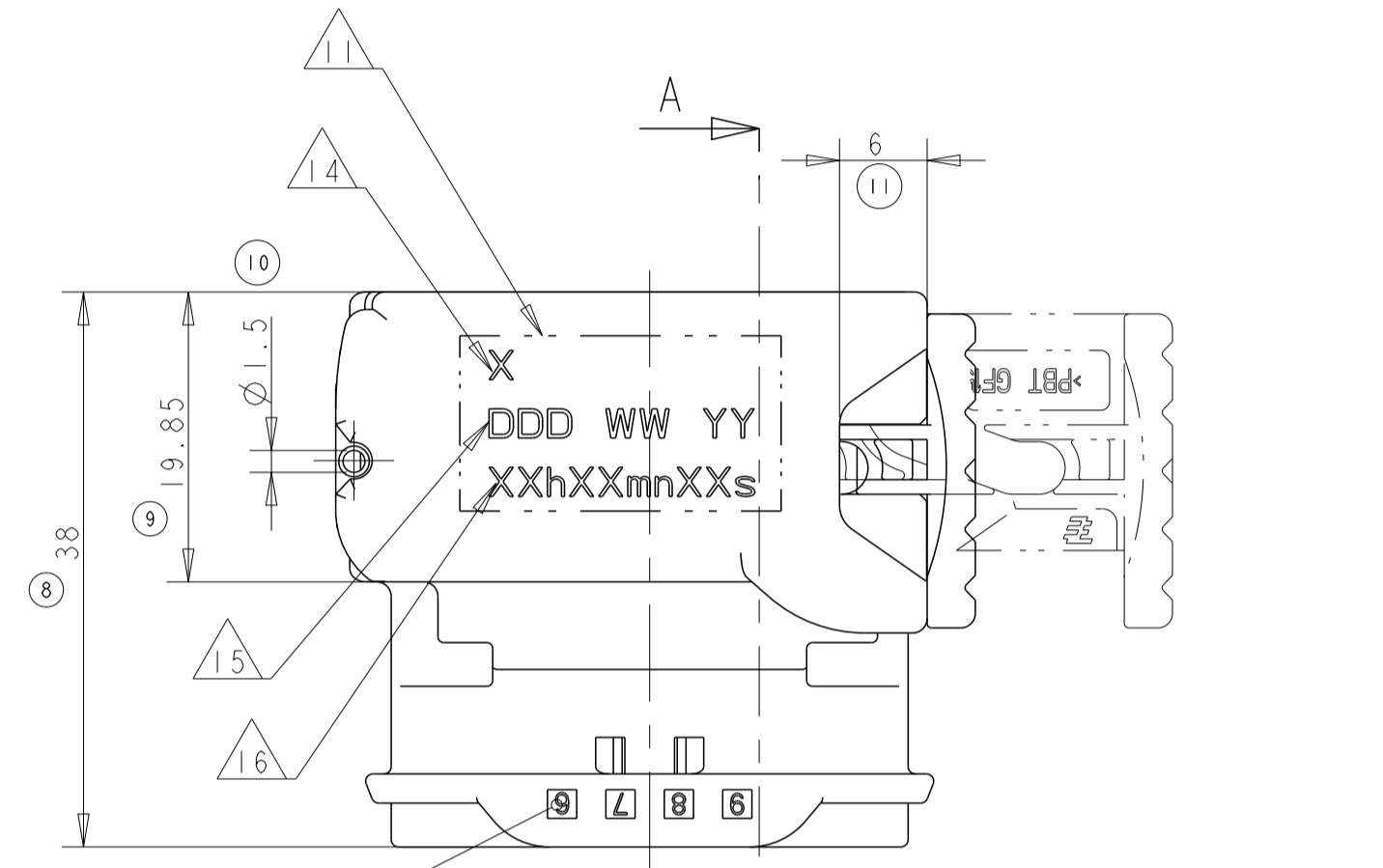
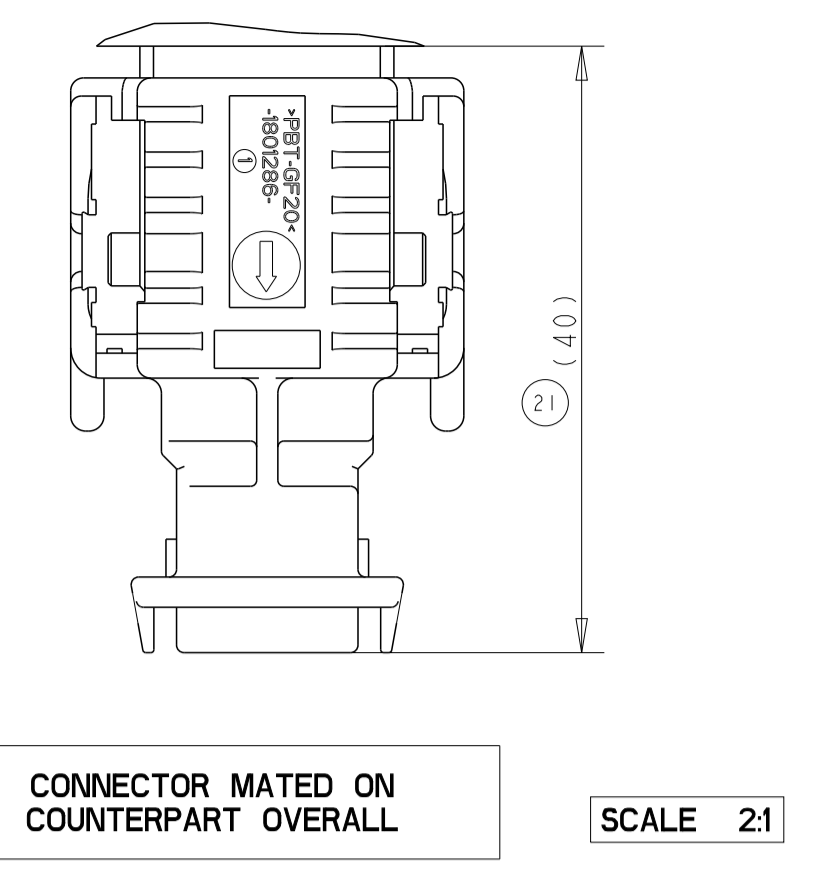
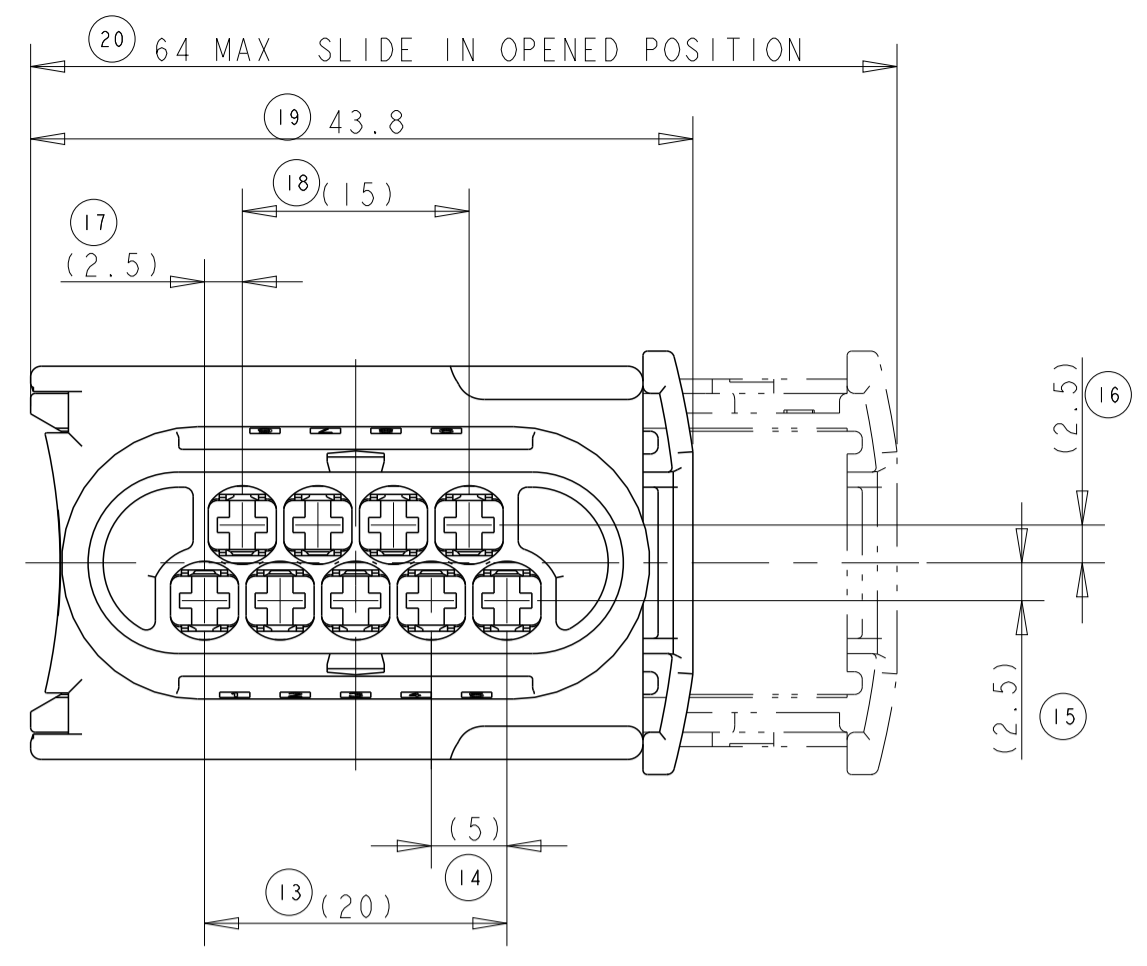


P/N	TE	PRC
1801286-1	BLACK	
1801286-X	WHITE	
1801286-3	GRAY	
1801286-X	GREEN	
1801286-X	BROWN	
1801286-6	VIOLET	



Rep	DESIGNATION	MATERIAL	QTY	PRC
E	INTERFACIAL SEAL	Silicon	1	
D	SLIDE	PBT 15 % GF	1	
C	SECONDARY LOCKING DEVICE	PBT 30% GF	1	
B	FRONT FACE	PBT 20% GF	1	
A	MAIN HOUSING	PBT 20% GF	1	



	COMPONENTS	TE P/N	OBS.
	CAVITY PLUG	0-0828922-1	NATURAL
WIRE RANGE 0.5 TO 1 MM ²	REC. AMP MCP 2.8 TINNED	1-968855-1	
	SINGLE WIRE SEAL (INS. Ø 1.2 a 2.1)	0-963294-1	BLUE
WIRE RANGE 1.5 TO 2.5 MM ²	CLIP AMP MCP 2.8 TINNED	1-968857-1	
	SINGLE WIRE SEAL (INS. Ø 2 a 2.7)	0-0963293-1	RED BROWN
2.5 ²	SINGLE WIRE SEAL (INS. Ø 2.7 a 3)	0-0963292-1	YELLOW

NOTE:

- 1801286-1 : SHOWN
- CAVITY CONFORM WITH PSA DRAWING
- PACKAGING IN LINE WITH SPEC.: E73-03-150G
- CAVITY MARKING
- LOGO TE
- MATERIAL MARKING
- DATE CODE
- MOLD CAVITY NUMBER
- TE P/N
- APPLICATION SPEC.: 411-15726
- AREA FOR ASS'Y MARKING
- PARTS TO BE USED WITH / SEE TABLE
- PRODUCT SPEC.: 108-15403
- PRC
- ASS'Y DATE
- ASS'Y HOUR

THIS DRAWING IS A CONTROLLED DOCUMENT. SEE PLAN ET/IN DOCUMENT CONTROLLE PAR TFCO ELECTRONICS COMP. TOUS DROITS RESERVES. TOUS DROITS RESERVES. POUR OBTENIR LE SERVICE TECHNIQUE DE TFCO ELECTRONICS, POUR OBTENIR LE SERVICE TECHNIQUE.

DMW/BESSINE 03 JAN 2017
 O. PAMART 03 JAN 2017
 X. ROULLARD 03 JAN 2017

NAME: 9 WAYS GEN 3 CONNECTOR
 REC. AMP MCP

SIZE: A1
 CAGE CODE: 100779
 DRAWING NO: 1801286

RESTRICTED TO RESERVE A

CUSTOMER DRAWING / PLAN CLIENT POUR REFERENCER

SCALE: 2:1

SHEET OF: 1

REV: A