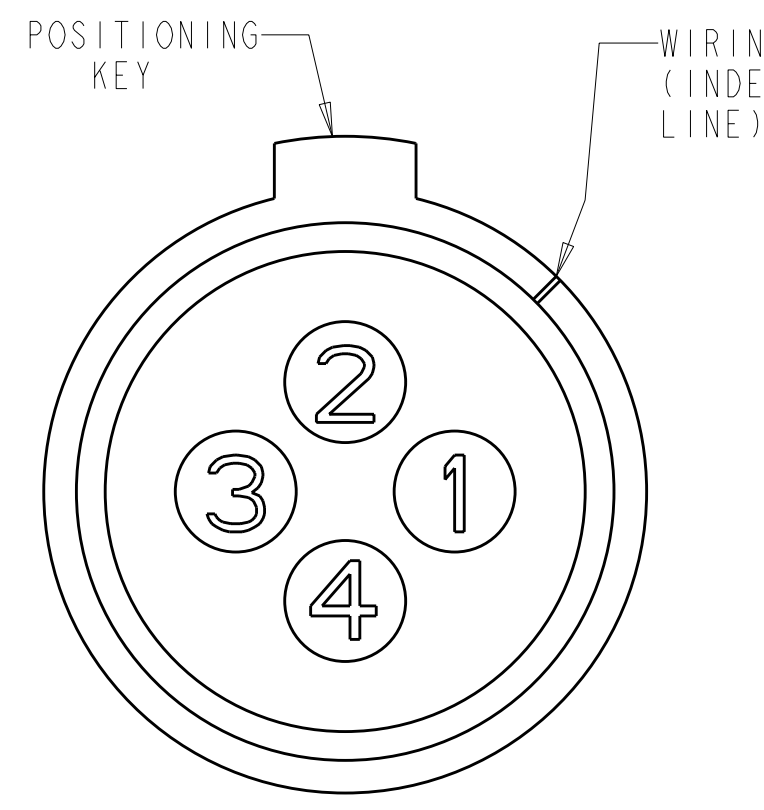
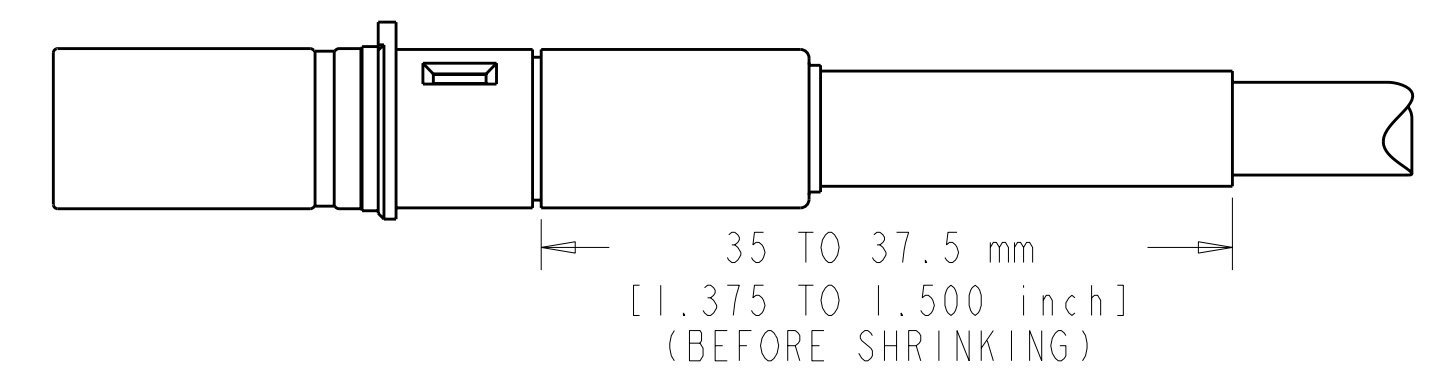


LOC	DIST	REV	DATE	BY	APPD
DF	A5	A	22JUN07	BH	RW

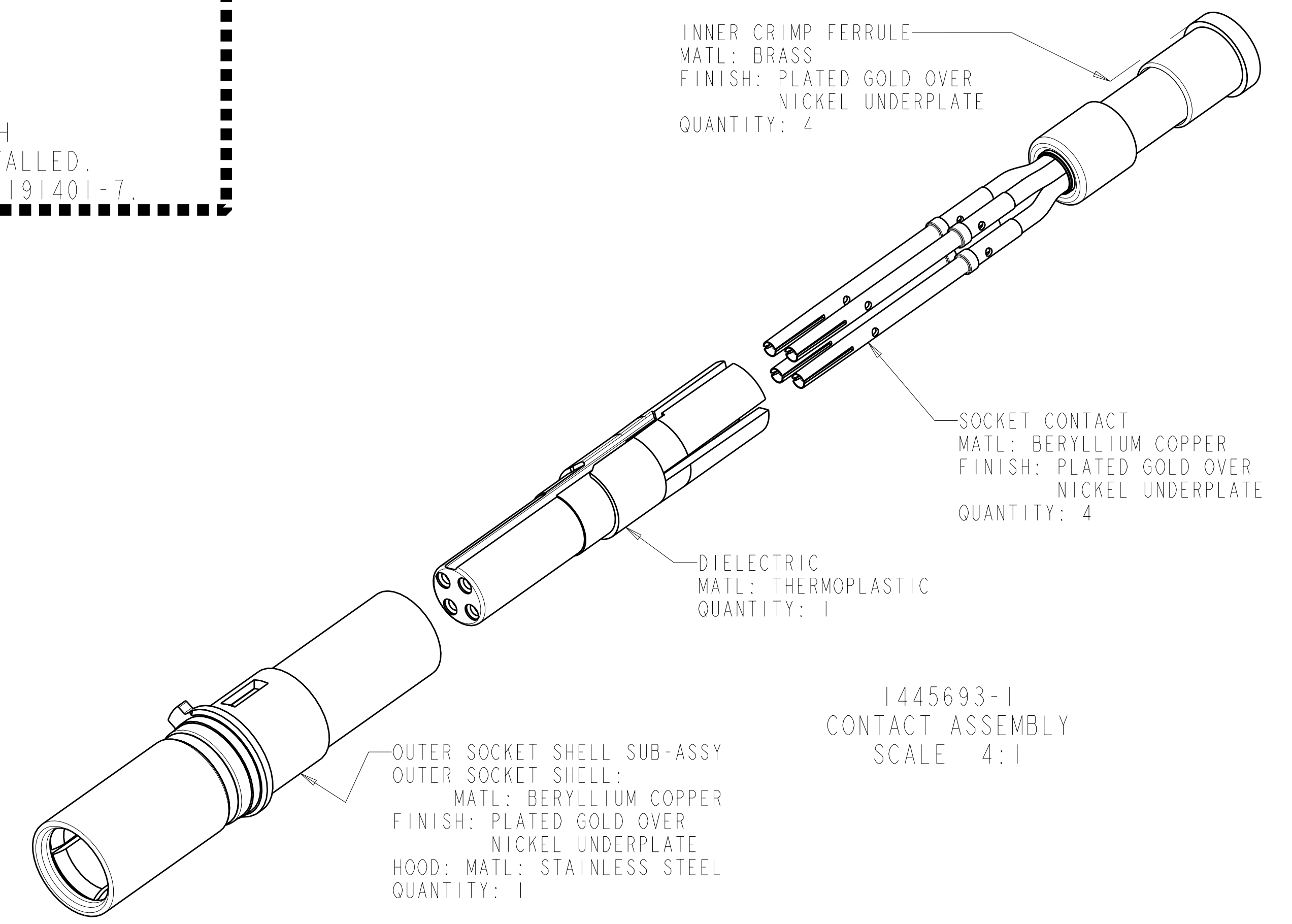


Rx-	4
Tx-	3
Rx+	2
Tx+	1
SIGNAL ALLOCATION	CAVITY NUMBER

**CONTACT CAVITY NUMBERING  
 STANDARD CAVITY NUMBER ASSIGNMENT**



1811010-1 QUADRAX SOCKET ASSEMBLY SHOWN WITH  
 ADHESIVE-LINED POLYOLEFIN HEAT-SHRINK TUBING INSTALLED.  
 TYCO ELECTRONICS/RAYCHEM BULK TUBING PART NUMBER 4-1191401-7.



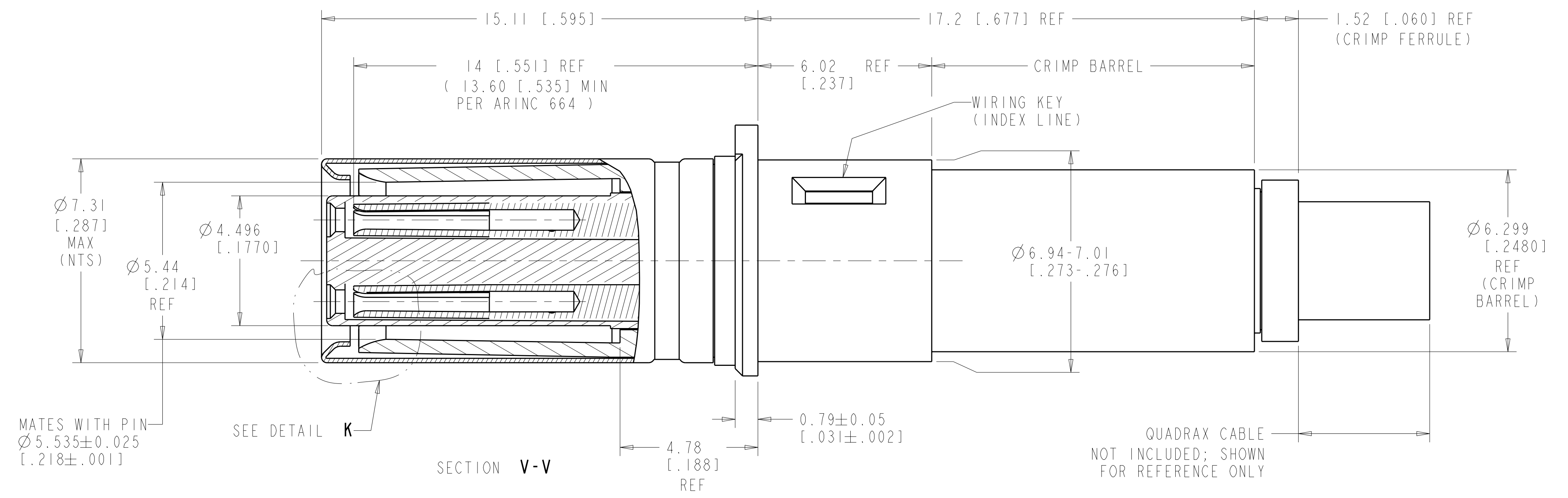
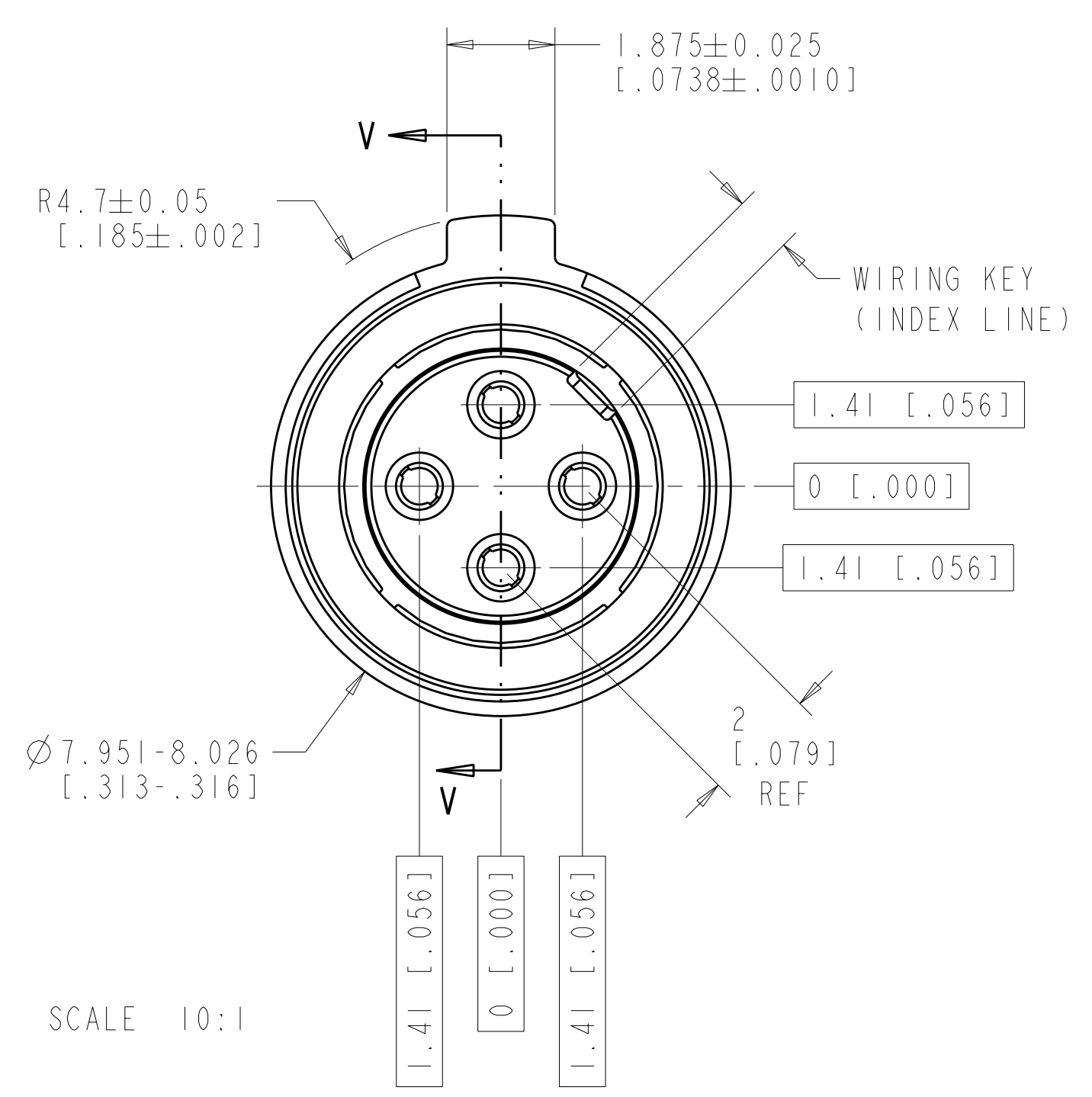
INNER CRIMP FERRULE  
 MATL: BRASS  
 FINISH: PLATED GOLD OVER  
 NICKEL UNDERPLATE  
 QUANTITY: 4

SOCKET CONTACT  
 MATL: BERYLLIUM COPPER  
 FINISH: PLATED GOLD OVER  
 NICKEL UNDERPLATE  
 QUANTITY: 4

DIELECTRIC  
 MATL: THERMOPLASTIC  
 QUANTITY: 1

OUTER SOCKET SHELL SUB-ASSY  
 OUTER SOCKET SHELL:  
 MATL: BERYLLIUM COPPER  
 FINISH: PLATED GOLD OVER  
 NICKEL UNDERPLATE  
 HOOD: MATL: STAINLESS STEEL  
 QUANTITY: 1

1445693-1  
 CONTACT ASSEMBLY  
 SCALE 4:1

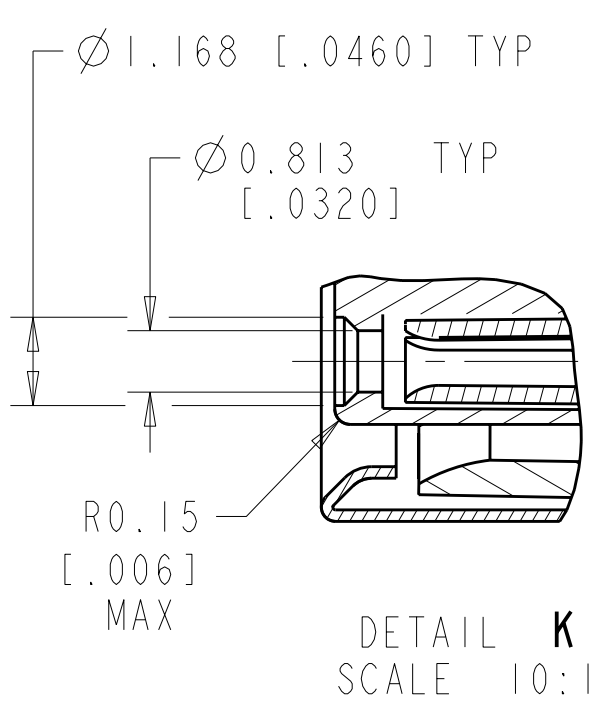


MATES WITH PIN  
 $\varnothing 5.535 \pm 0.025$   
 [2.18 ± .001]

SEE DETAIL K

QUADRAX CABLE  
 NOT INCLUDED; SHOWN  
 FOR REFERENCE ONLY

SCALE 10:1



DETAIL K  
 SCALE 10:1

- COMPONENTS ARE PACKAGED IN KIT FORM. CABLE PURCHASED SEPARATELY.
- ASSEMBLY PER APPLICATION SPECIFICATION 114-13123.
- USE INSERTION-EXTRACTION TOOL TYCO P/N 1738894-1.

DIMENSIONS:		TOLERANCES UNLESS OTHERWISE SPECIFIED:		MATERIAL:		FINISH:		WEIGHT:		CUSTOMER DRAWING:	
mm	[INCH]	9 PLC	±	9 PLC	±	9 PLC	±	9 PLC	±	9 PLC	±
1.41	[.056]	1 PLC	±0.2	1 PLC	±0.2	1 PLC	±0.2	1 PLC	±0.2	1 PLC	±0.2
0	[.000]	5 PLC	±0.13	5 PLC	±0.13	5 PLC	±0.13	5 PLC	±0.13	5 PLC	±0.13
1.41	[.056]	4 PLC	±0.051	4 PLC	±0.051	4 PLC	±0.051	4 PLC	±0.051	4 PLC	±0.051
2	[.079]	ANGLES	±	ANGLES	±	ANGLES	±	ANGLES	±	ANGLES	±

DESCRIPTION	PART NO.
QUADRAX SOCKET CONTACT 1445693-1 WITH HEAT-SHRINK TUBING	1811010-1

NAME	SIZE	CAGE CODE	DRAWING NO.	RESTRICTED TO
W. H. BERNHART	A11	00779	C=1811010	