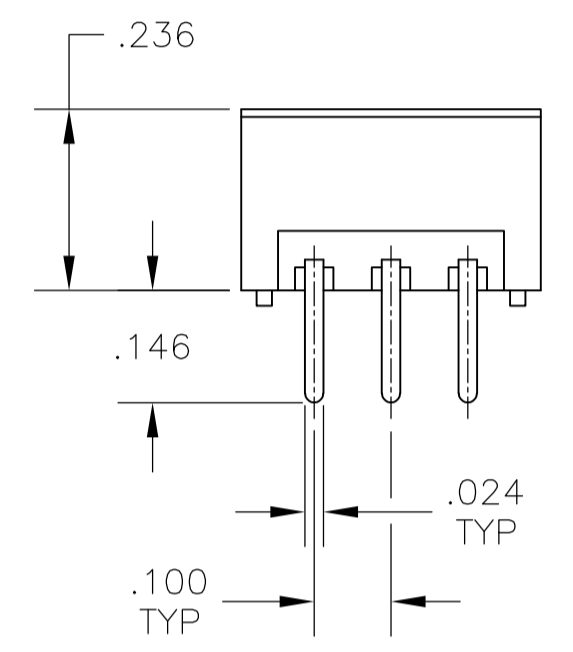
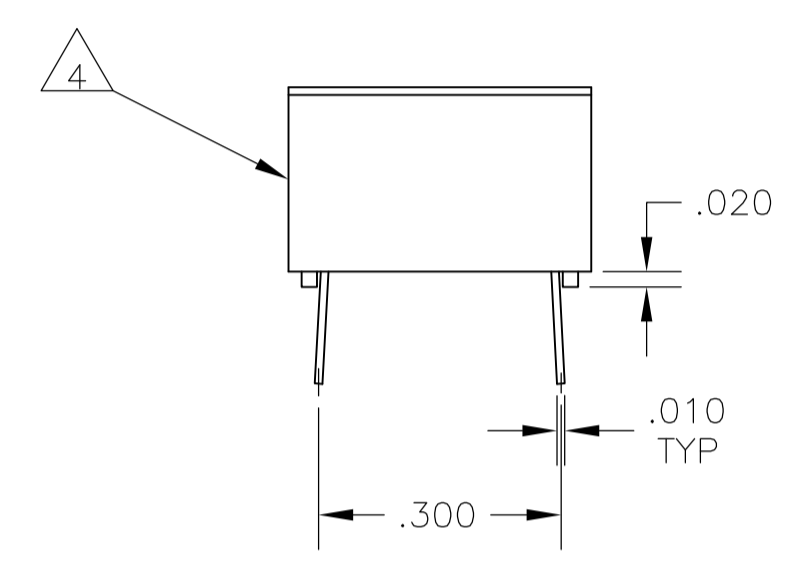
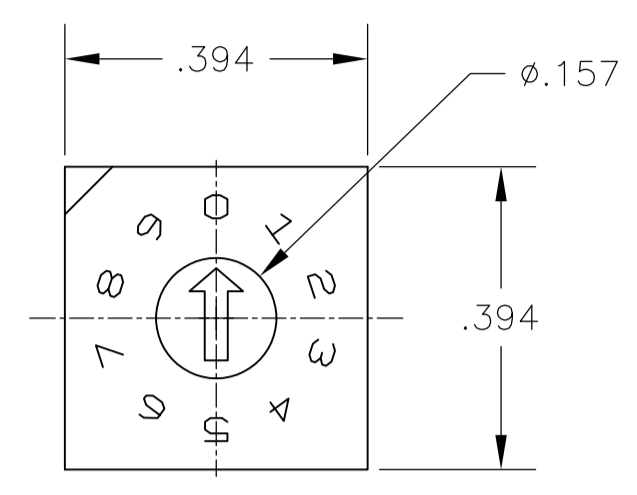
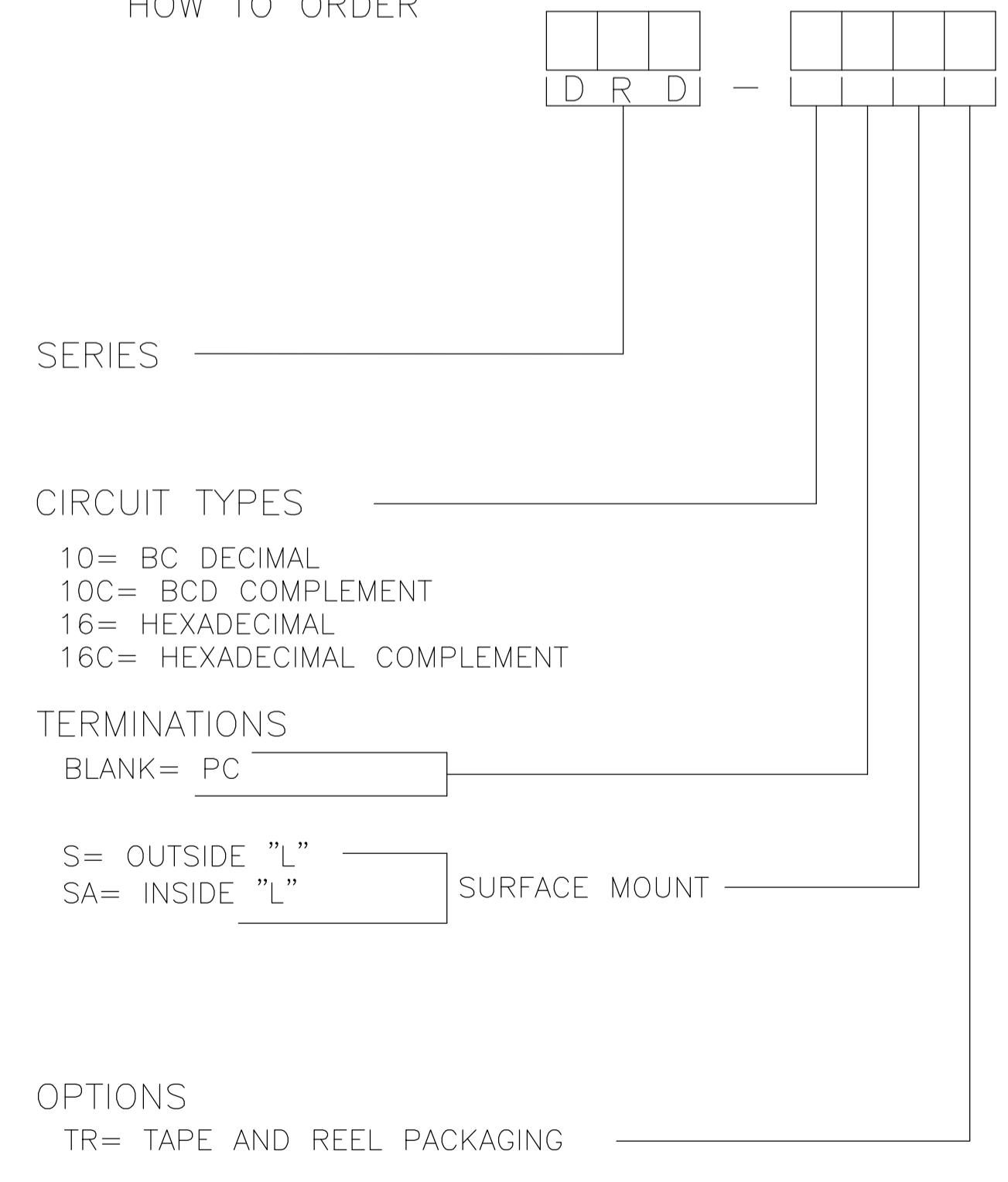


| REVISIONS | | | | | |
|-----------|-------------|---------------|-----------|-----|------|
| P | LTR | DESCRIPTION | DATE | DMN | APVD |
| A5 | REVISED PER | ECO-17-001765 | 05MAY2017 | SK | AS |



PC MOUNT

HOW TO ORDER



SPECIFICATIONS:

MATERIAL:
 FRAME & CASE- PPS UL94V-0, BLACK
 ROTOR, PA6T UL94V-0, COLOR SEE P/N TABLE
 FIXED CONTACT/TERMINAL- COPPER ALLOY, GOLD FLASH OVER NICKEL PLATE
 MOVING CONTACT- COPPER ALLOY, GOLD FLASH OVER NICKEL PLATE
 BALL SUPPORT PLATE- COPPER ALLOY
 BALL- STAINLESS STEEL
 DETENT SPRING- STAINLESS STEEL
 O-RING- SILICON RUBBER

ELECTRICAL:
 CONTACT RATING- 0.4VA@ 20V DC OR PEAK AC
 INITIAL CONTACT RESISTANCE- 50 MILLIOHMS MAX
 INSULATION RESISTANCE- 1,000 MEGOHMS@100V DC
 DIELECTRIC STRENGTH- 300V AC
 LIFE EXPECTANCY- 10,000 ROTATIONS

MECHANICAL:
 OPERATING FORCE- 13.88 OZF.IN. MAX

ENVIRONMENTAL:
 OPERATING TEMPERATURE- -30°C TO +85°C
 STORAGE TEMPERATURE- -45°C TO +100°C
 RESISTANCE TO SOLDER HEAT-PER 109-202, COND B (THRU-HOLE) OR 109-201, COND B (SMT)
 SOLDERABILITY-PER JIS C 0050 & JIS C 0053

NOTES:

- ALL MATERIALS AND FINISHES SHALL COMPLY WITH EU DIRECTIVE 2002/95/EC OF 27JAN2003 (ROHS).
 - TAPE & REEL PACKAGING PER EIA-481.
 - COMMON TERMINALS ARE CONNECTED INTERNALLY.
- △ LOCATE 'ALCO' TRADE NAME AND LOT NUMBER MARKING. LOT NUMBER TO BE MARKED AS FOLLOW:
 4 F
 1ST DIGIT 2ND DIGIT
 YEAR 1194 MONTH 6
 MARK WITH PERMANENT WHITE INK.
 △ TOP TAPE SEAL INCLUDED.

| MTG TYPE | ROTOR COLOR | CASE COLOR | ALCO P/N | PART NO. |
|-----------|-------------|------------|---------------|-------------|
| THRU-HOLE | BLACK | BLACK | DRD16ET04 | 2-1825007-2 |
| THRU-HOLE | RED | BLACK | DRD10ET04 | 2-1825007-1 |
| SMT | BLACK | BLACK | DRD16SETR04 | 2-1825007-0 |
| SMT | BLACK | BLACK | DRD16SAETR04 | 1-1825007-9 |
| SMT | BLACK | BLACK | DRD16SE04 | 1-1825007-8 |
| SMT | BLACK | BLACK | DRD16SAE04 | 1-1825007-7 |
| THRU-HOLE | BLACK | BLACK | DRD16E04 | 1-1825007-6 |
| SMT | WHITE | BLACK | DRD16CSETR04 | 1-1825007-5 |
| SMT | WHITE | BLACK | DRD16CSAETR04 | 1-1825007-4 |
| SMT | WHITE | BLACK | DRD16CSE04 | 1-1825007-3 |
| SMT | WHITE | BLACK | DRD16CSAE04 | 1-1825007-2 |
| THRU-HOLE | WHITE | BLACK | DRD16CE04 | 1-1825007-1 |
| SMT | RED | BLACK | DRD10SETR04 | 1-1825007-0 |
| SMT | RED | BLACK | DRD10SAETR04 | 1825007-9 |
| SMT | RED | BLACK | DRD10SE04 | 1825007-8 |
| SMT | RED | BLACK | DRD10SAE04 | 1825007-7 |
| THRU-HOLE | RED | BLACK | DRD10E04 | 1825007-6 |
| SMT | ORANGE | BLACK | DRD10CSETR04 | 1825007-5 |
| SMT | ORANGE | BLACK | DRD10CSAETR04 | 1825007-4 |
| SMT | ORANGE | BLACK | DRD10CSE04 | 1825007-3 |
| SMT | ORANGE | BLACK | DRD10CSAE04 | 1825007-2 |
| THRU-HOLE | ORANGE | BLACK | DRD10CE04 | 1825007-1 |

THIS DRAWING IS A CONTROLLED DOCUMENT. DSN: B.S.VISWESWARA 10MAY05

CIR: M.S.SARVER

APVD: M.S.SARVER

NAME: **STE** TE Connectivity

PRODUCT SPEC: ROTARY DIP DRD E SERIES

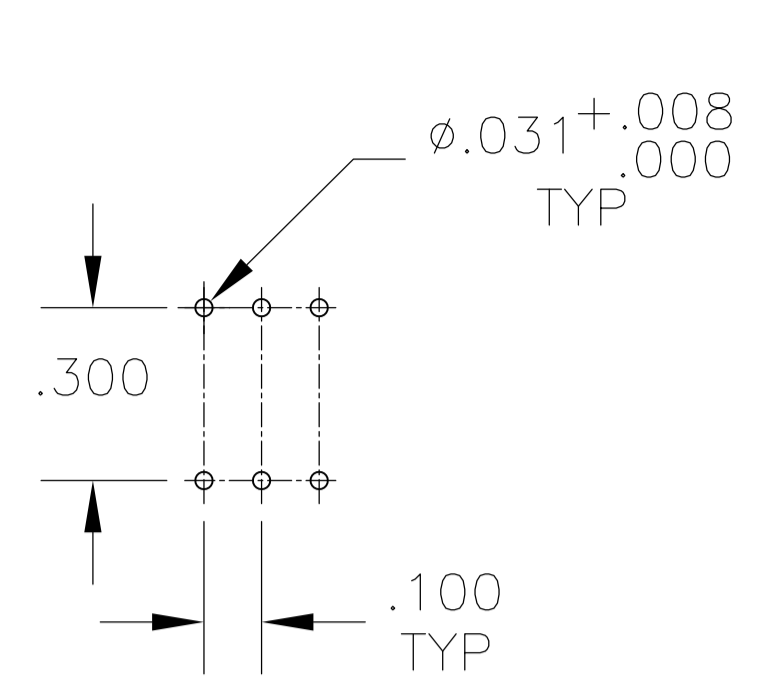
APPLICATION SPEC: -

SIZE: A1 CASE CODE: 00779 DRAWING NO: 1825007

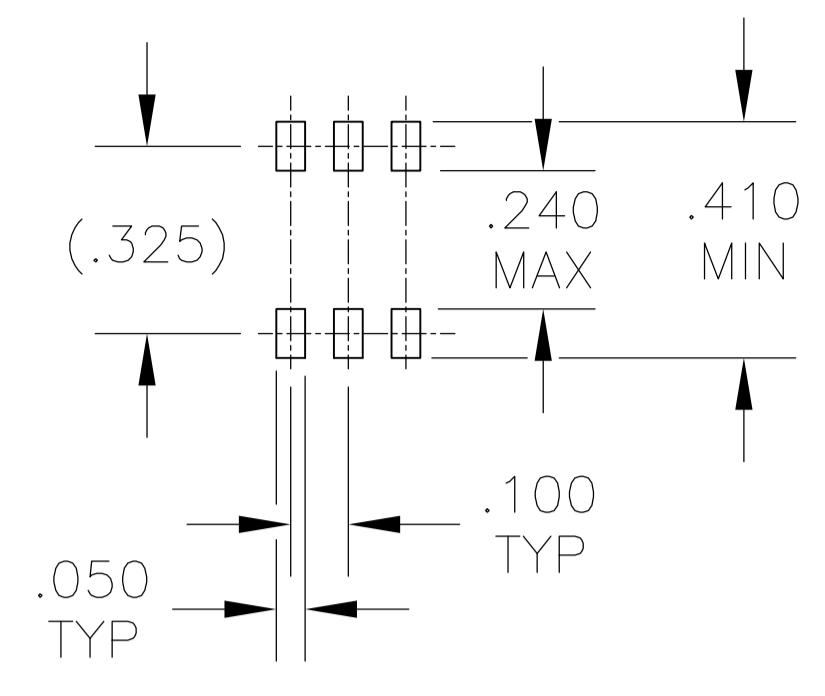
WEIGHT: 0

CUSTOMER DRAWING

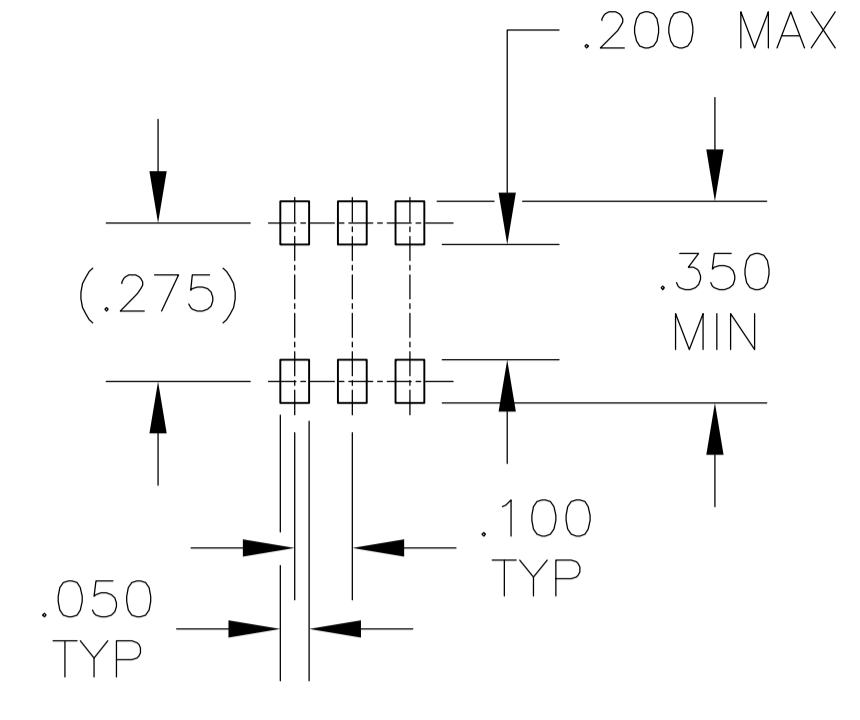
SCALE: 4:1 SHEET: 1 OF 2 REV: A5



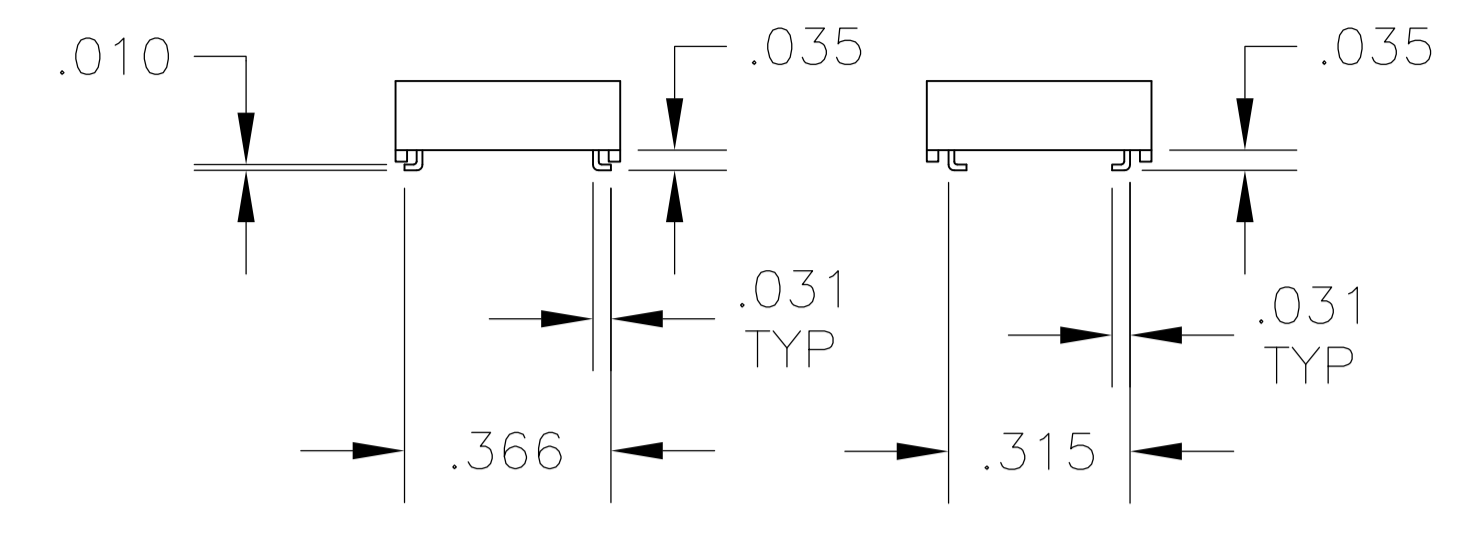
PC



OUTSIDE "L"



INSIDE "L"



OUTSIDE "L" TERMINAL VERTICAL

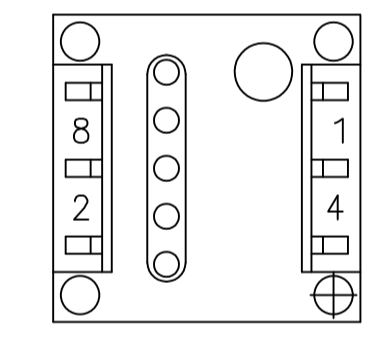
INSIDE "L" TERMINAL VERTICAL

PRINTED CIRCUIT BOARD LAYOUTS

TERMINAL CONFIGURATIONS

TRUTH TABLES

TERMINAL IDENTIFICATION (VIEWED FROM BOTTOM OF SWITCH)



10-POSITION, BCD ROTOR - RED

| POS | 0 | 1 | 2 | 3 | 4 | 5 | 6 | 7 | 8 | 9 |
|-----|---|---|---|---|---|---|---|---|---|---|
| C | X | X | X | X | X | X | X | X | X | X |
| 1 | | X | | X | | X | | X | | X |
| 2 | | | X | X | | | X | X | | |
| 4 | | | | | X | X | X | X | | |
| 8 | | | | | | | | | X | X |

16-POSITION, HEXADECIMAL ROTOR - BLACK

| POS | 0 | 1 | 2 | 3 | 4 | 5 | 6 | 7 | 8 | 9 | A | B | C | D | E | F |
|-----|---|---|---|---|---|---|---|---|---|---|---|---|---|---|---|---|
| C | X | X | X | X | X | X | X | X | X | X | X | X | X | X | X | X |
| 1 | | X | | X | | X | | X | | X | | X | | X | | X |
| 2 | | | X | X | | | X | X | | | X | X | | | X | X |
| 4 | | | | | X | X | X | X | | | | X | X | X | X | X |
| 8 | | | | | | | | | X | X | X | X | X | X | X | X |

10 POSITION, BCD COMPLEMENT ROTOR - ORANGE

| POS | 0 | 1 | 2 | 3 | 4 | 5 | 6 | 7 | 8 | 9 |
|-----------|---|---|---|---|---|---|---|---|---|---|
| \bar{C} | X | X | X | X | X | X | X | X | X | X |
| $\bar{1}$ | X | | X | | X | | X | | X | |
| $\bar{2}$ | X | X | | | X | X | | | X | X |
| $\bar{4}$ | X | X | X | X | | | | | X | X |
| $\bar{8}$ | X | X | X | X | X | X | X | X | | |

16-POSITION, HEXADECIMAL COMPLEMENT ROTOR - WHITE

| POS | 0 | 1 | 2 | 3 | 4 | 5 | 6 | 7 | 8 | 9 | A | B | C | D | E | F |
|-----------|---|---|---|---|---|---|---|---|---|---|---|---|---|---|---|---|
| \bar{C} | X | X | X | X | X | X | X | X | X | X | X | X | X | X | X | X |
| $\bar{1}$ | X | | X | | X | | X | | X | | X | | X | | X | |
| $\bar{2}$ | X | X | | | X | X | | | X | X | | | X | X | | |
| $\bar{4}$ | X | X | X | X | | | | | X | X | X | X | | | | |
| $\bar{8}$ | X | X | X | X | X | X | X | X | | | | | | | | |

| | | | | | |
|---|--|--|--|--|--|
| THIS DRAWING IS A CONTROLLED DOCUMENT. | | DIN 10MAY05 B.S.VISWESWARA | | TE Connectivity PRODUCT SPEC APPLICATION SPEC | |
| DIMENSIONS: INCHES | | TOLERANCES UNLESS OTHERWISE SPECIFIED: | | | |
| 0 PLC ± - 1 PLC ± - 2 PLC ± - 3 PLC ± .010 4 PLC ± - ± 1° ANGLES | | MATERIAL: SEE NOTE | | NAME: M.S.SARVER PRODUCT SPEC: - APPLICATION SPEC: - SIZE: A1 CAGE CODE: 00779 DRAWING NO: 1825007 WEIGHT: 0 CUSTOMER DRAWING | |
| | | SCALE: 4:1 | | SHEET 2 OF 2 | |