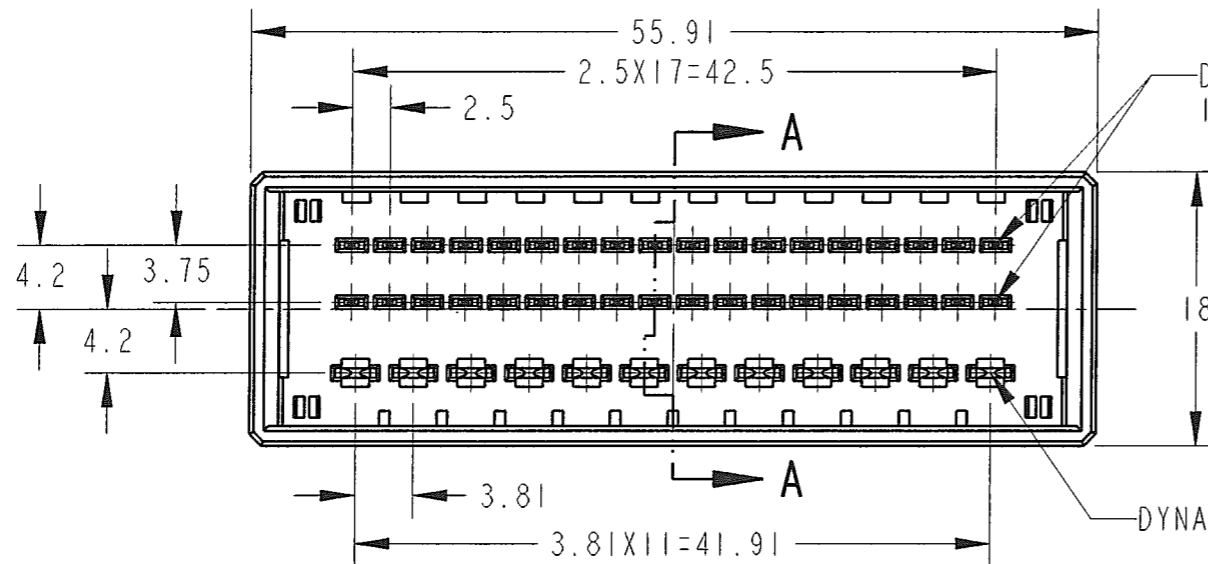
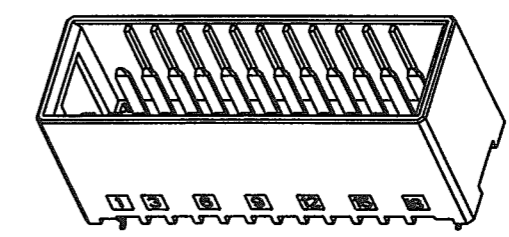


P	LTR	DESCRIPTION	DATE	DWN	APVD
B1		REVISED PER ECR-10-019595	04OCT10	HMR	TM

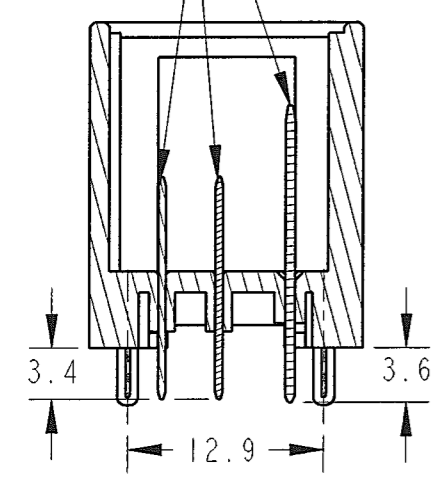


AS SHOWN:1827538-1

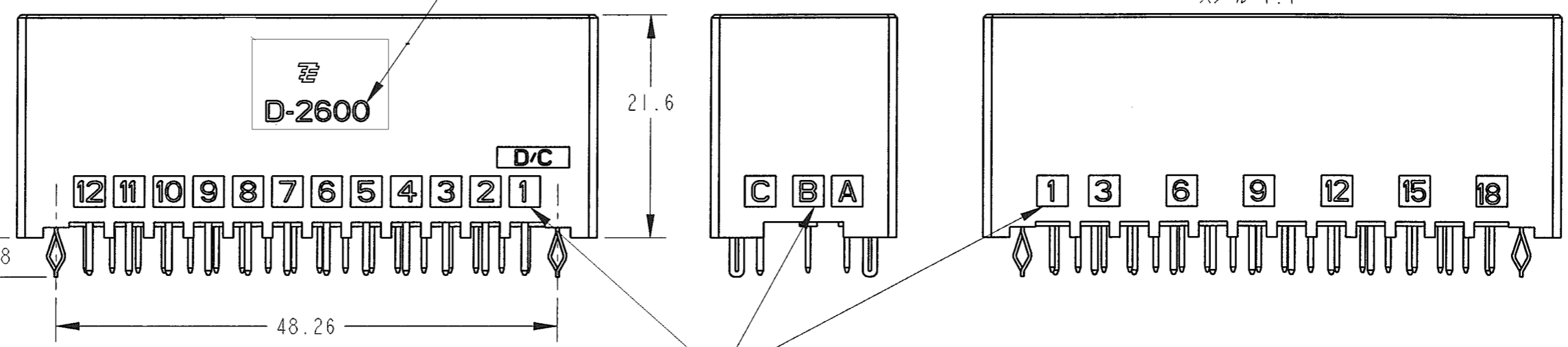


スケール 1:1

D-3 タブ"コンタクト  
D-2 タブ"コンタクト



断面 A-A



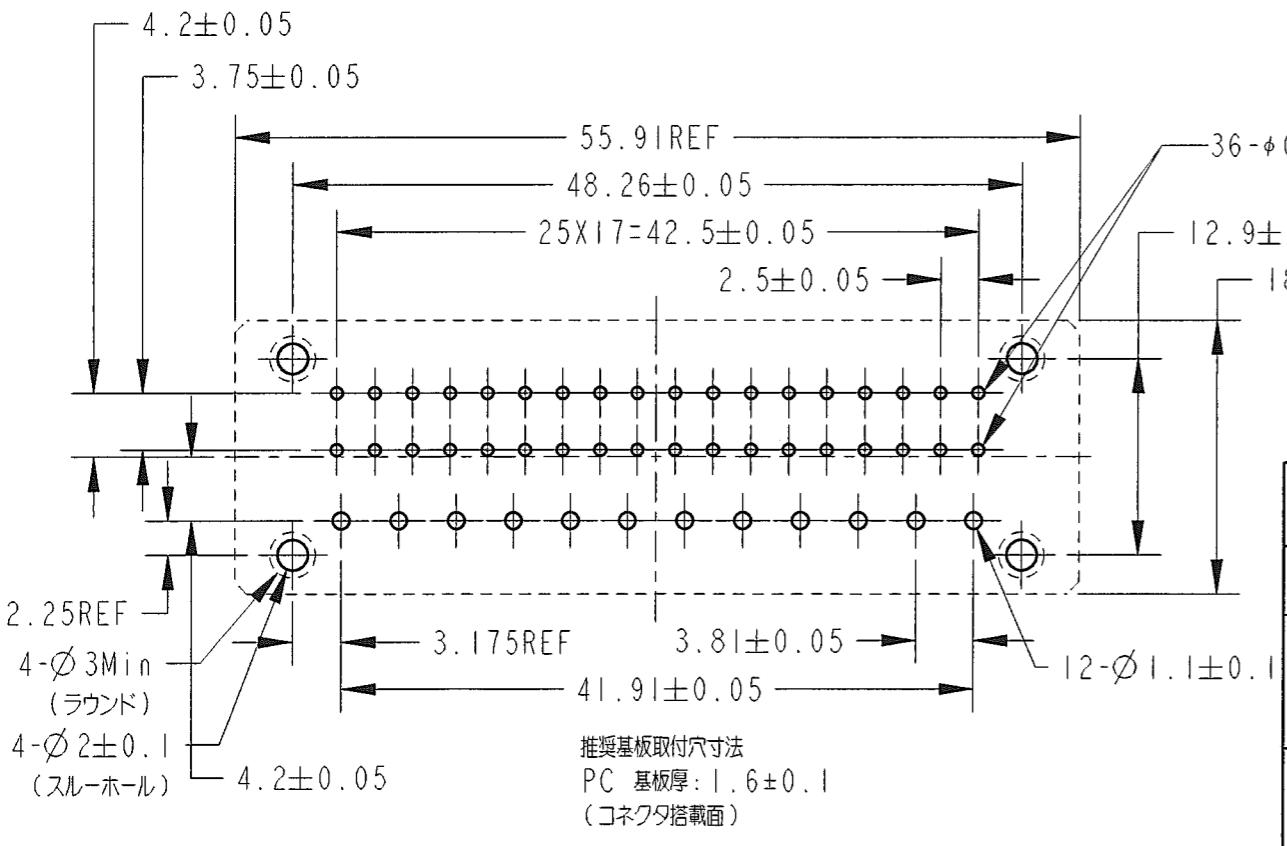
回路番号  
CIRCUIT NO

NOTES

- MATERIAL: HOUSING: GLASS FILLED THERMO PLASTIC, POLYESTER COLOR: BLACK  
CONTACT: COPPER ALLOY  
RETENTION LEG: COPPER ALLOY
- FINISH (CONTACT AREA): 0.38μm Min GOLD PLATING OVER Ni PLATING
- FINISH (RETENTION LEG): TIN PLATED OVER NICKEL (CONTACT TAIL)

注記

- 材料:ハウジング:ガラス入り熱可塑性ホリエステル樹脂 色:黒色  
コンタクト:銅合金  
リテンションレグ:銅合金
- メッキ:コンタクト:全面Ni下地 接触部:0.38μm Min 金メッキ
- メッキ:リテンションレグとコンタクト半田付け部:ニッケル下地の上にスズメッキ



THIS DRAWING IS A CONTROLLED DOCUMENT FOR TYCO ELECTRONICS CORPORATION IT IS SUBJECT TO CHANGE AND THE CONTROLLING ENGINEERING ORGANIZATION SHOULD BE CONTACTED FOR THE LATEST REVISION.		DWN 15. SEP. 2005 T. Sakamoto	Tyco Electronics AMP K.K. Kawasaki, Japan	
DIMENSIONS: mm		CHK	NAME	
TOLERANCES UNLESS OTHERWISE SPECIFIED:		APVD D. Mitaj 15 Sep '05	HYBRID V-HDR ASS'Y 48P <DYNAMIC D-2600 SERIES>	
0 PLC ±- 1 PLC ±- ±0.3 2 PLC ±- 3 PLC ±- 4 PLC ±- ANGLES ±-		PRODUCT SPEC 108-78301	SIZE A3	CAGE CODE 00779
MATERIAL -		APPLICATION SPEC 114-5258 (D-2 Series) 114-5148 (D-3 Series)	DRAWING NO C=1827538	RESTRICTED TO -
FINISH -		WEIGHT -	SCALE SHEET OF REV B1	
CUSTOMER DRAWING				